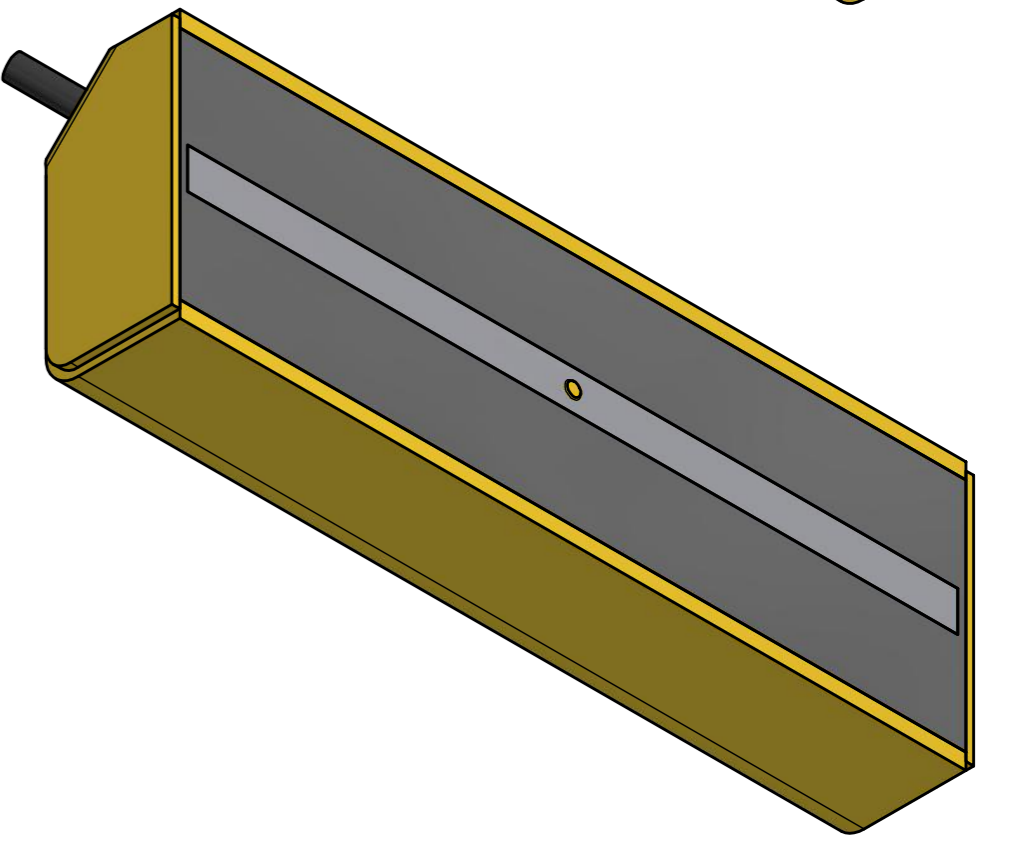
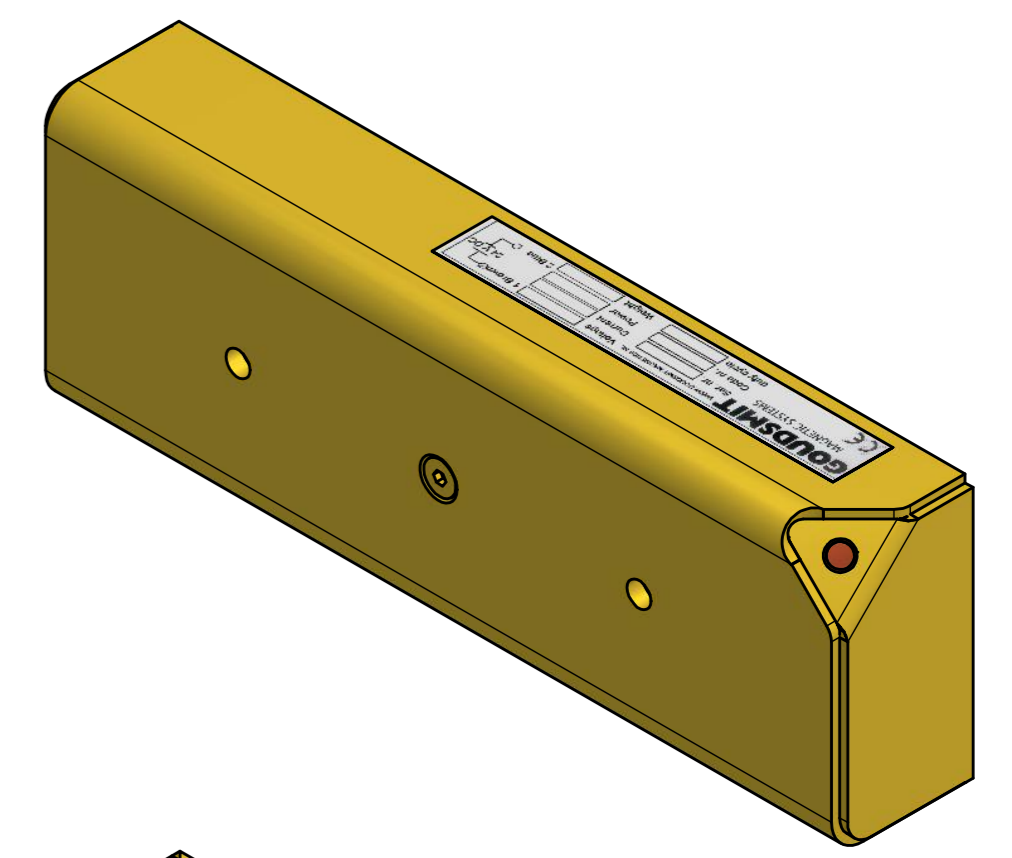
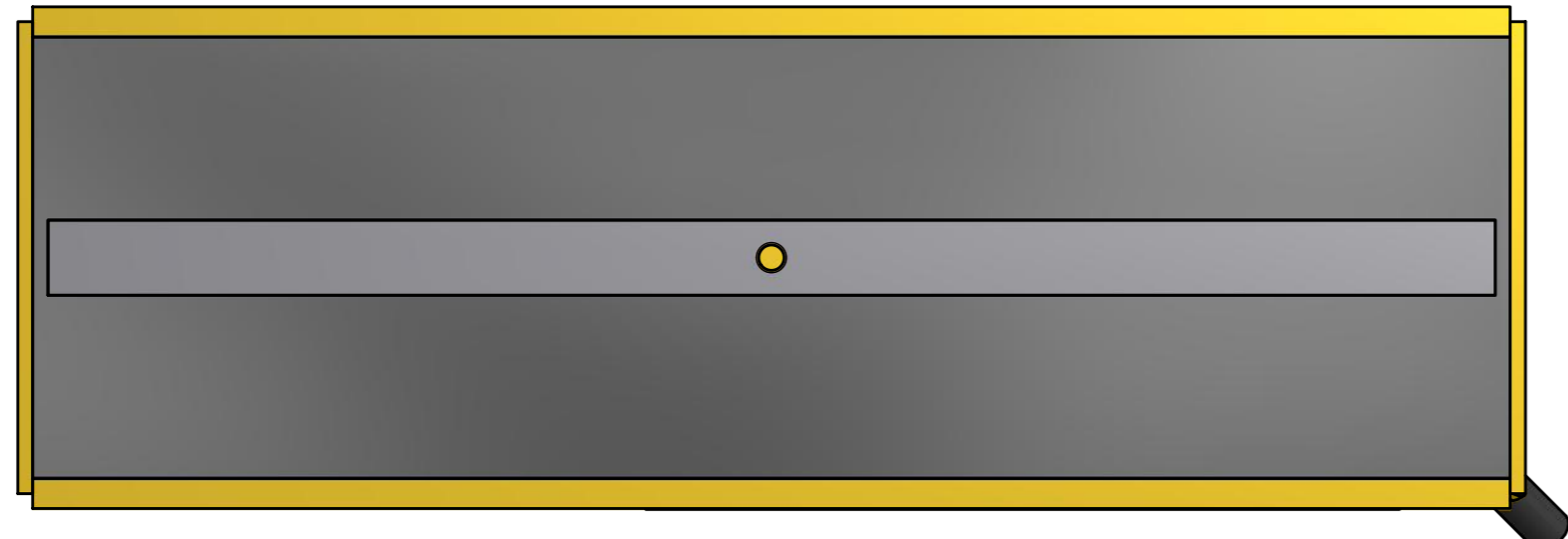
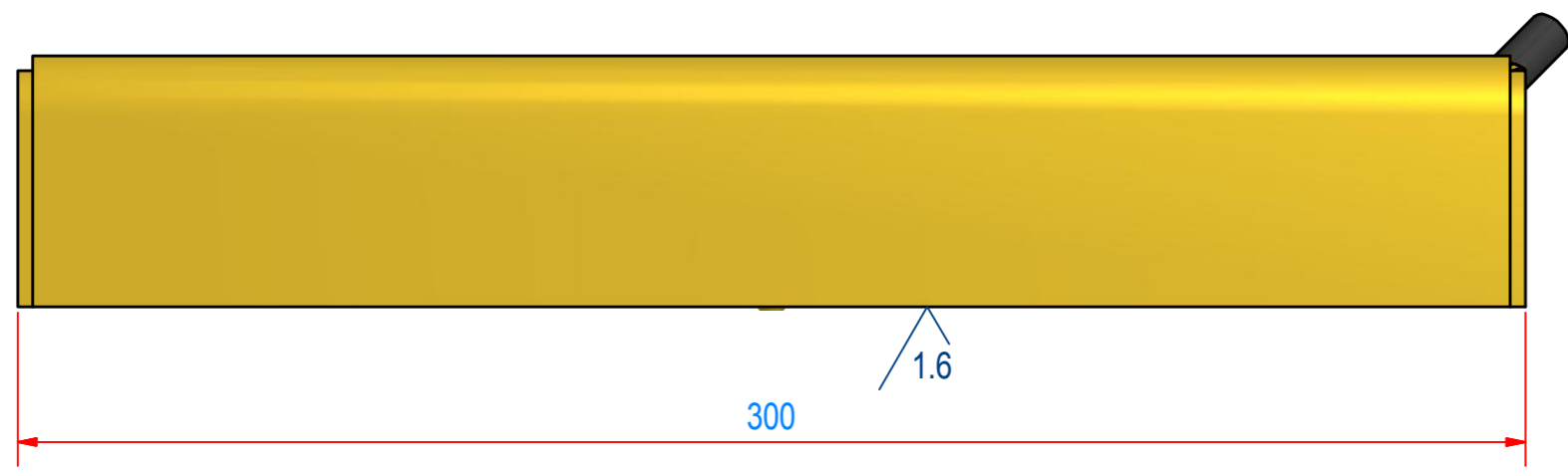
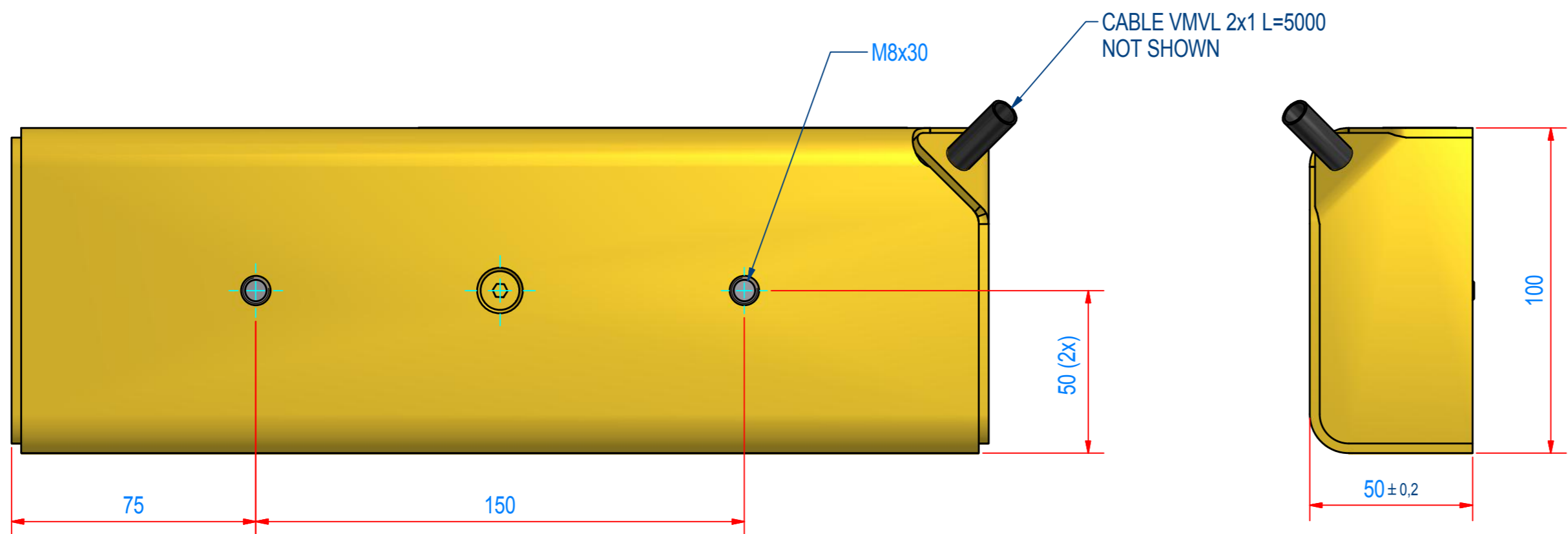
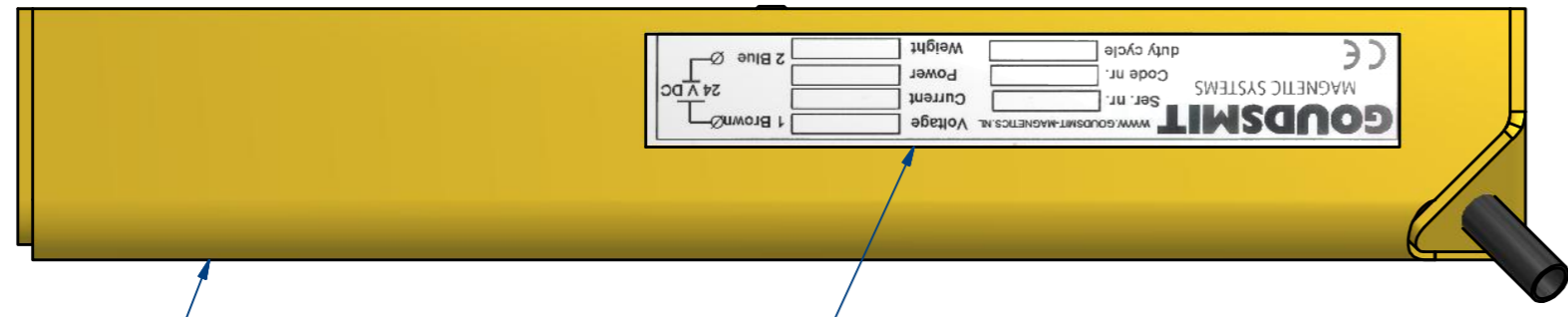


REV	DATE	BY	DESCRIPTION
-	5-3-2014	BS	NEW VAULT, NOTHING CHANGED, IS EQUAL TO OLD REVISION A



ITEM	QTY	PART NUMBER	DESCRIPTION	Dimensions
2	1	M59957	STICKER ELECTRO ROD	
1	1	A190477	ELECTRO ROD ASSY C L=300	

RAW MAT.	QTY	MAT. NUMBER	MAT. DESCRIPTION	LENGTH (mm)	WIDTH (mm)
1	1				

Sheet: A2	Extra info: 24V, 52W, 2.16A	General tolerance: ISO 2768- mK
Drawn: PB	Weight (kg): 10,2	Drawn according: ISO268; ISO1101; ISO2553
Date: 29-10-2012		Status: Standard
Spare part: False		Customer reference number:
Quick search: EHKAC0300		File number: EHKAC03000
Description: HEB-100x50-0300-GC		Part number: EHKAC03000