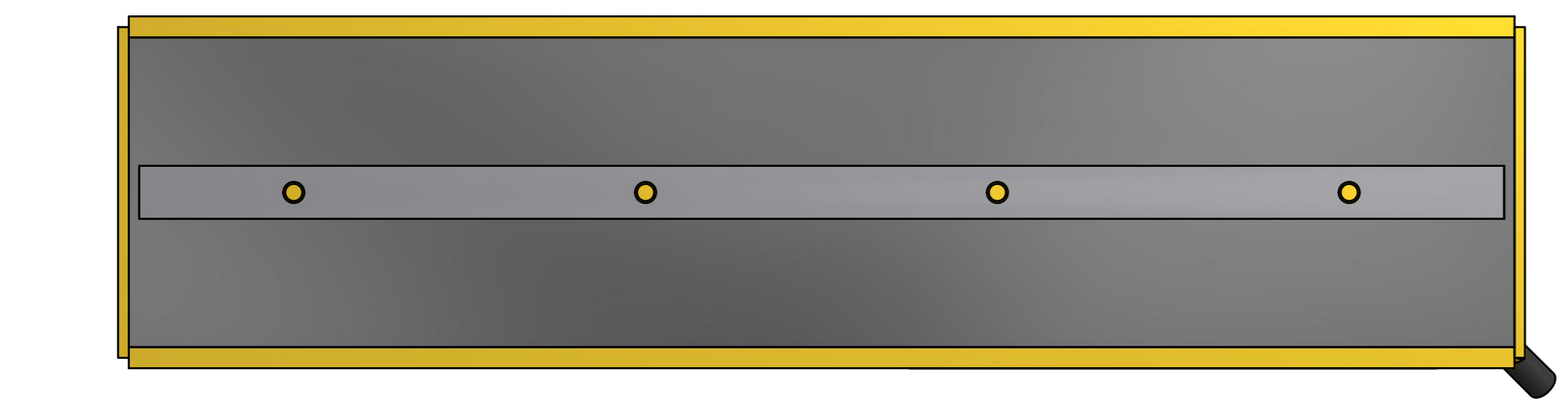
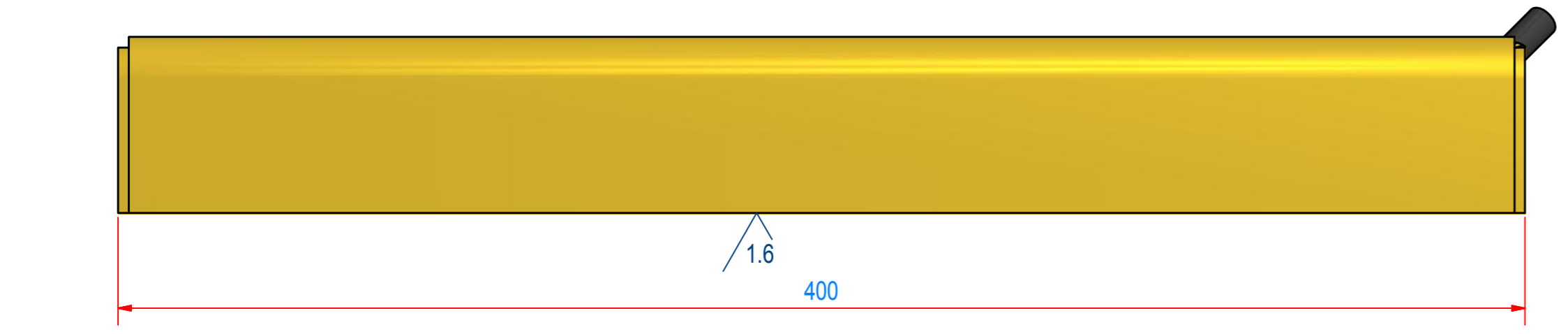
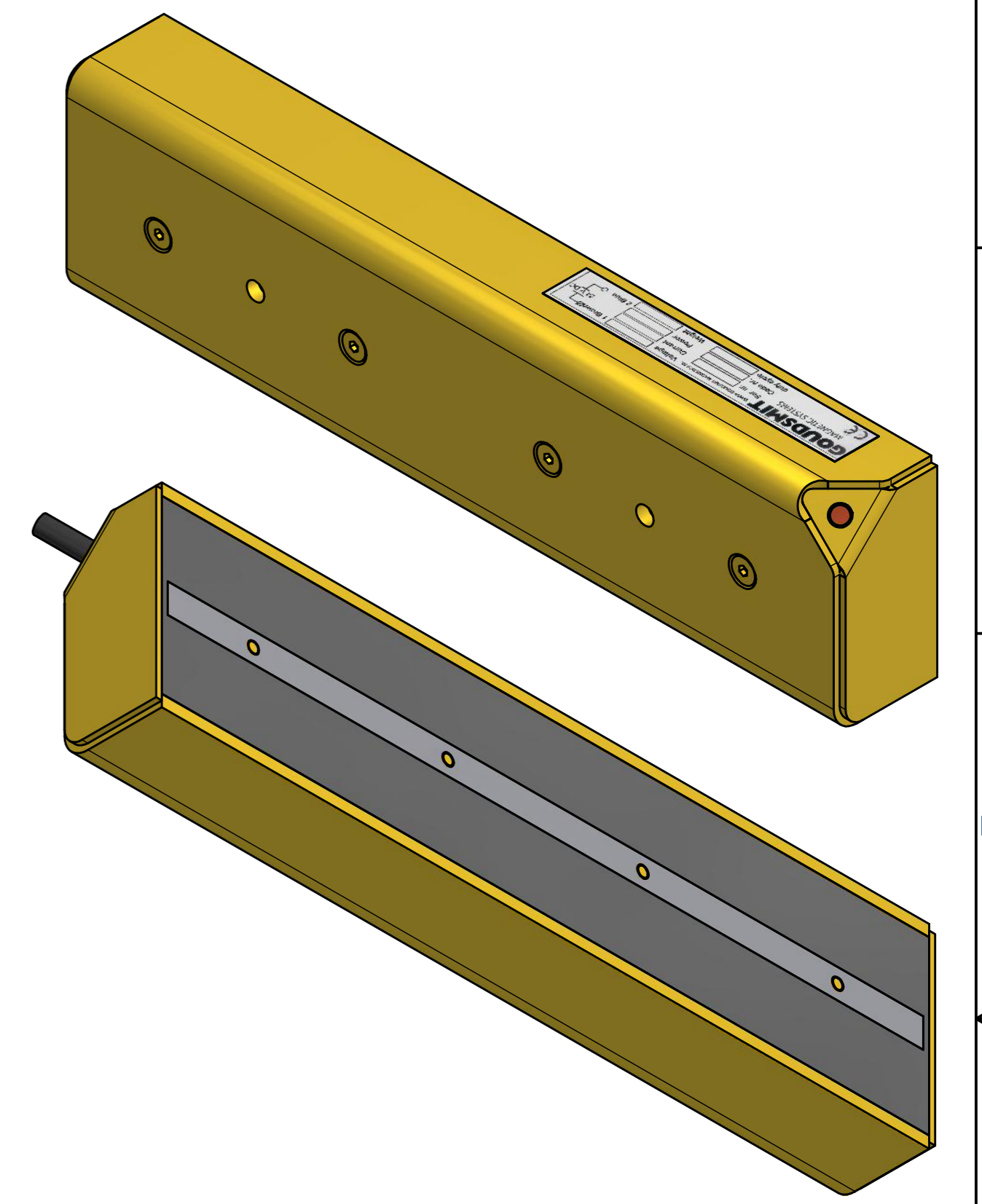
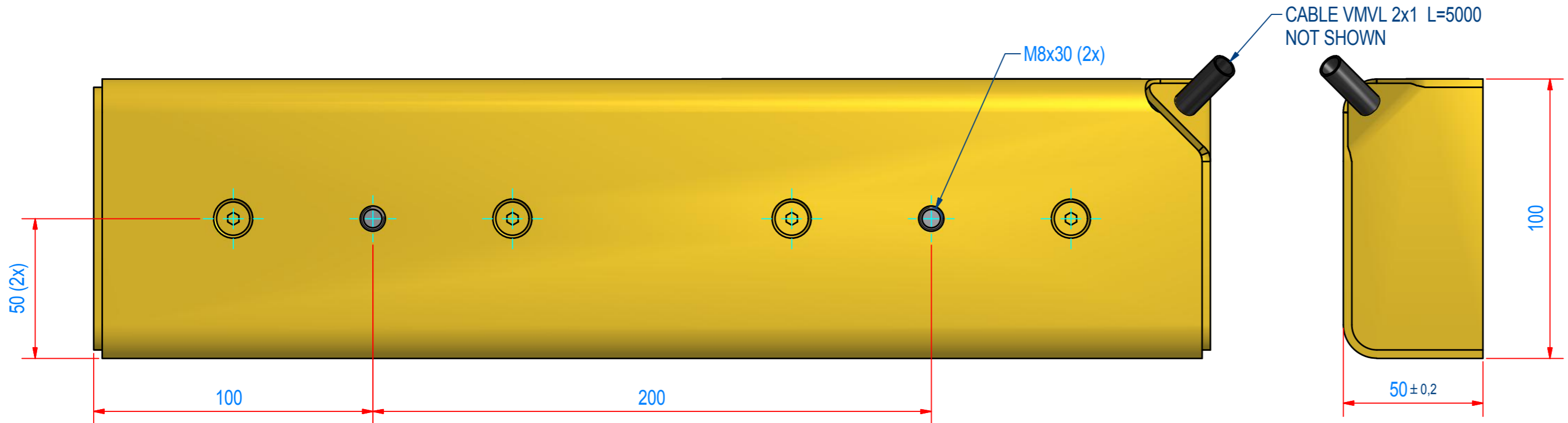
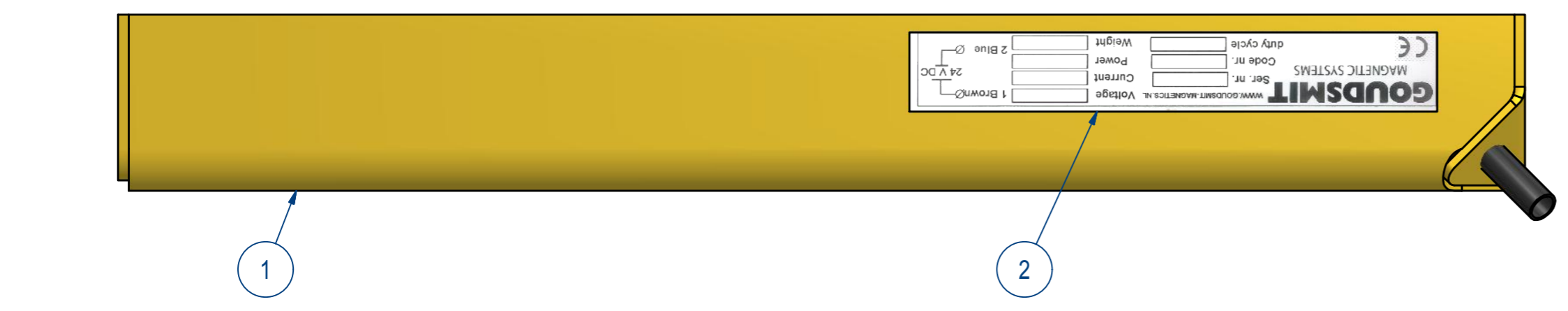


REV	DATE	BY	DESCRIPTION
-	5-3-2014	BS	NEW VAULT, NOTHING CHANGED, IS EQUAL TO OLD REVISION B



ITEM	QTY	PART NUMBER	DESCRIPTION	Dimensions
2	1	M59957	STICKER ELECTRO ROD	
1	1	A190113	ELECTRO ROD ASSY C L=400	
RAW MAT.	1			LENGTH (mm) WIDTH (mm)
Sheet: A2			Extra info: 24V, 52W, 2.16A, 50% Max	General tolerance: ISO 2768- mK
Drawn: PB			Weight (kg): 12,9	Drawn according: ISO268; ISO1101; ISO2553
Date: 22-2-2011				Status: Standard
Spare part: False				Customer reference number:
Quick search: EHKAO400			© All rights reserved. Reproduction is not permitted without written permission of GOUDSMIT Magnetic Systems BV	File number: EHKAC04000 Rev: -
Description: HEB-100x50-0400-GC				Part number: EHKAC04000 Rev: -