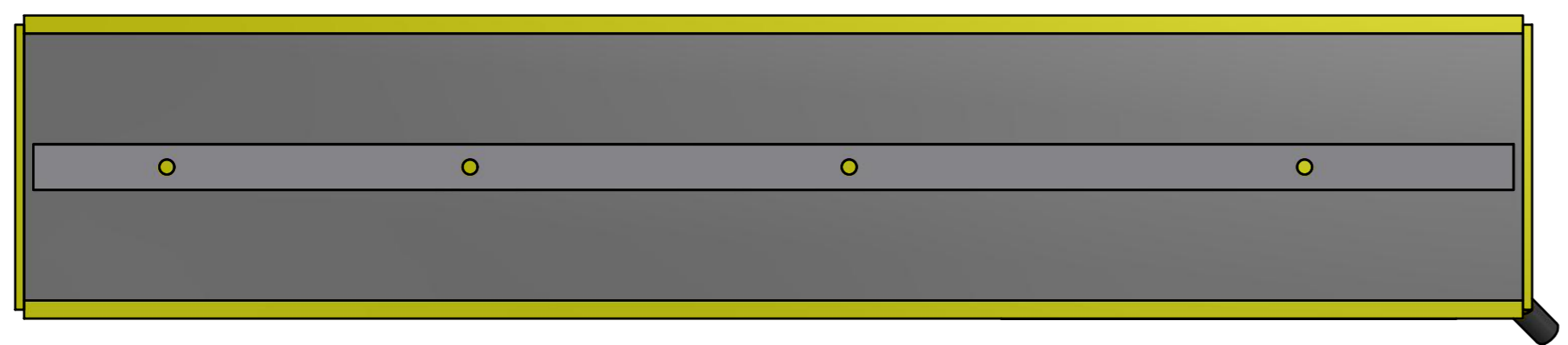
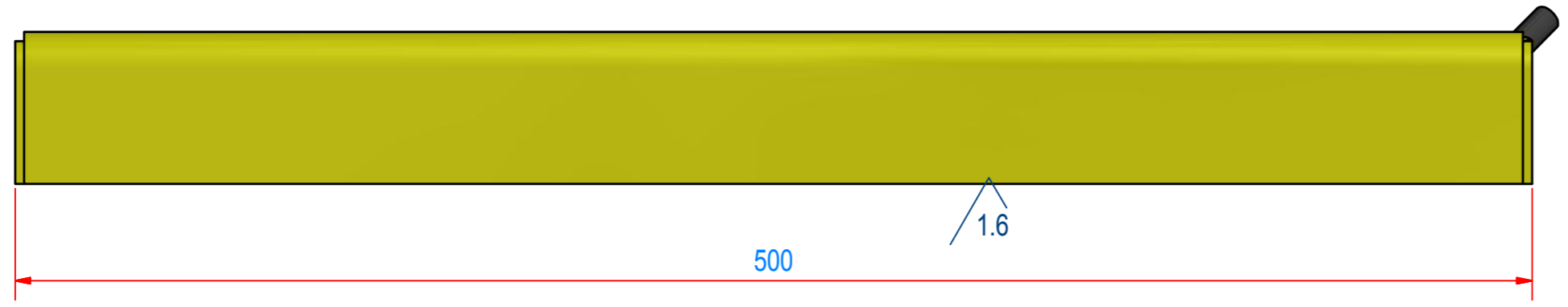
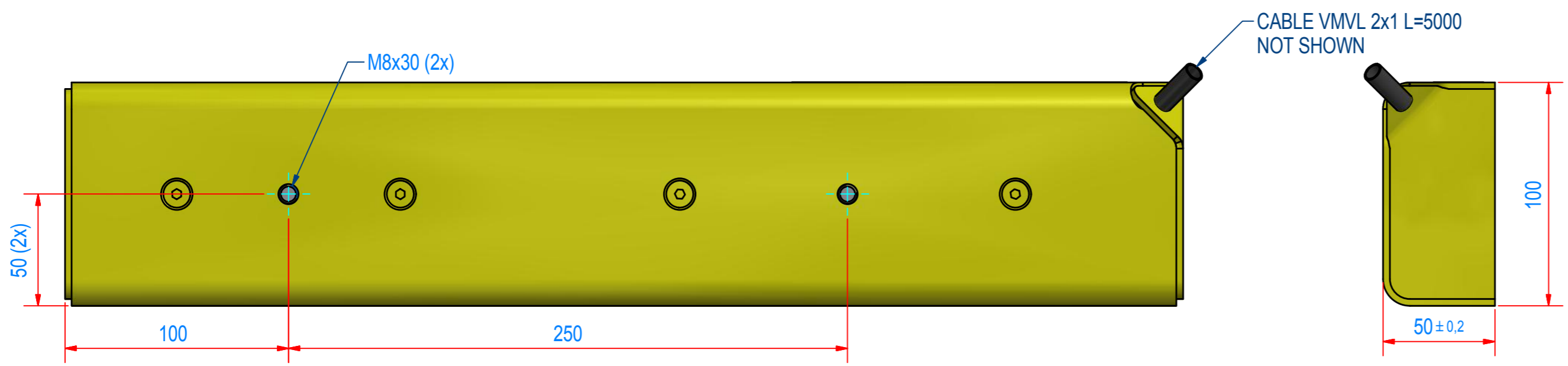
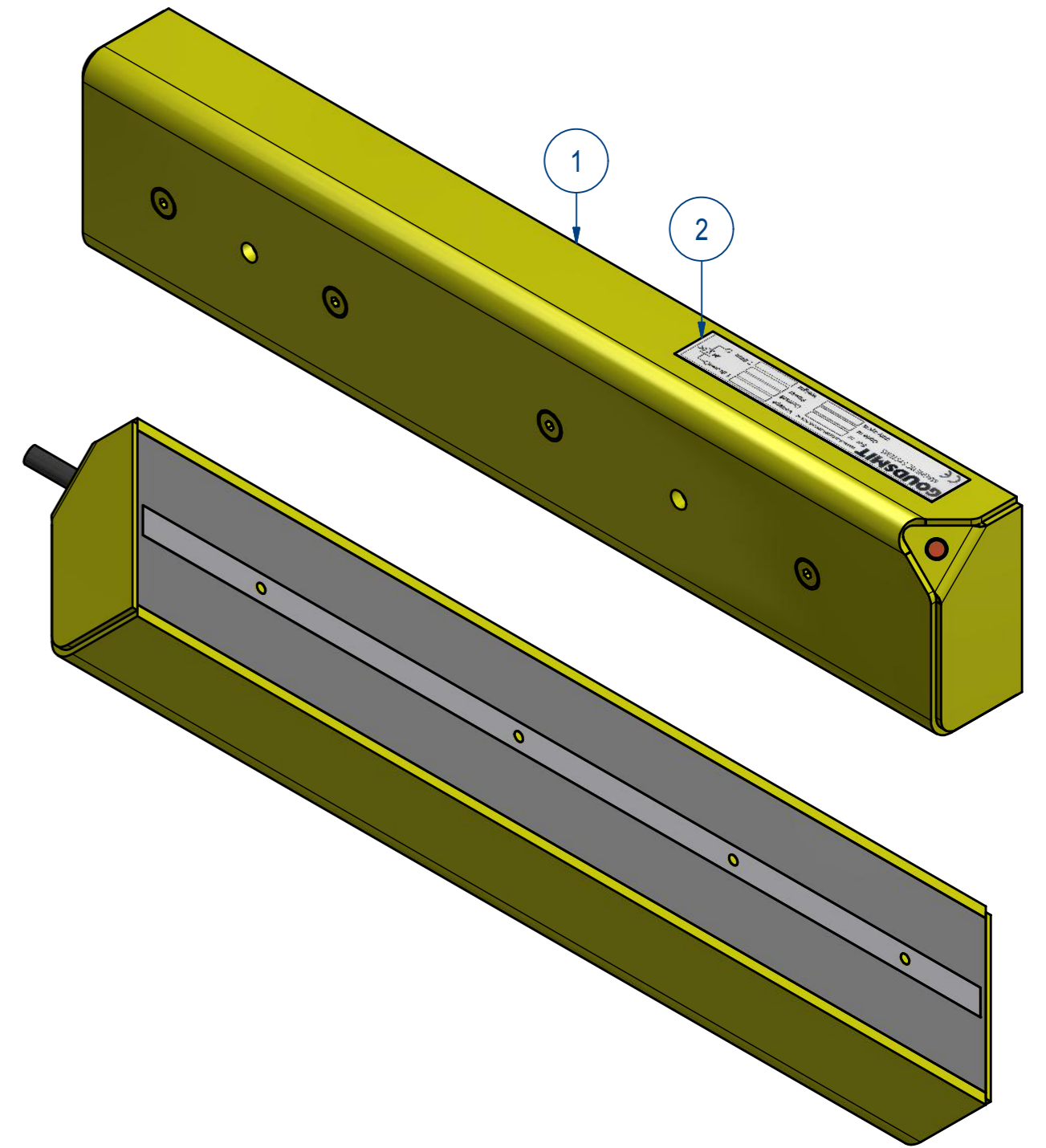


REV	DATE	BY	DESCRIPTION
-	31-7-2013	PB	NEW VAULT, NEW REVISION. NOTHING CHANGED. OLD REV WAS B



ITEM	QTY	PART NUMBER	DESCRIPTION	Dimensions
2	1	M59957	STICKER ELECTRO ROD	
1	1	A190170	ELECTRO ROD ASSY C L=500	

RAW MAT.	QTY	MAT. NUMBER	MAT. DESCRIPTION	LENGTH (mm)	WIDTH (mm)
	1				

Sheet: <b>A2</b>	Extra info: <b>24V, 97W, 4.05A</b>	General tolerance: <b>ISO 2768- mK</b>
Drawn: <b>PB</b>	Weight (kg): <b>16,2</b>	Duty cycle: <b>50%, max 10 min.</b>
Date: <b>31-7-2013</b>	Drawn according: <b>ISO268; ISO1101; ISO2553</b>	
Spare part: <b>False</b>	Status: <b>Standard</b>	
Quick search: <b>EHKA0500</b>	Customer reference number:	
Description: <b>HEB-100x50-0500-GC</b>	File number: <b>EHKAC05000</b>	Rev: <b>-</b>
	Part number: <b>EHKAC05000</b>	Rev: <b>-</b>