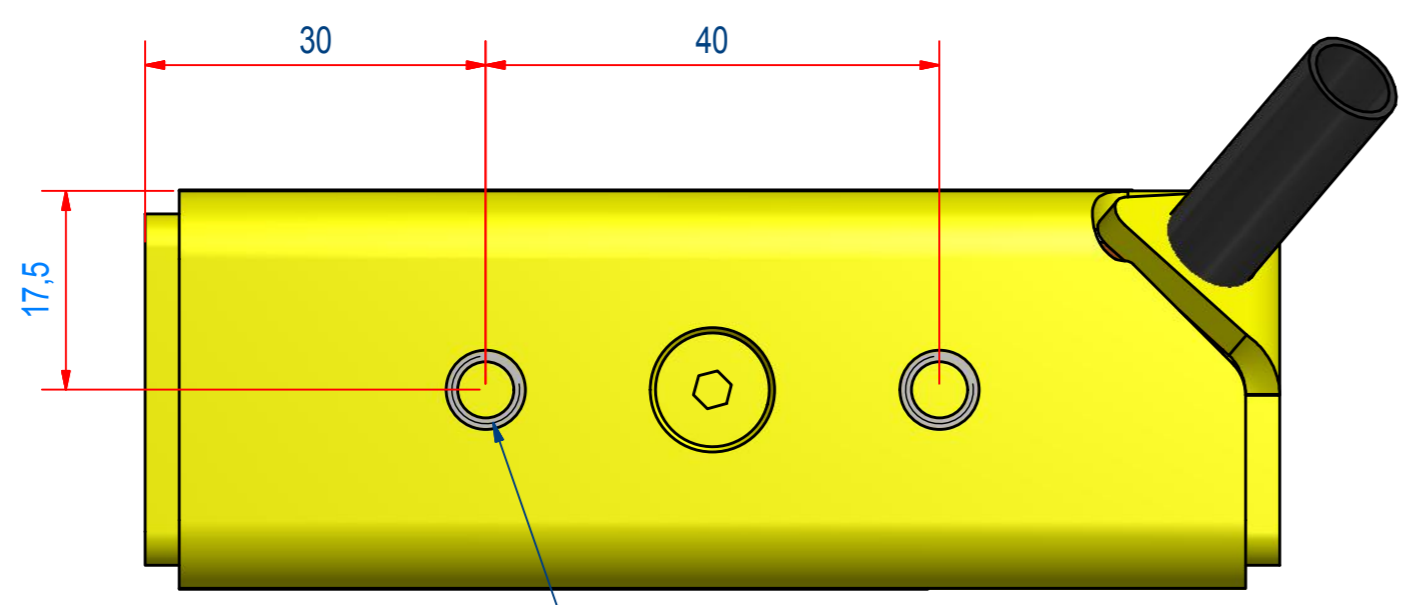
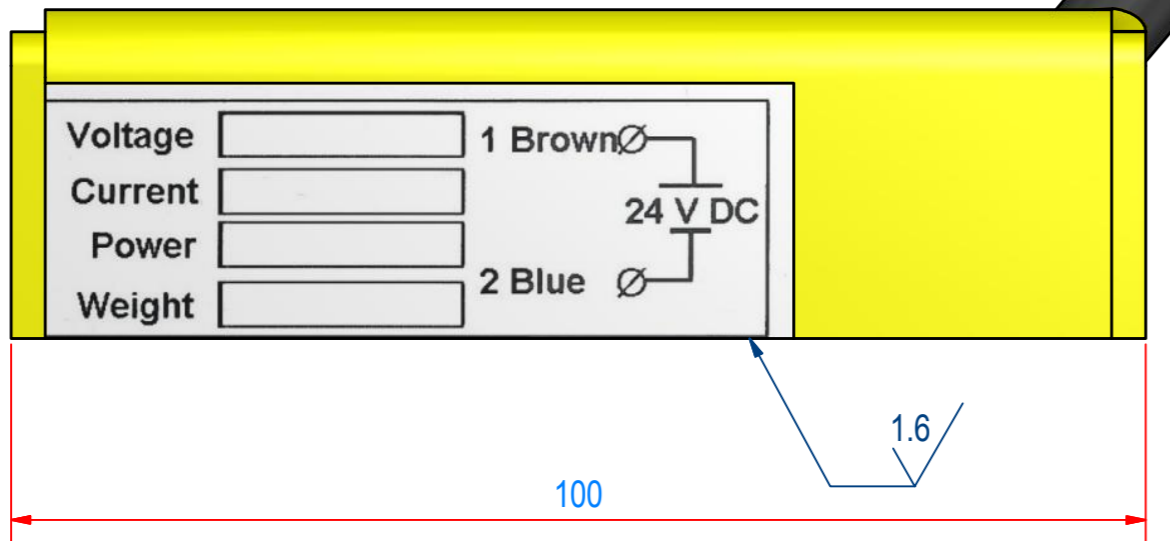


REV	DATE	BY	DESCRIPTION
-	25-2-2014	BS	CONVERTED TO INVENTOR



M6 (2x)

CABLE VMVL 2x0,75 L=5000 mm NOT SHOWN

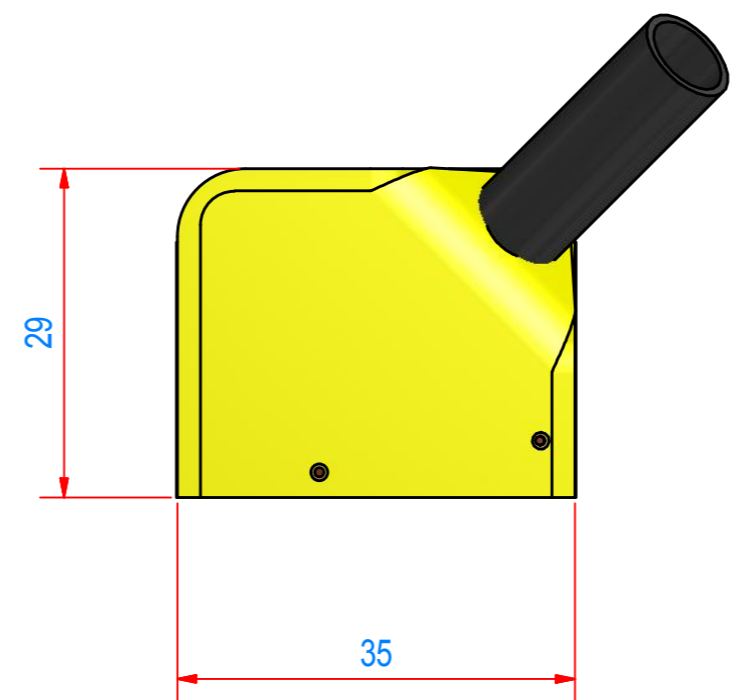


Voltage 1 Brown
 Current
 Power
 Weight 2 Blue

24 V DC

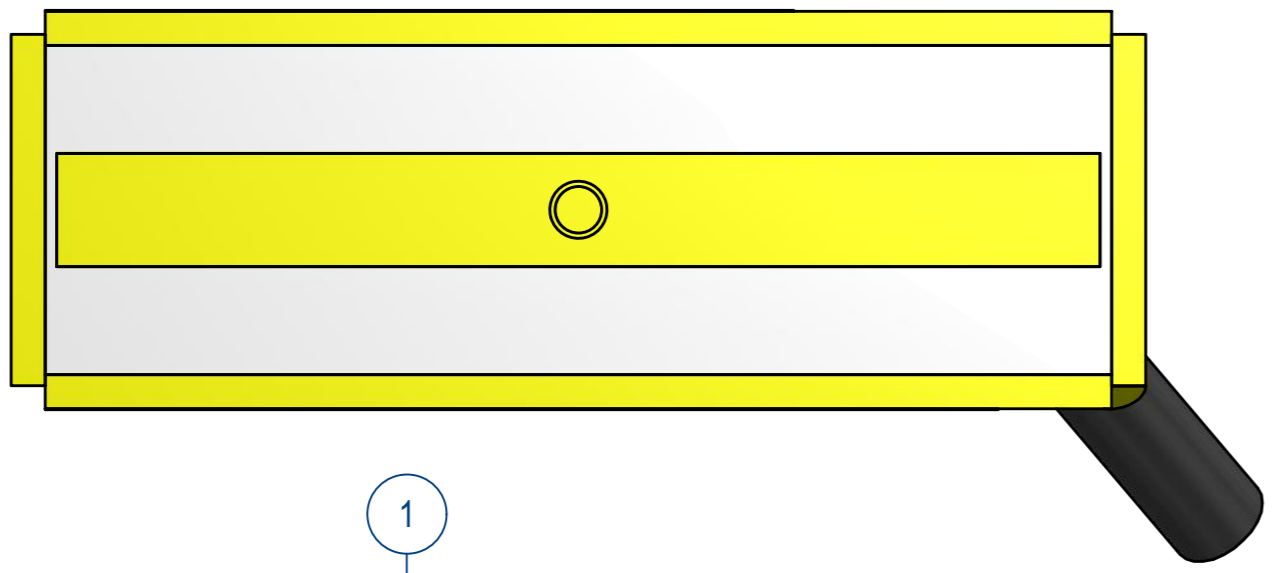
1.6

100



29

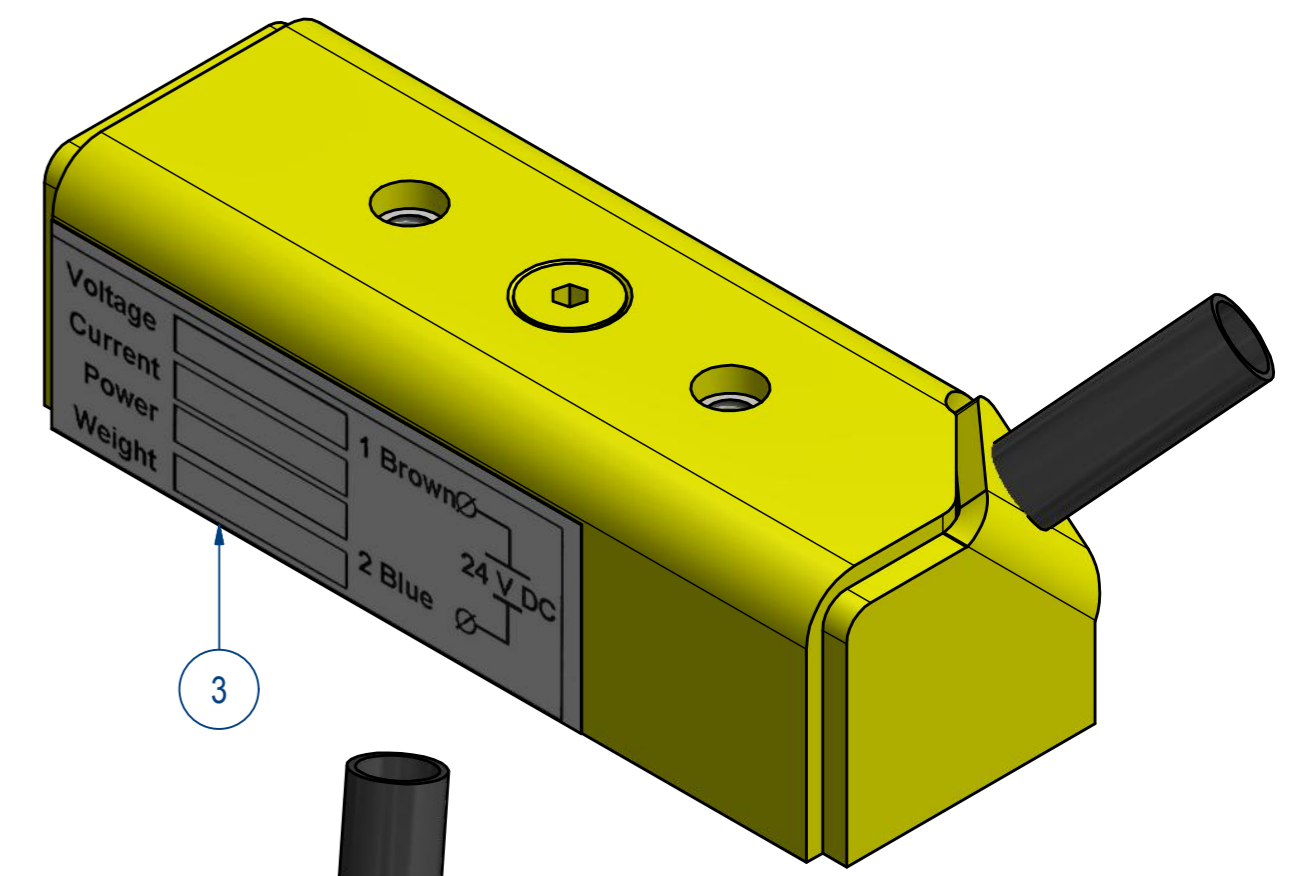
35



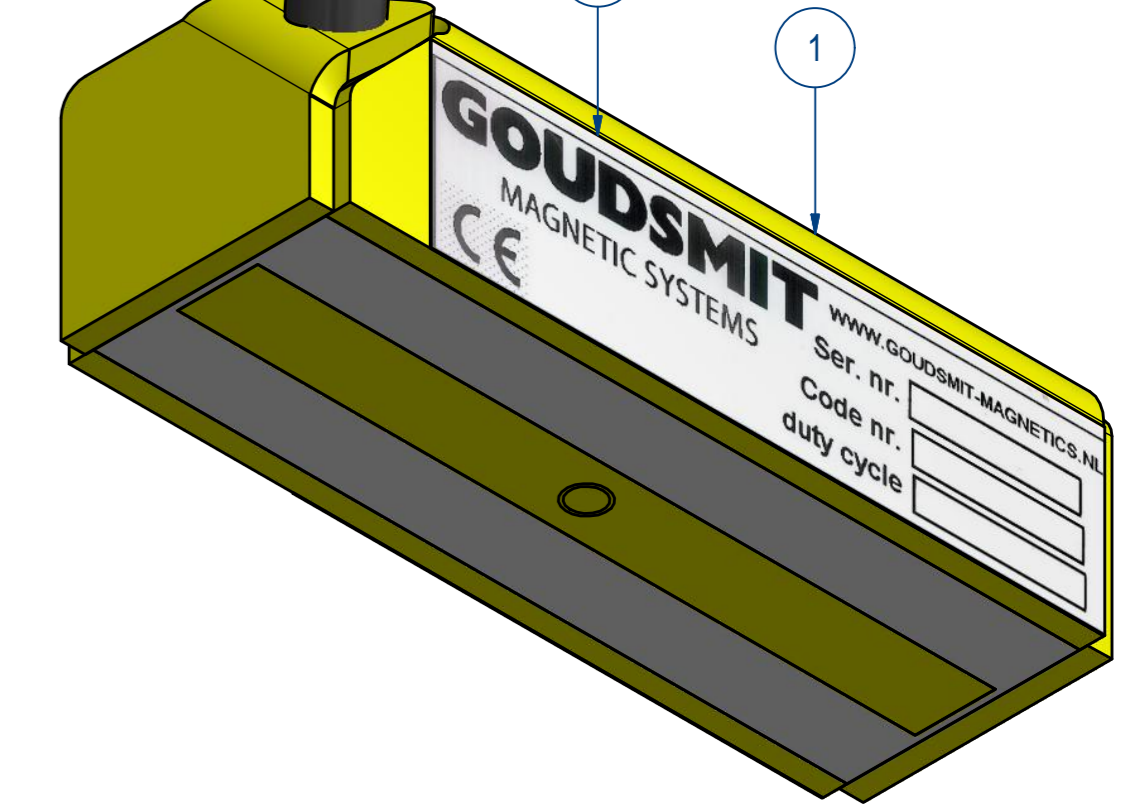
1



www.GOUDSMIT-MAGNETICS.NL
GOUDSMIT
 MAGNETIC SYSTEMS
 Ser. nr.
 Code nr.
 duty cycle



3



2

1

ITEM	QTY	PART NUMBER	DESCRIPTION	Dimensions
3	1	E0013803	STICKER M59957 RIGHT PART	
2	1	E0013801	STICKER M59957 LEFT PART	
1	1	M69792	ASSEMBLY ELECTRO ROD D L=100	

RAW MAT.	QTY	MAT. NUMBER	MAT. DESCRIPTION	LENGTH (mm)	WIDTH (mm)
1	1				

Sheet: A2	Extra info: <i>Duty cycle: 50%,MAX</i>	General tolerance: ISO 2768- mK
Drawn: BS	Weight (kg): 0,7	Drawn according: ISO268; ISO1101; ISO2553
Date: 25-2-2014		Status: Standard
Spare part: False		Customer reference number:
Quick search: EHKA0100	© All rights reserved. Reproduction is not permitted without written permission of GOUDSMIT Magnetic Systems BV	File number: EHKAD01000
Description: HEB-035x30-0100-GC		Part number: EHKAD01000