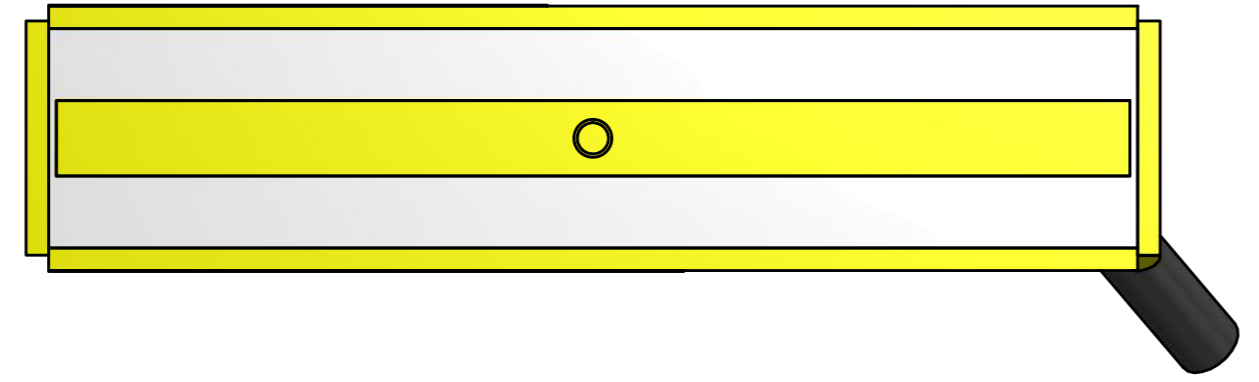
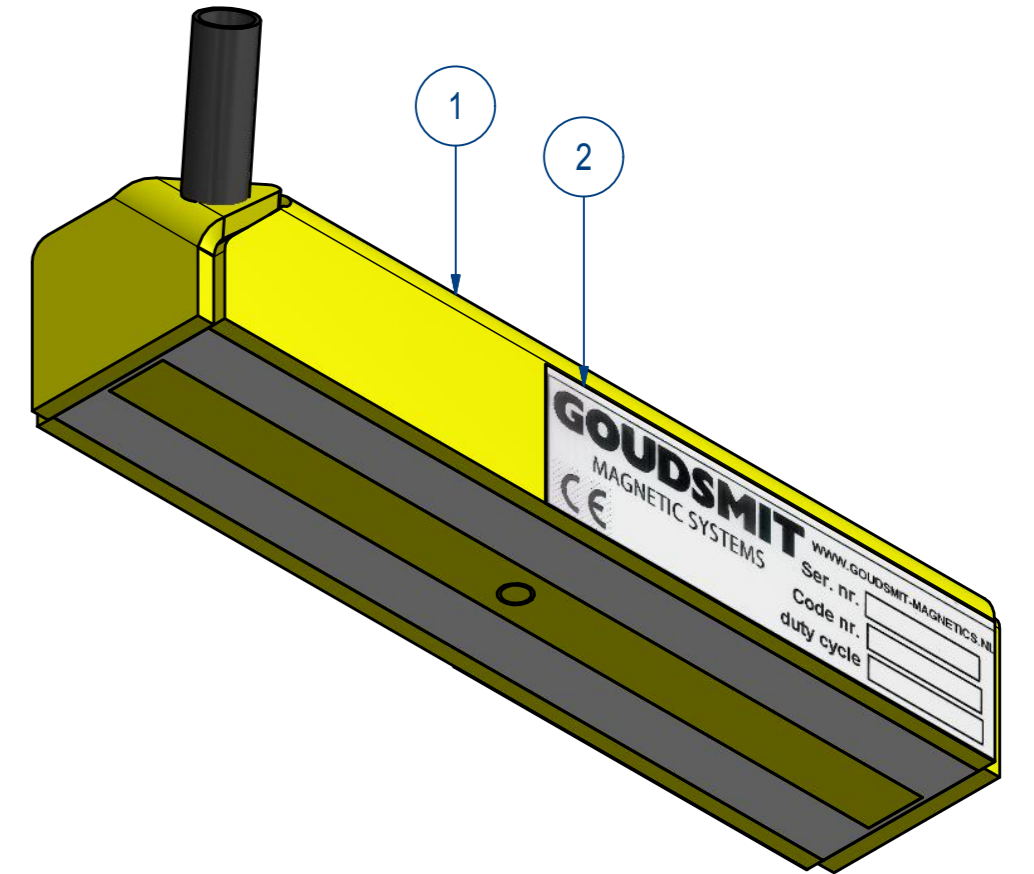
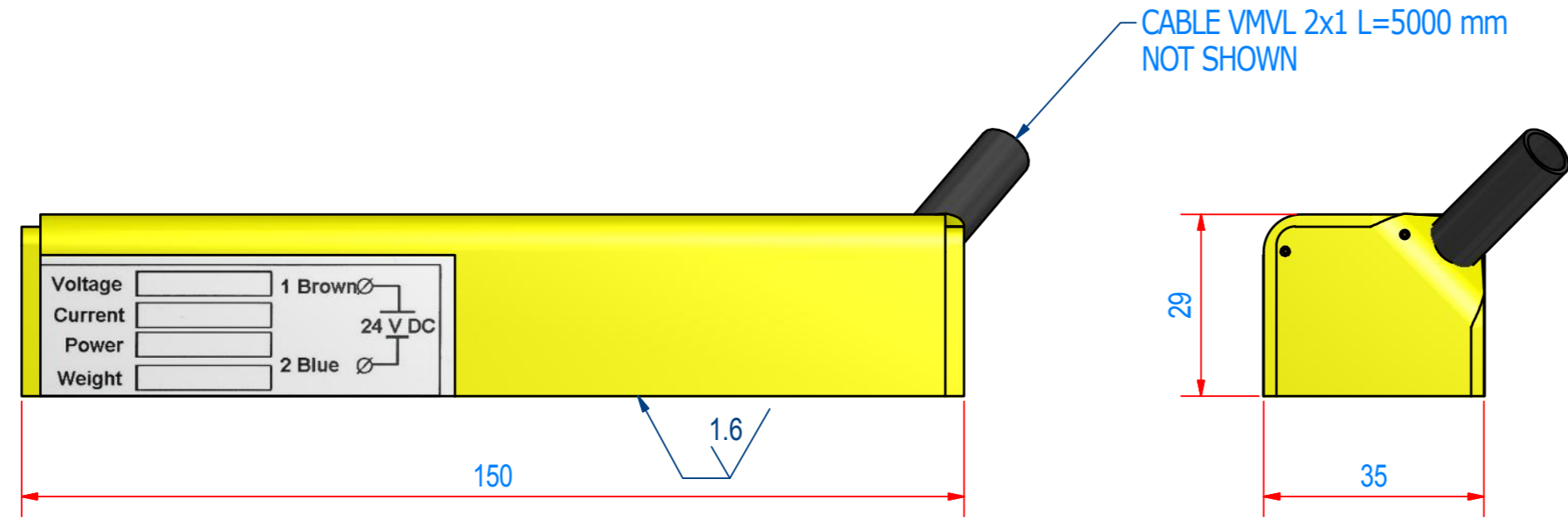
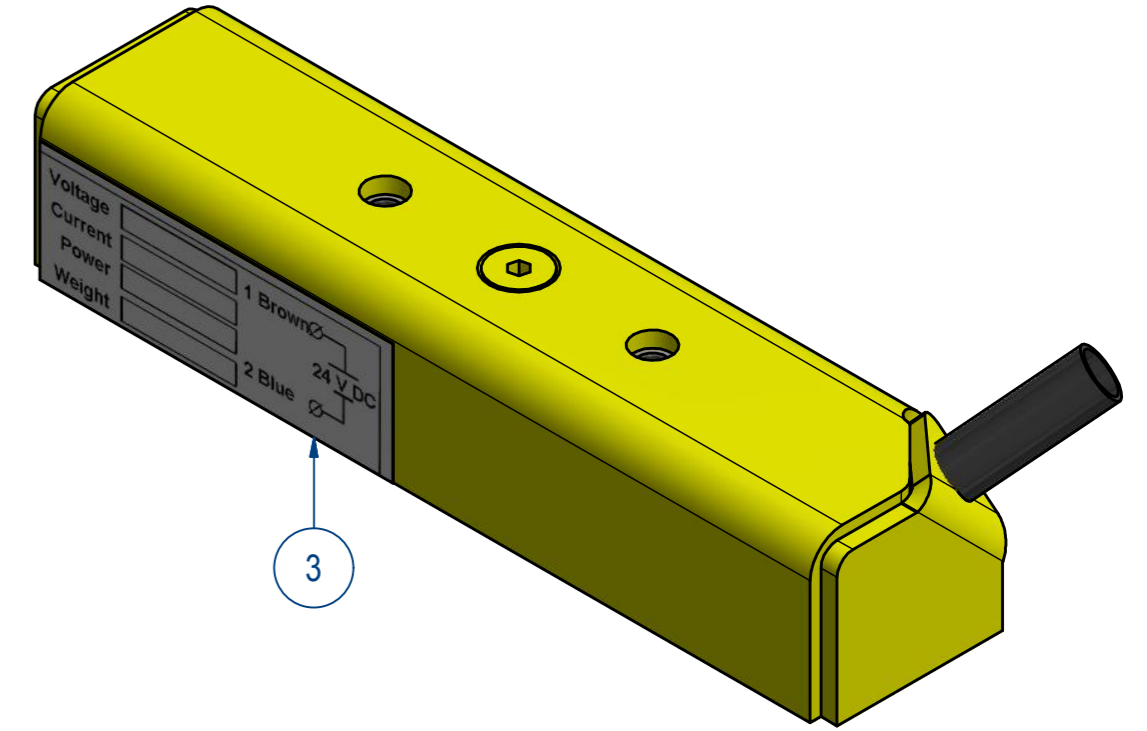
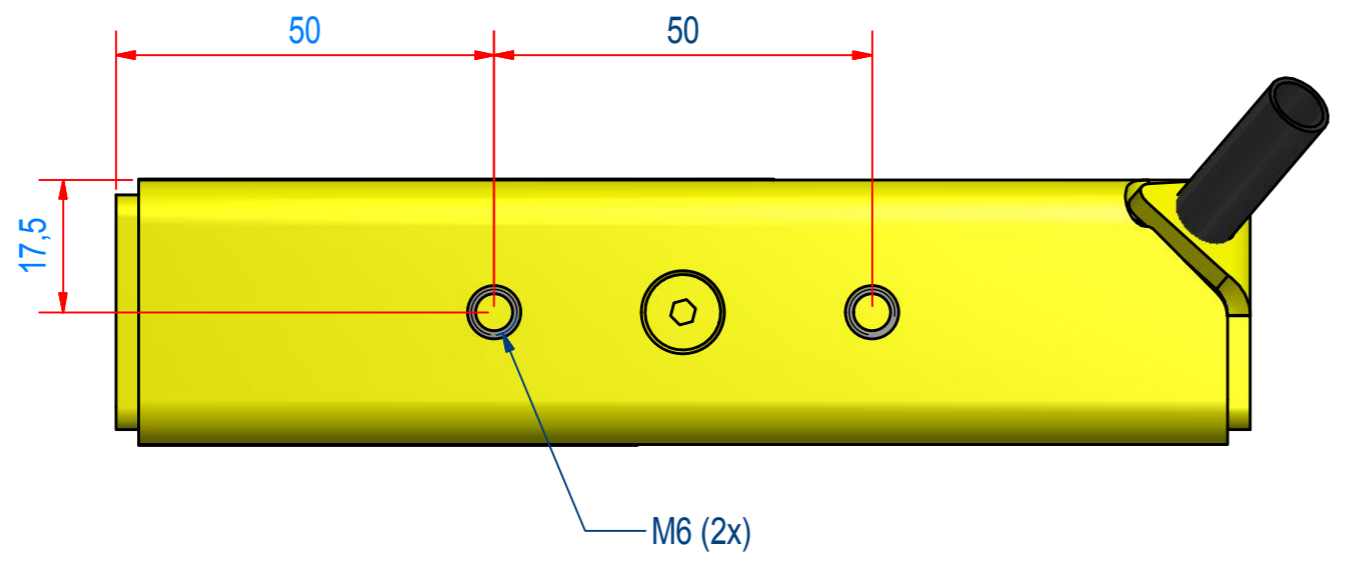


REV	DATE	BY	DESCRIPTION
-	26-2-2014	BS	CONVERTED TO INVENTOR



ITEM	QTY	PART NUMBER	DESCRIPTION	Dimensions
3	1	E0013803	STICKER M59957 RIGHT PART	
2	1	E0013801	STICKER M59957 LEFT PART	
1	1	M69856	ASSEMBLY ELECTRO ROD D L=150	

RAW MAT.	QTY	MAT. NUMBER	MAT. DESCRIPTION	LENGTH (mm)	WIDTH (mm)
⊕	1				

Sheet: A2	Extra info: Duty cycle 50% max	General tolerance: ISO 2768 - mK
Drawn: BS	Weight (kg): 1	Drawn according: ISO268; ISO1101; ISO2553
Date: 26-2-2014		Status: Standard
Spare part: False		Customer reference number:
Quick search: EHKAD0150		File number: EHKAD0150
Description: HEB-035x30-0150-GC		Part number: EHKAD0150