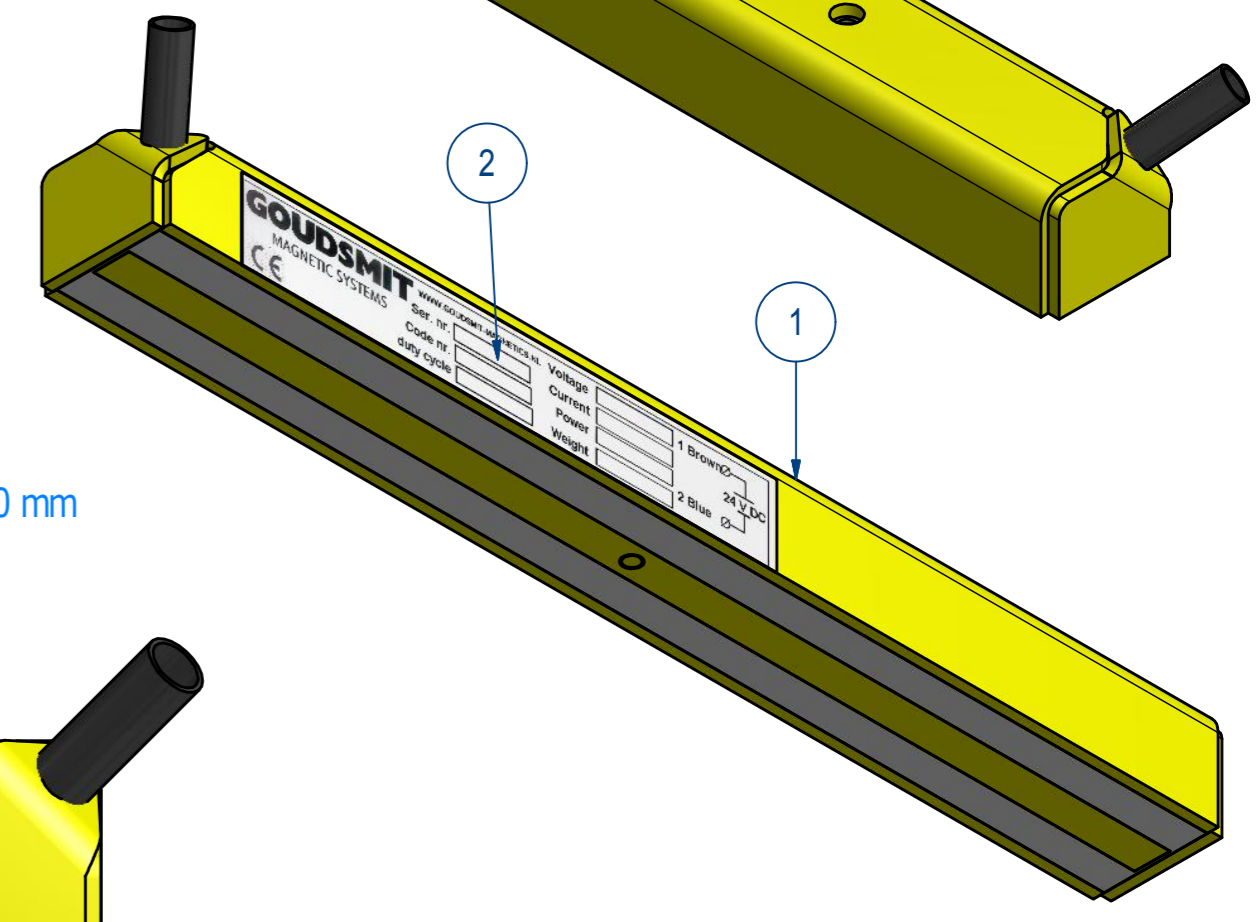
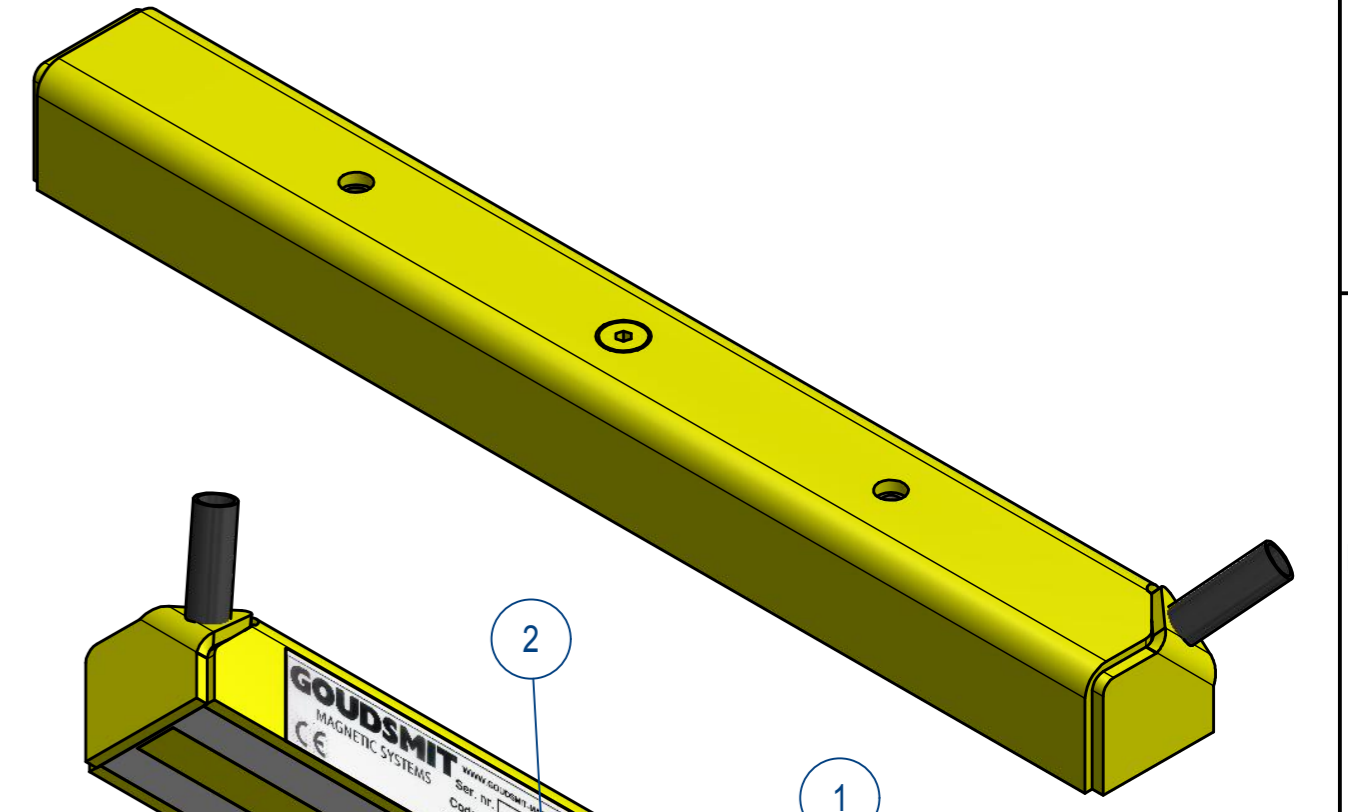
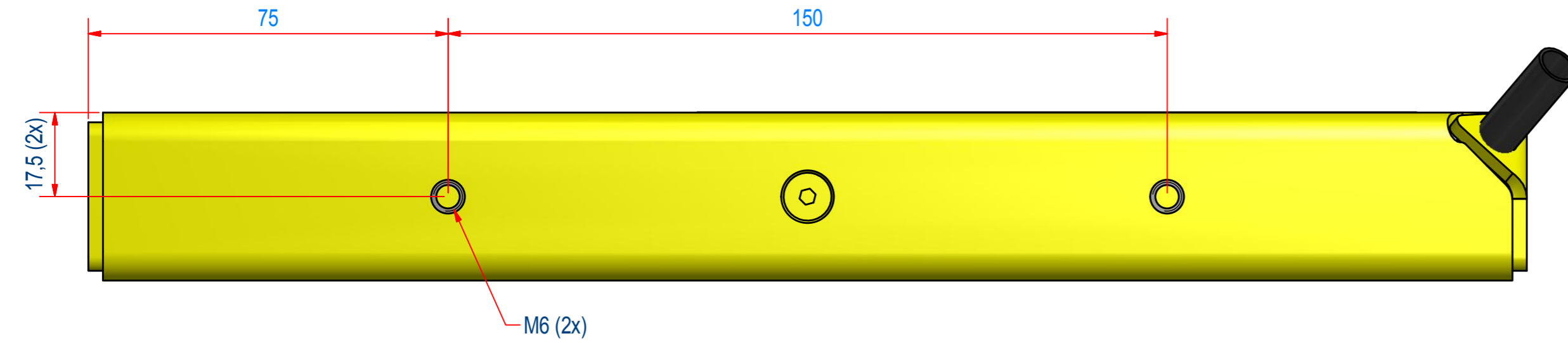
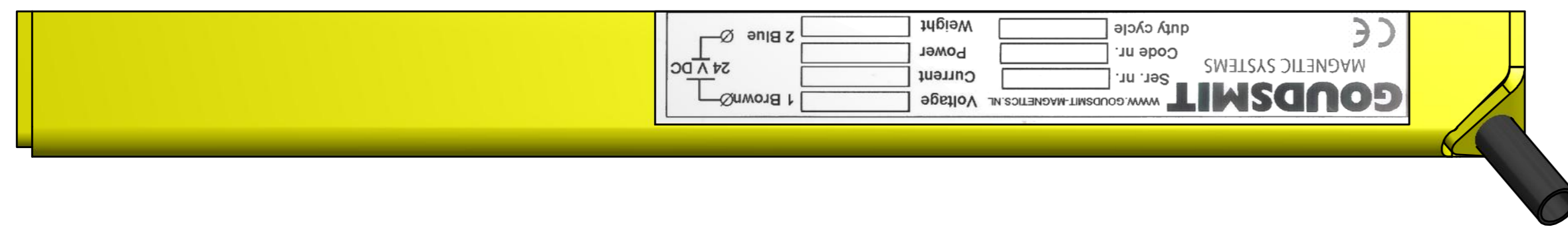
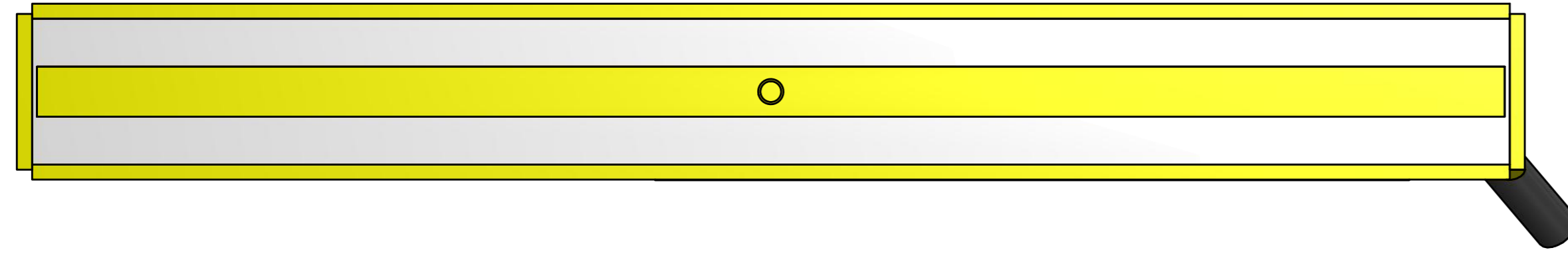
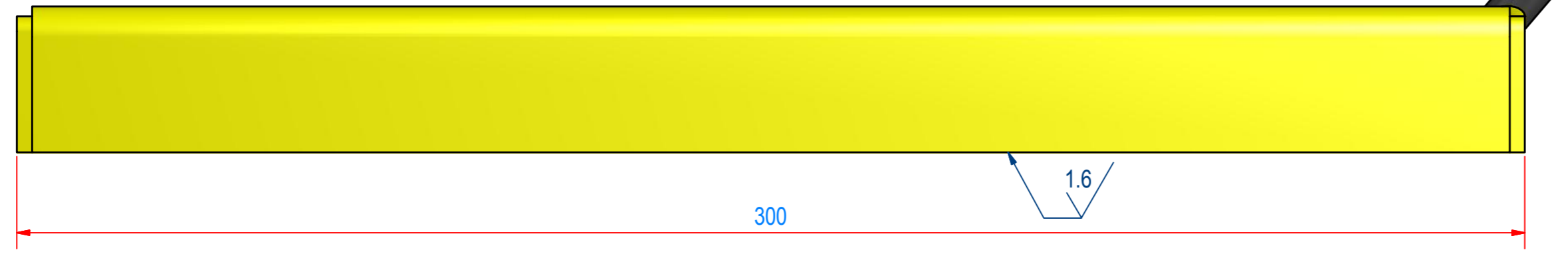
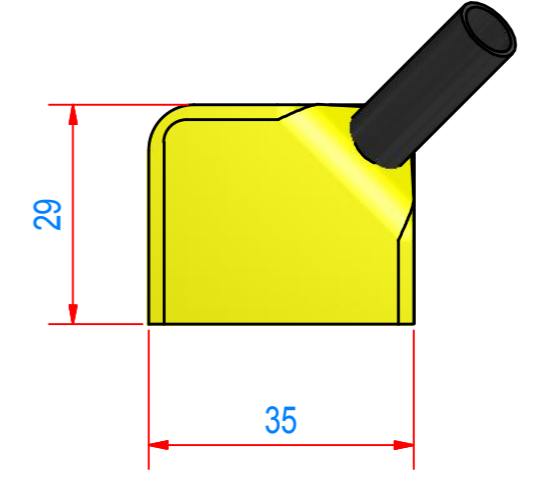


REV	DATE	BY	DESCRIPTION
-	24-2-2014	BS	NEW VAULT, NOTHING CHANGED, IS EQUAL TO OLD REVISION D



CABLE VMVL 2x1 L=5000 mm
NOT SHOWN



ITEM	QTY	PART NUMBER	DESCRIPTION	Dimensions
2	1	M59957	STICKER ELECTRO ROD	
1	1	M69520	ASSEMBLY ELECTRO ROD D L=300	

RAW MAT.	QTY	MAT. NUMBER	MAT. DESCRIPTION	LENGTH (mm)	WIDTH (mm)
1	1				

Sheet: A2	Extra info:	General tolerance: ISO 2768- mK
Drawn: PB	Weight (kg): 2,1	Drawn according: ISO268; ISO1101; ISO2553
Date: 2-10-2007		Status: Standard
Spare part: False		Customer reference number:
Quick search: EHKA0300	© All rights reserved. Reproduction is not permitted without written permission of Goudsmit Magnetic Systems BV	File number: EHKAD03000
Description: HEB-035x30-0300-GC		Part number: EHKAD03000