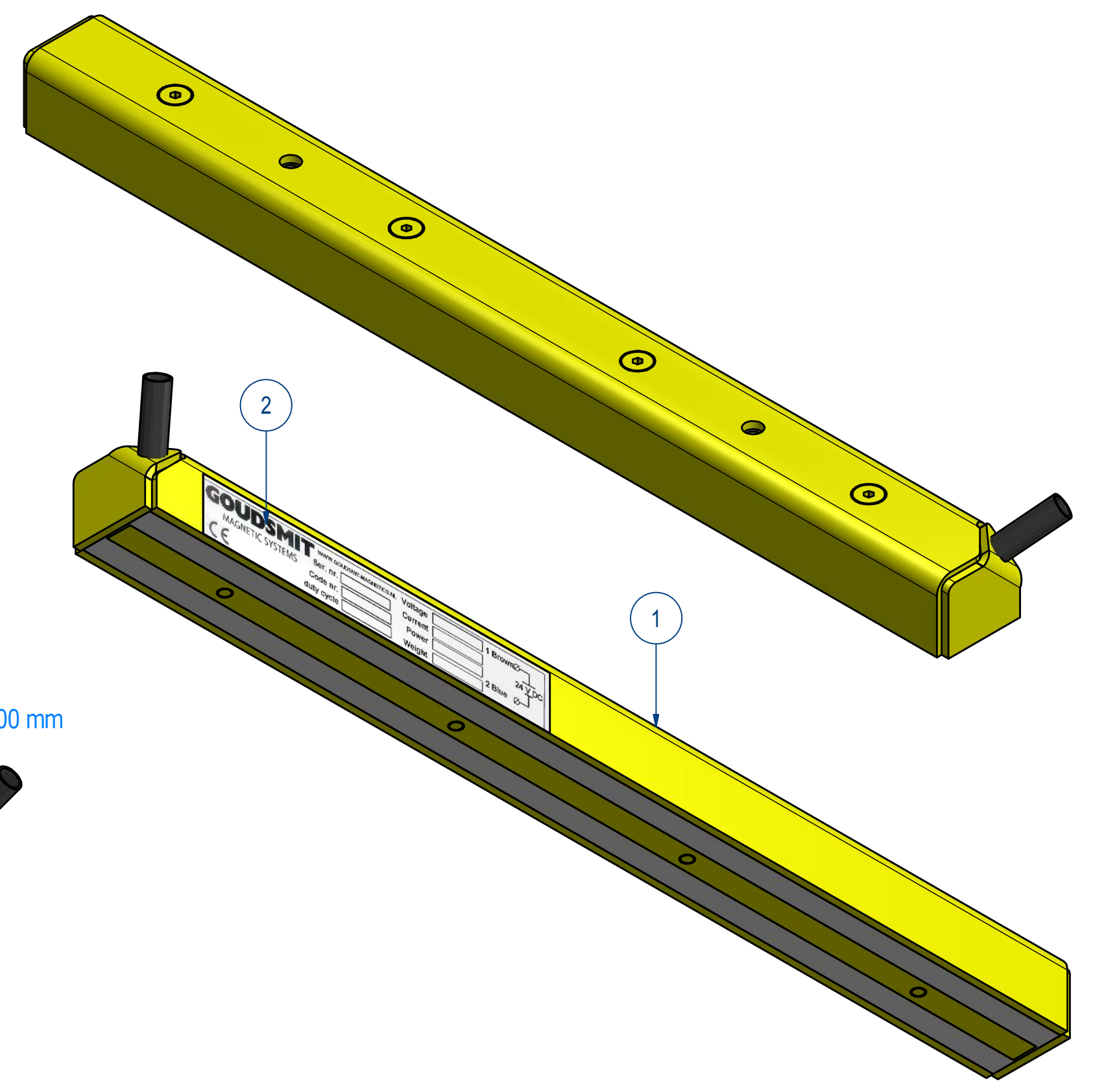
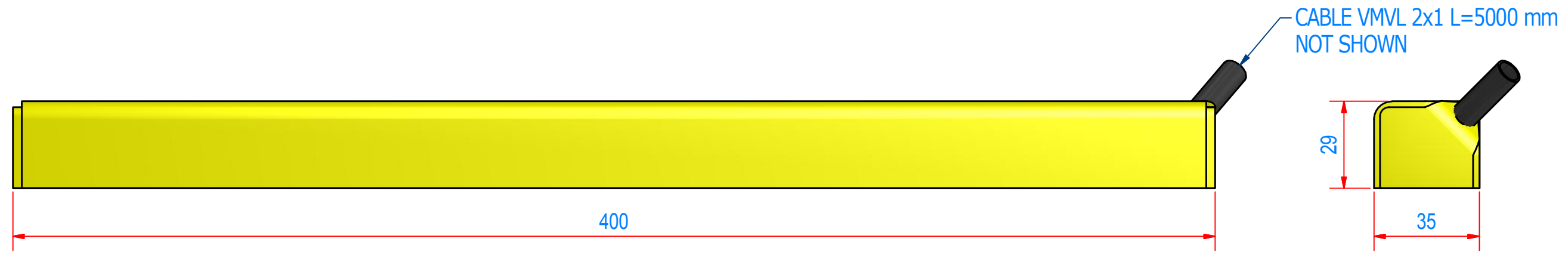
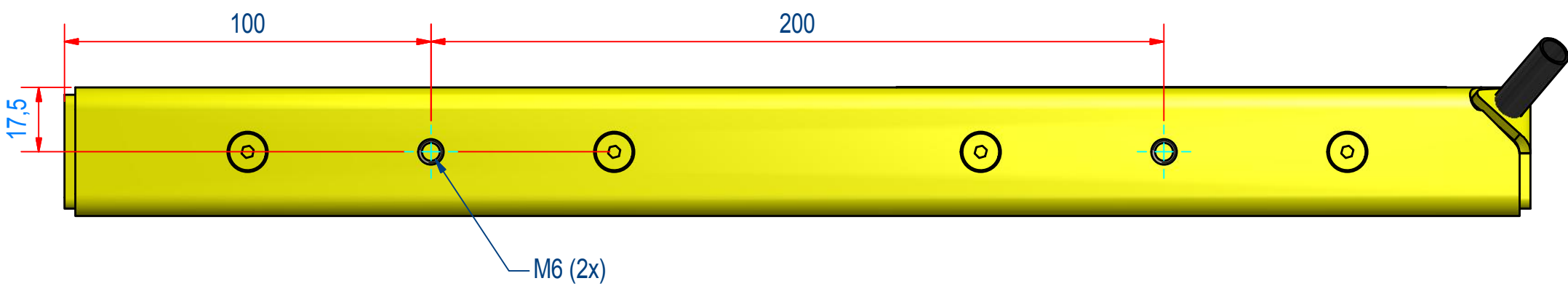


REV	DATE	BY	DESCRIPTION
-	28-2-2014	BS	CONVERTED TO INVENTOR



ITEM	QTY	PART NUMBER	DESCRIPTION	Dimensions
2	1	M59957	STICKER ELECTRO ROD	
1	1	E0013952	ASSEMBLY ELECTRO ROD D L=400	

RAW MAT.	QTY	MAT. NUMBER	MAT. DESCRIPTION	LENGTH (mm)	WIDTH (mm)
1	1				

Sheet: A2	Extra info: <i>Duty cycle 50% max.</i>	General tolerance: ISO 2768- mK
Drawn: BS	Weight (kg): 2,7	Drawn according: ISO268; ISO1101; ISO2553
Date: 27-2-2014		Status: Standard
Spare part: False		Customer reference number:
Quick search: EHKA0400	© All rights reserved. Reproduction is not permitted without written permission of Goudsmit Magnetic Systems BV	File number: EHKA04000
Description: HEB-035x30-0400-GC		Part number: EHKA04000