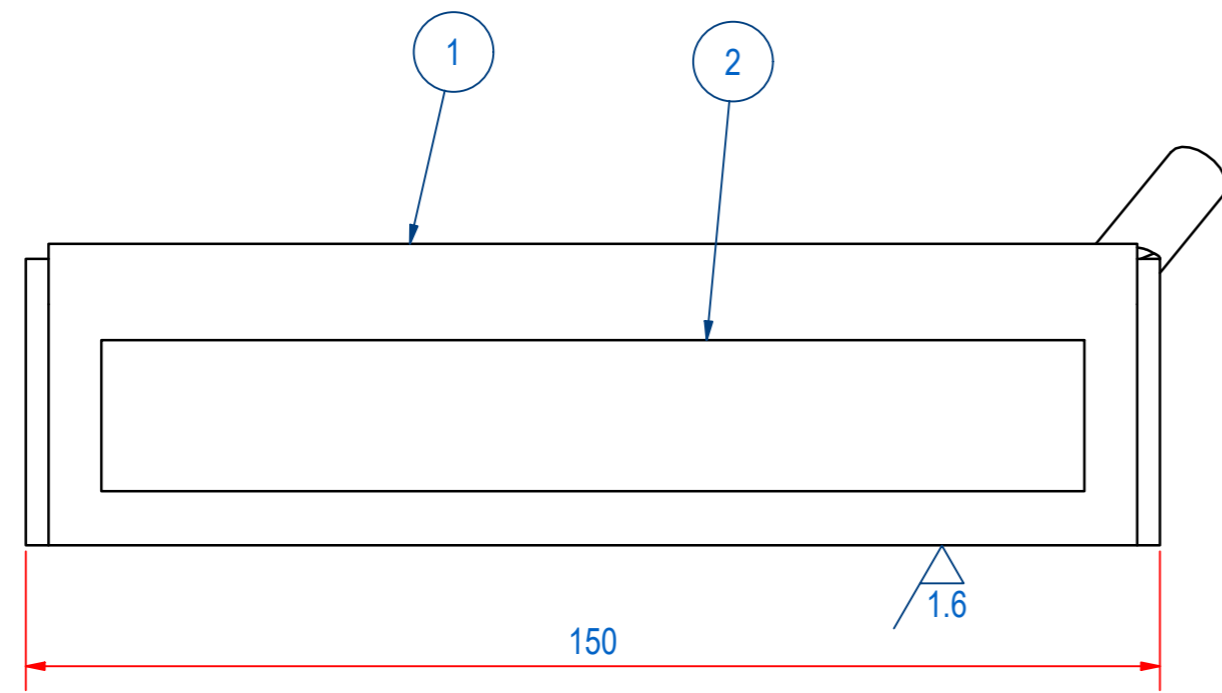
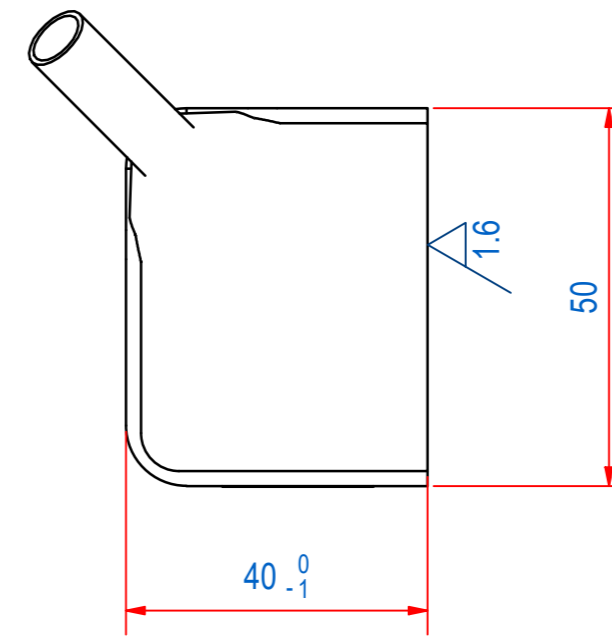
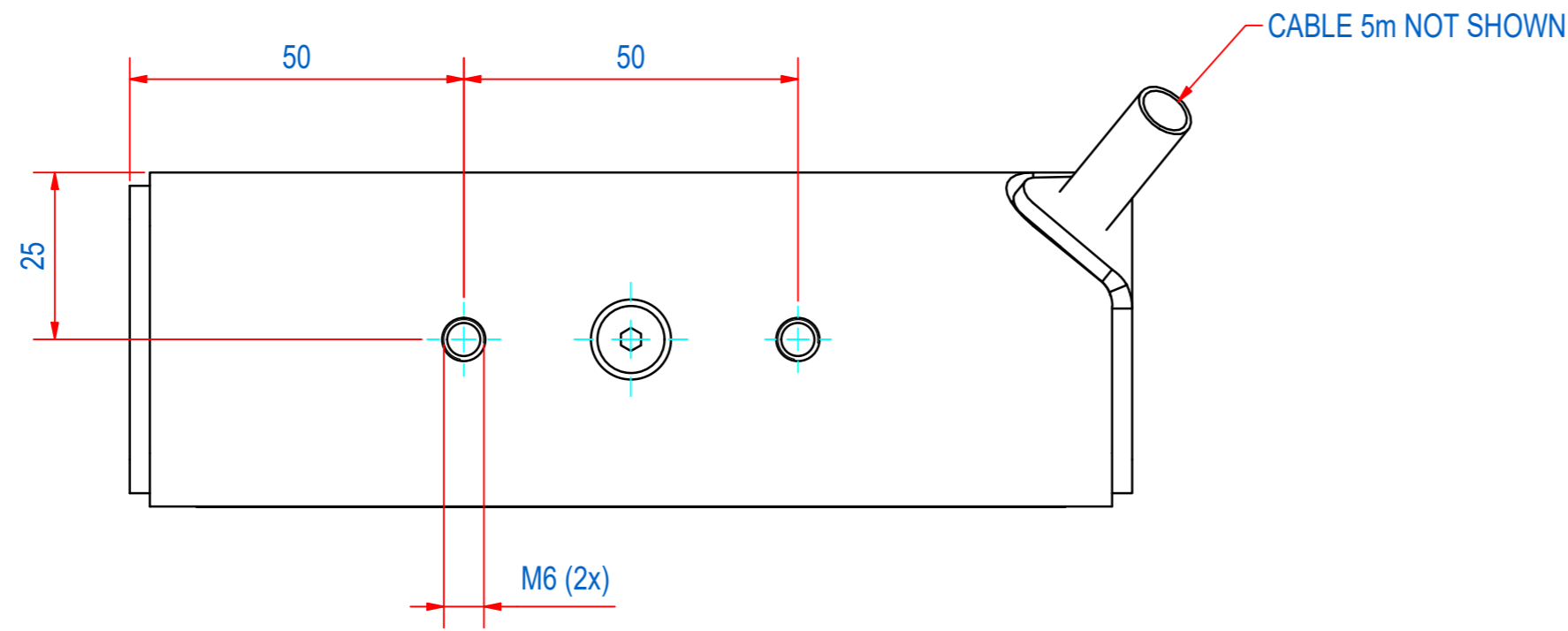
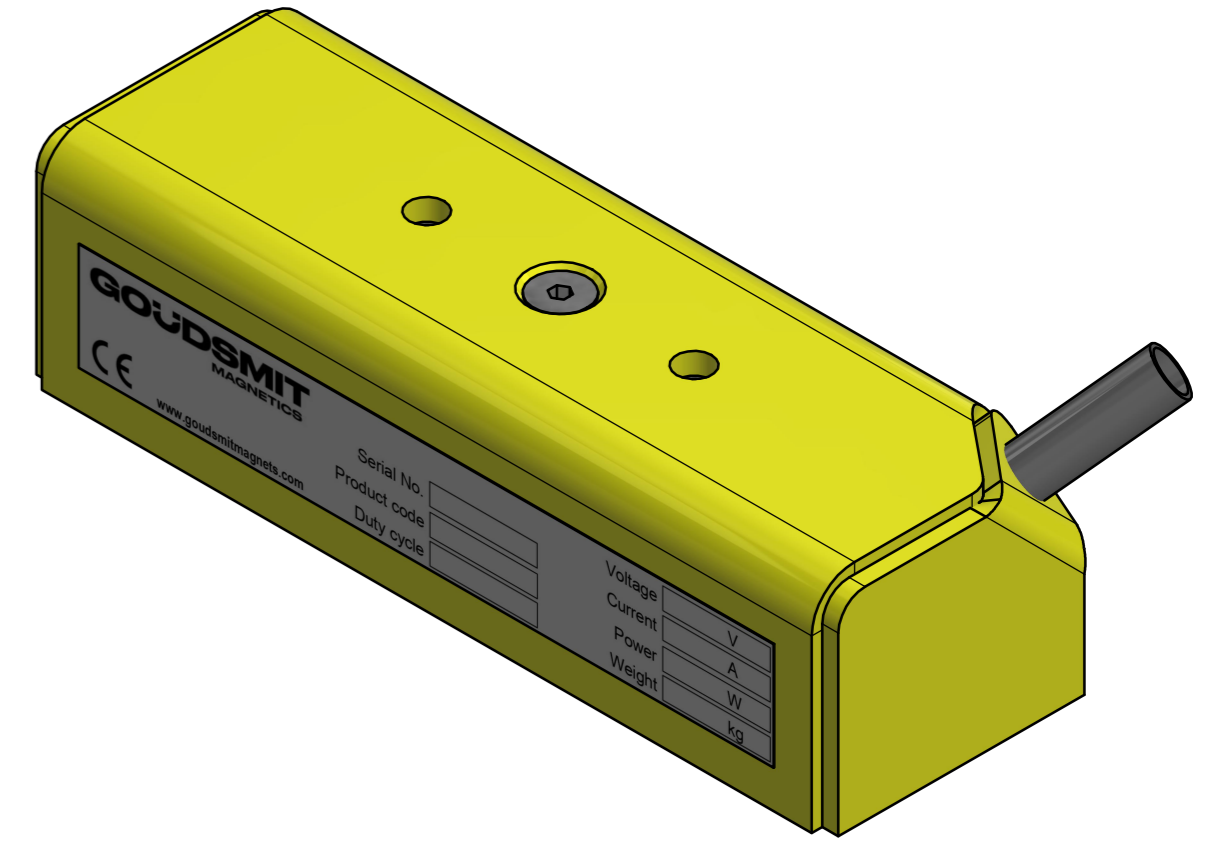


REV	DATE	BY	DESCRIPTION
-	13-6-2022	GS	REFERENCE DRAWING EHKAE03000



CABLE VMVL 2x0.75 BLACK L=5000

ITEM	QTY	PART NUMBER	DESCRIPTION	Dimensions
2	1	M59957	HEB-STICKER ELECTRO ROD	
1	1	E0153160	ASSEMBLY DRAWING	
RAW MAT.	1			Length (mm) Width (mm)
Quantity		Material Number	Material Description	
Sheet: A2		Extra info: ELECTROMAGNETIC BAR MAGNET		General tolerance: ISO 2768- mK
Drawn: GS		24V, 15W		Drawn according: ISO286; ISO1101; ISO2553
Date: 13-6-2022		Duty cycle: 50%, max 10 min		Status: Standard
Spare part: False		Source:		Customer reference number:
Quick search: EHKAE0150				Document number: EHKAE01508 Doc.Rev: -
Description: HEB-050x40-0150-GC		<small>© All rights reserved. Reproduction is not permitted without written permission of GOUDSMIT Magnetic Systems BV</small>		Part number: EHKAE01508 Rev: -