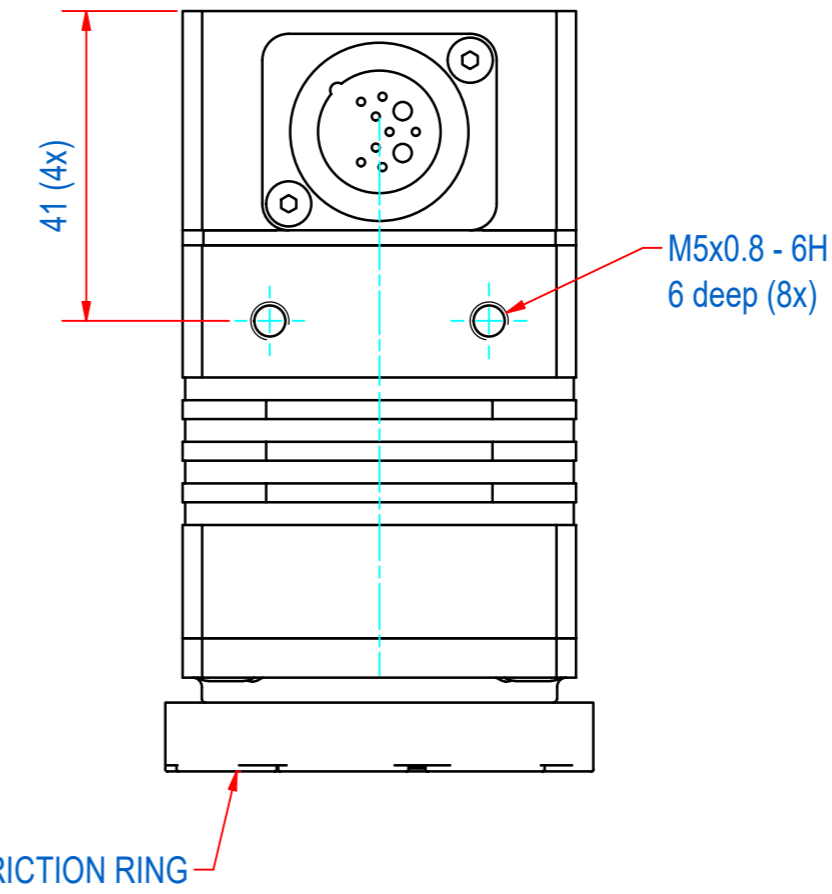
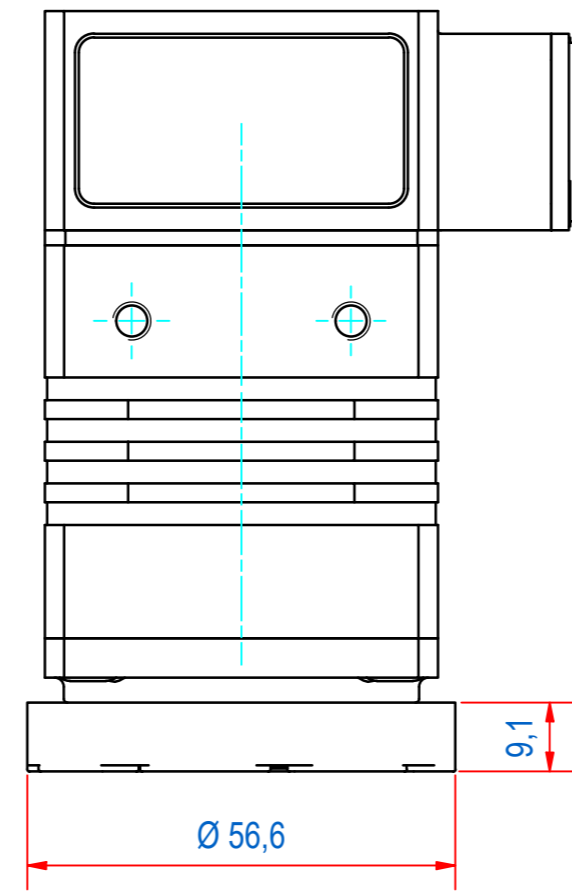
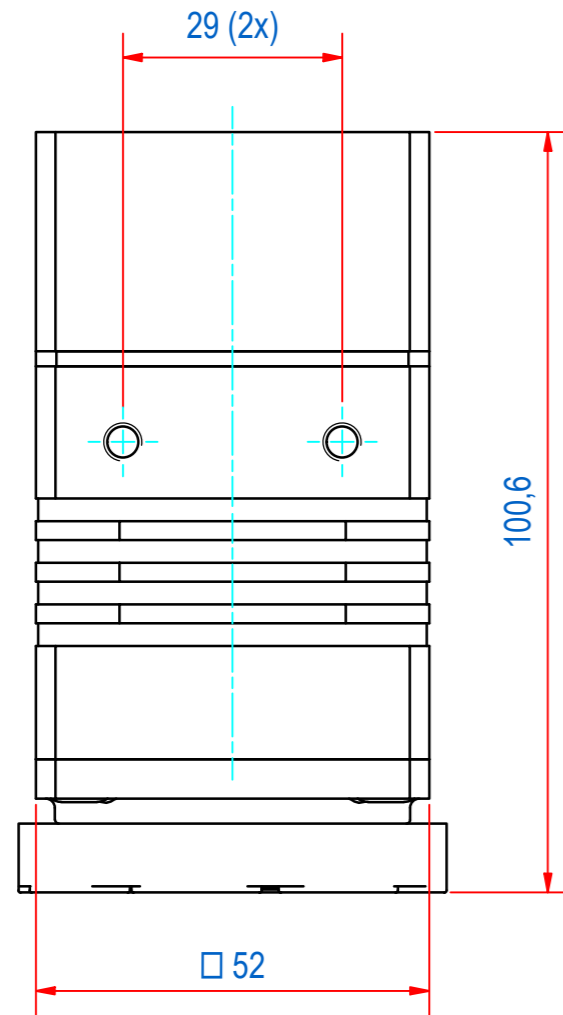
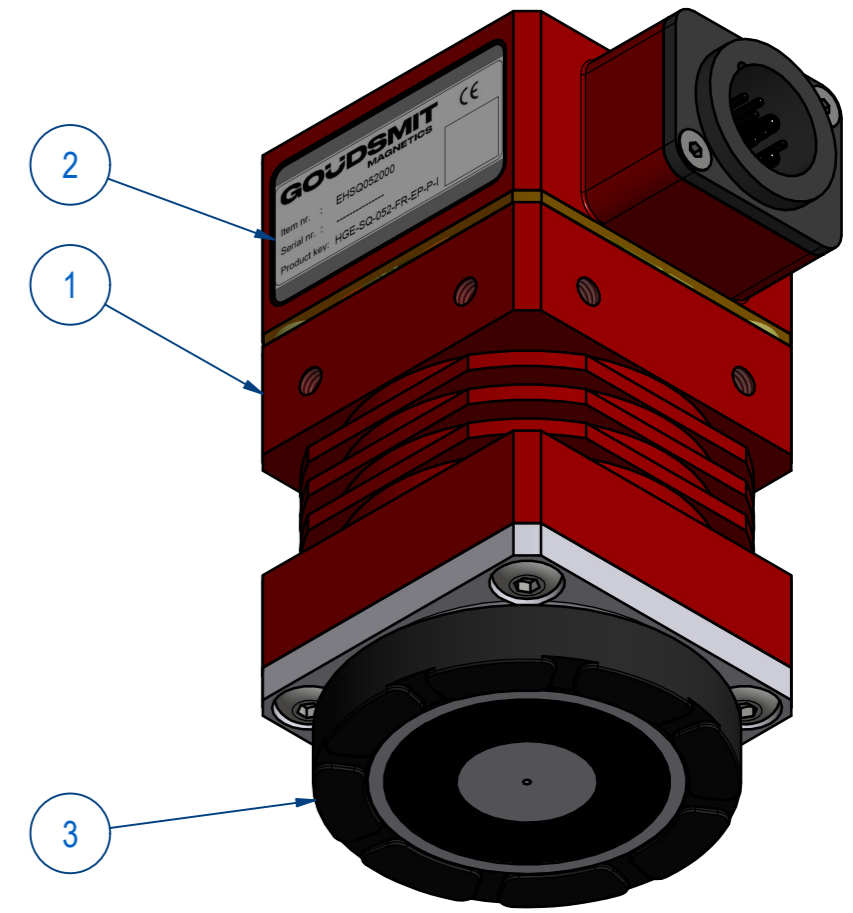
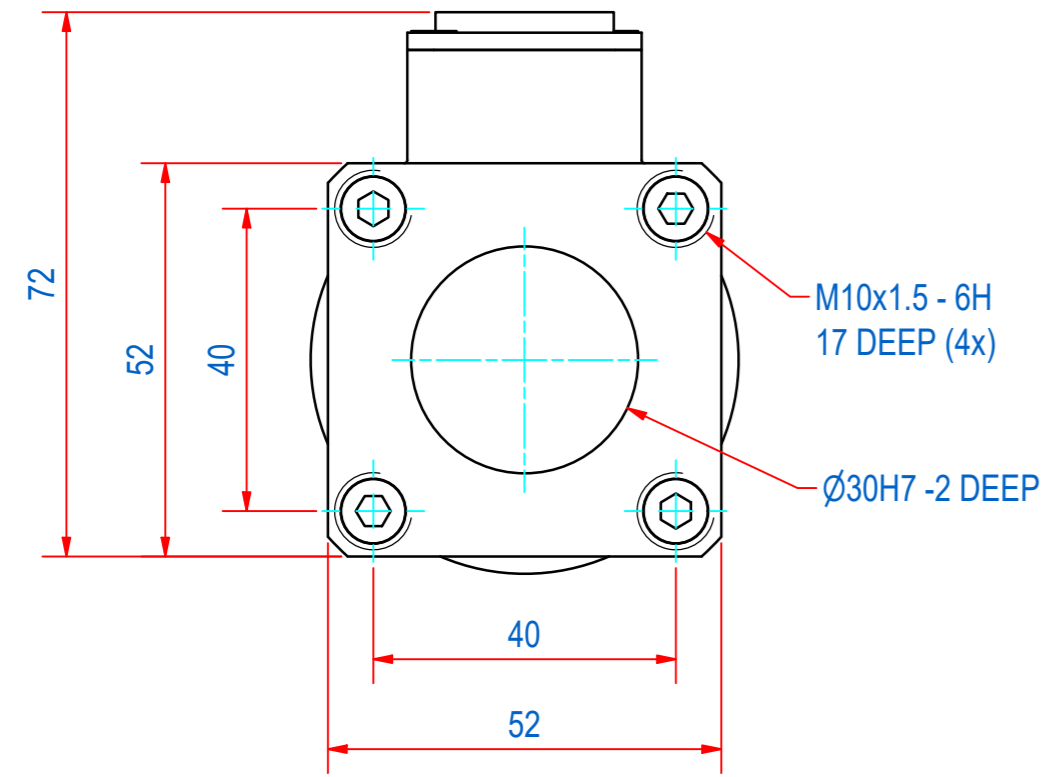


| DOC.NR.    | REV | DATE      | BY | DESCRIPTION                     |
|------------|-----|-----------|----|---------------------------------|
| EHSQ052000 | A   | 15-6-2023 | GS | connector + cable + PCB changed |
| EHSQ052000 | B   | 22-2-2024 | GS | added M5 holes                  |
| EHSQ052000 | C   | 22-2-2024 | GS | changed housing                 |



| ITEM          | QTY                  | PART NUMBER | DESCRIPTION   | Dimensions                                   |
|---------------|----------------------|-------------|---|--|
| 3             | 1                    | E0159815    | HGE-052 FRICTION RING   |  |
| 2             | 1                    | E0158259    | HGE-052 STICKER   |  |
| 1             | 1                    | E0129943    | HGE-052 MAIN ASSY   |  |
| RAW MAT.      | 1                    |             |   |  |
| Quantity      | Material Number      |             | Material Description  | Length (mm) Width (mm)                       |
| Sheet:        | A2                   |             | Extra info:<br>RATED VOLTAGE = 24 V DC<br>MAX. CURRENT POWER = 3.7 A<br>ACTIVATION TIME 350 ms                  | General tolerance:<br>ISO 2768 - mK          |
| Drawn:        | GS                   |             | Weight (kg):<br>1,1   | Drawn according:<br>ISO286; ISO1101; ISO2553 |
| Date:         | 19-3-2020            |             |   | Status:<br>Released                          |
| Spare part:   | False                |             |   | Customer reference number:                   |
| Quick search: | HGE052               |             | <b>GOUDSMIT</b><br>MAGNETICS  | Document number:<br>EHSQ052000 Doc.Rev:<br>C |
| Description:  | HGE-SQ-052-FR-EP-P-I |             | © All rights reserved. Reproduction is not permitted without written permission of GOUDSMIT Magnetic Systems BV | Part number:<br>EHSQ052000 Rev:<br>C         |