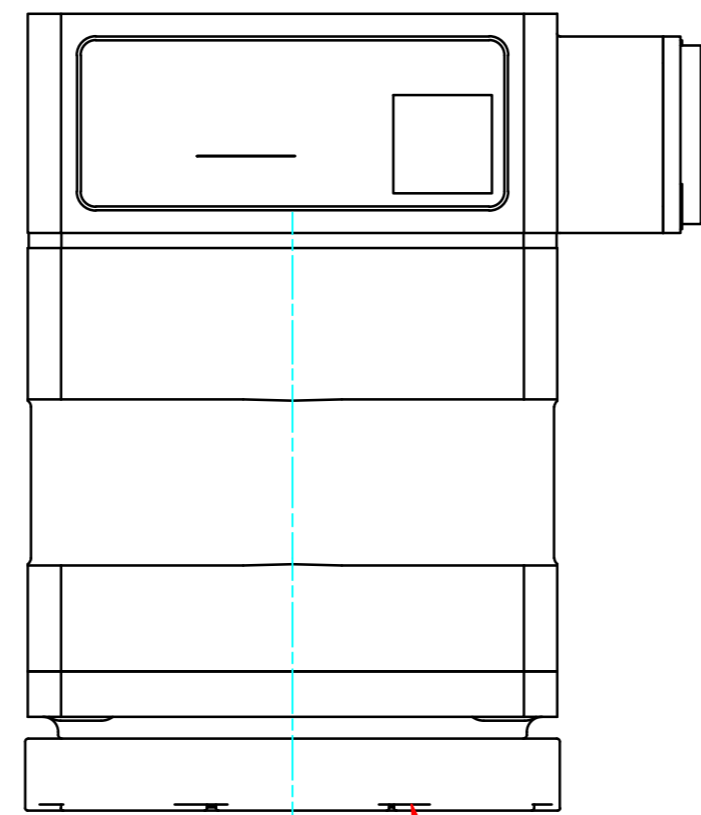
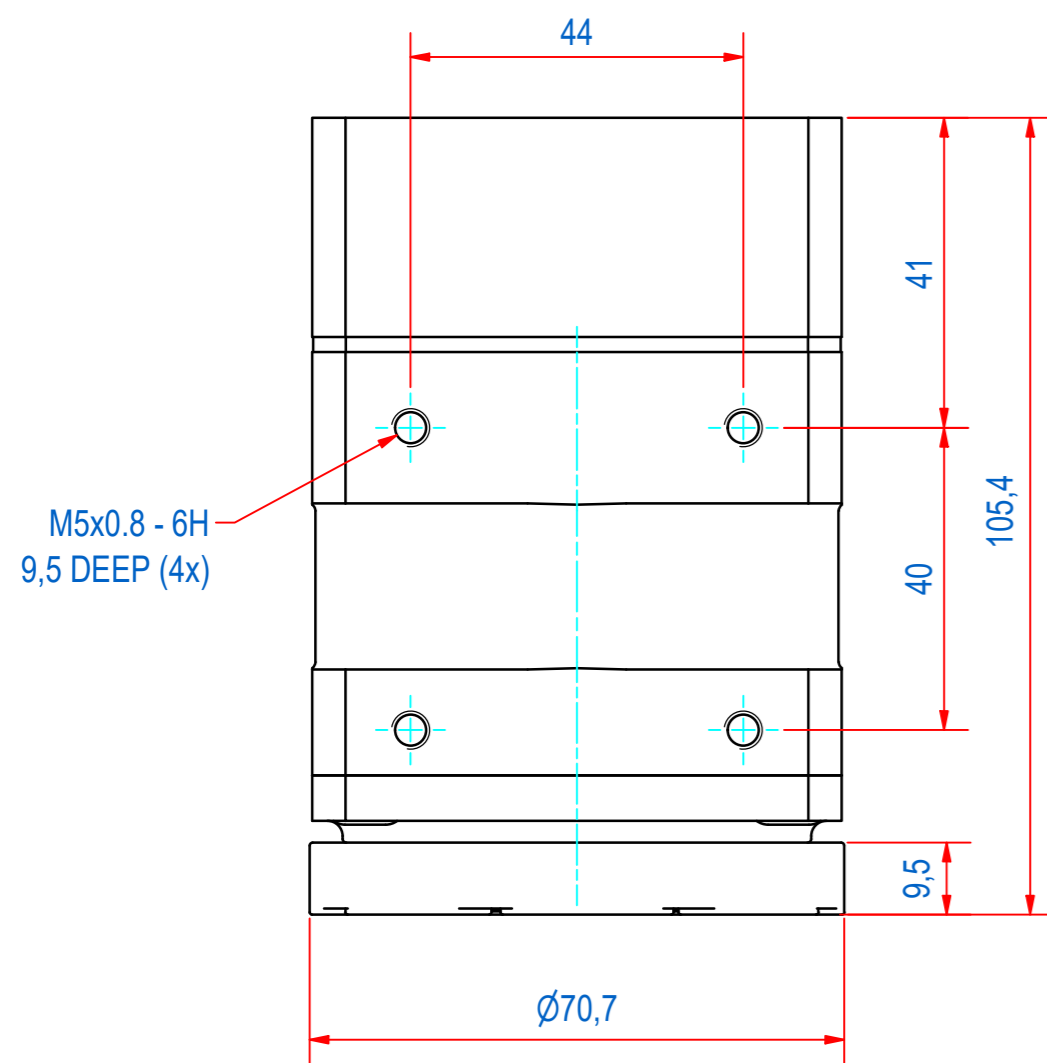
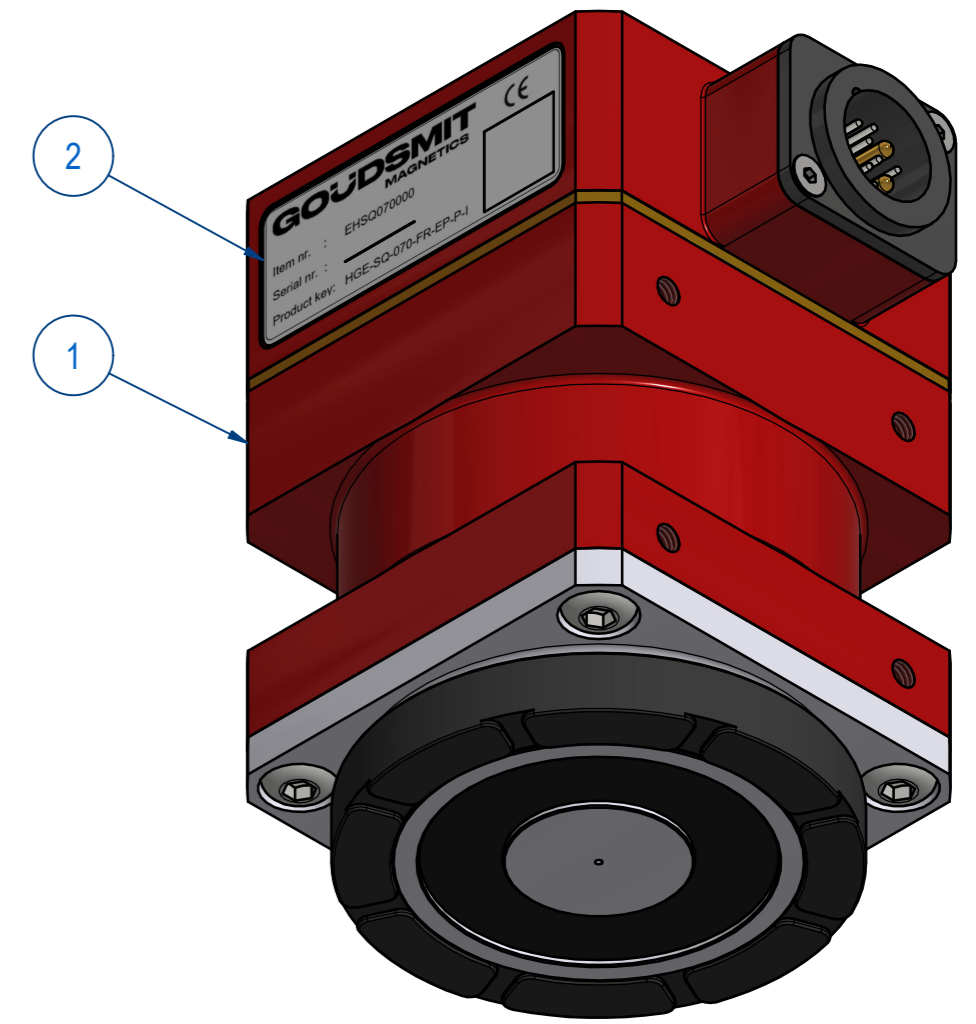
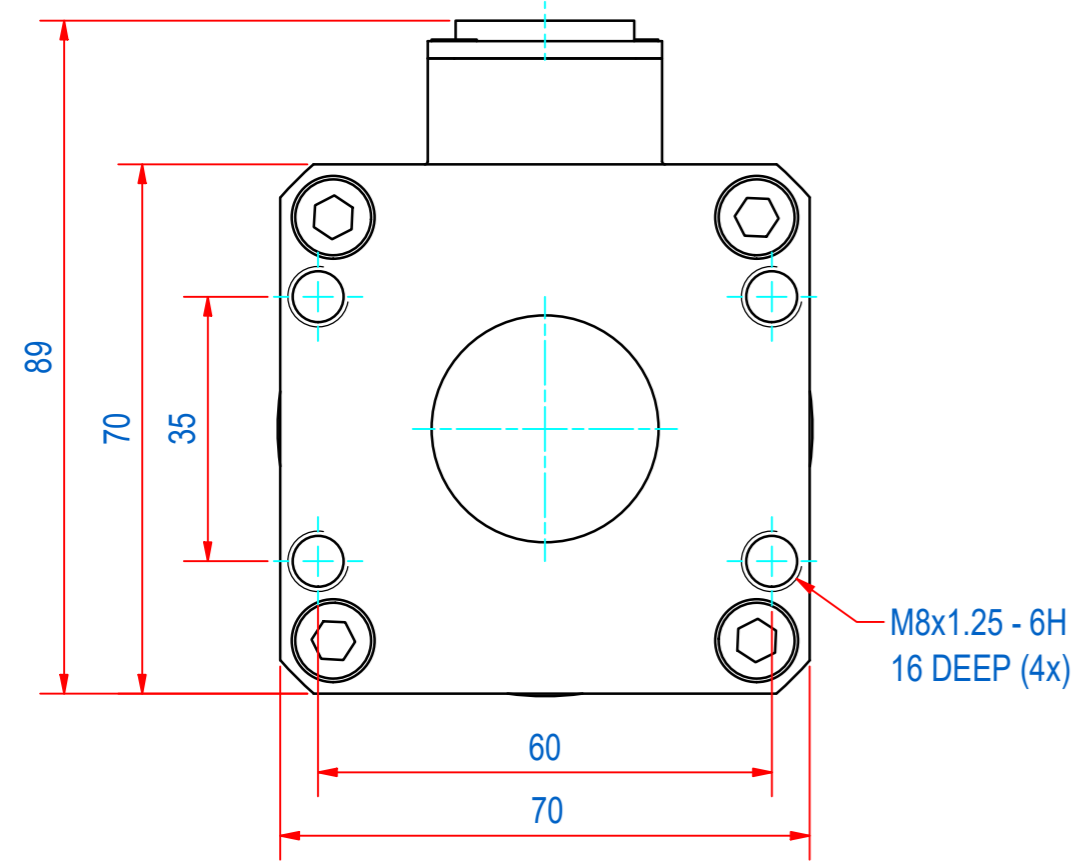
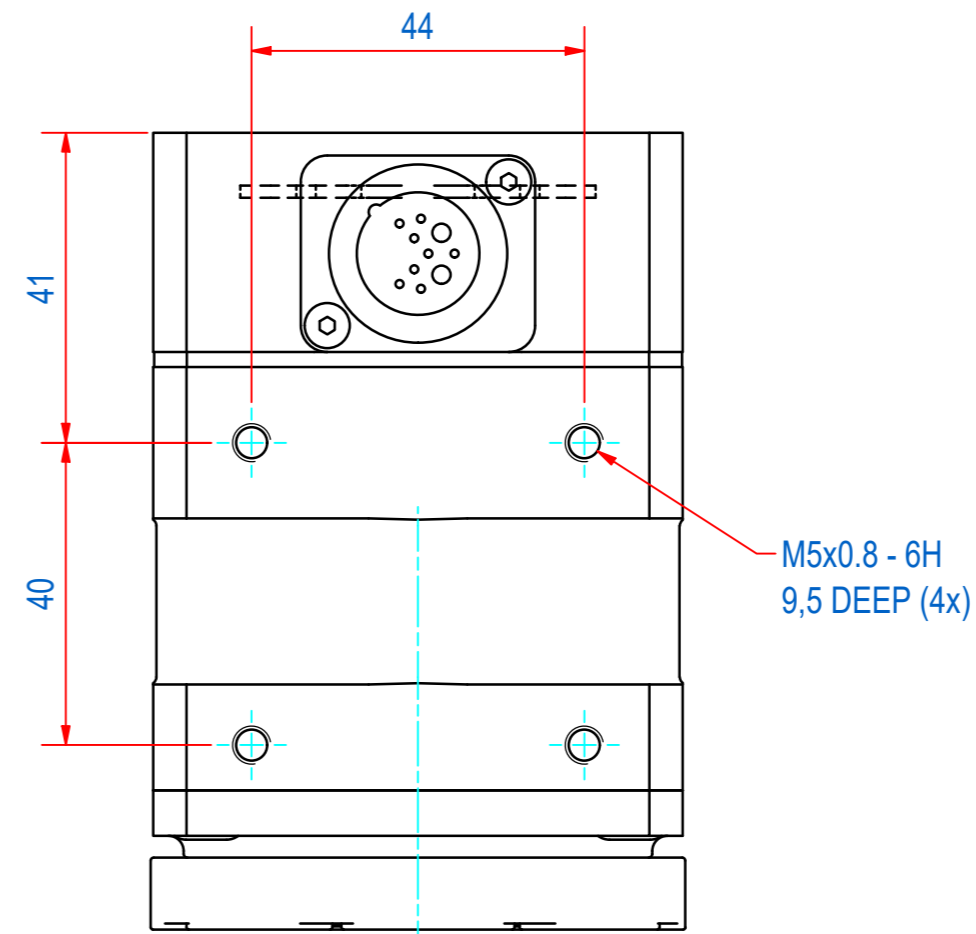


DOC.NR.	REV	DATE	BY	DESCRIPTION
EHSQ070000	C	25-8-2022	GS	added lower flange #70
EHSQ070000	D	16-2-2023	GS	added friction ring; redesign core
EHSQ070000	E	7-3-2023	GS	changed color to red; changed PCBA-0



REMOVABLE FRICTION RING



ITEM	QTY	PART NUMBER	DESCRIPTION	Dimensions
3	1	E0156922	HGE-070 FRICTION RING NBR60	
2	1	E0130123	HGE-070 STICKER	
1	1	E0127797	HGE-070 MAIN ASSY	

RAW MAT.	Quantity	Material Number	Material Description	Length (mm)	Width (mm)
	1				

Sheet:	A2	Extra info:	RATED VOLTAGE = 24 V DC MAX. CURRENT POWER = 4.6 A ACTIVATION TIME = 800 ms	General tolerance:	ISO 2768 - mK
Drawn:	GS	Weight (kg):	1,9	Drawn according:	ISO286; ISO1101; ISO2553
Date:	19-3-2020			Status:	Released
Spare part:	False	Source:		Customer reference number:	
Quick search:	HGE070			Document number:	EHSQ070000
Description:	HGE-SQ-070-FR-EP-P-I			Doc.Rev:	E
				Part number:	EHSQ070000
				Rev:	E