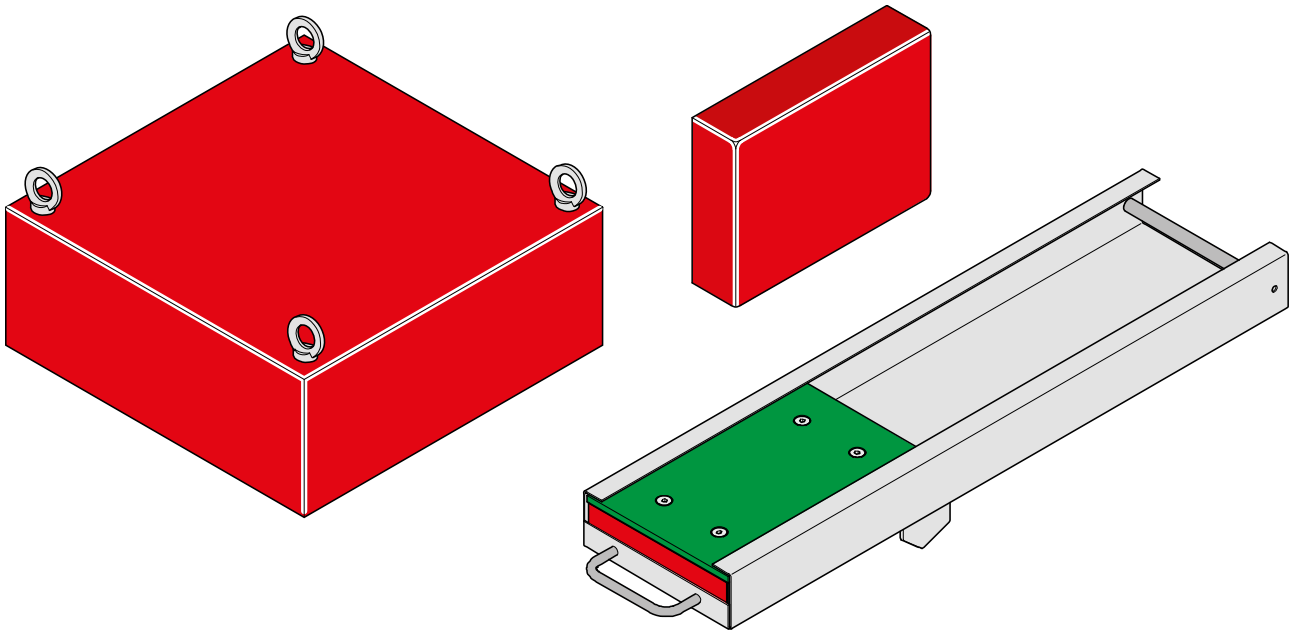


## Installation and user manual

Permanent plate and block magnets, type SVMF, SVMN

**Permanent magnetic filter for separating medium to large ferrous particles from**



© Copyright. All rights reserved.

## Table of contents

<b>1 Introduction</b> .....	<b>4</b>
<b>2 Safety</b> .....	<b>5</b>
2.1 Safety risks.....	5
2.2 General safety instructions.....	5
2.3 Damage due to magnetic field .....	5
2.4 Other remarks/warnings.....	5
<b>3 Standards and regulations</b> .....	<b>6</b>
3.1 Limit values for occupational and public exposure to permanent magnetic and electromagnetic fields.....	6
<b>4 Specifications</b> .....	<b>7</b>
4.1 Range of application .....	7
4.2 Description of function.....	7
4.3 Use in food product flows.....	7
4.4 Magnet temperatures .....	7
4.5 Higher product temperatures .....	8
<b>5 Product information</b> .....	<b>9</b>
5.1 Scope of delivery.....	9
5.2 Identification plate .....	9
5.3 Service life.....	9
<b>6 Transport and installation</b> .....	<b>10</b>
6.1 Transport.....	10
6.2 Installation .....	10
<b>7 Operating principle</b> .....	<b>11</b>
7.1 General .....	11
7.2 Cleaning process – removal of ferromagnetic particles .....	11
<b>8 Maintenance and inspection</b> .....	<b>13</b>
8.1 General guidelines .....	13
8.2 Frequency of maintenance.....	13
8.3 Cleaning instructions.....	13
<b>9 Troubleshooting</b> .....	<b>15</b>
9.1 Troubleshooting table.....	15
<b>10 Service, spare parts, storage and disposal</b> .....	<b>16</b>
10.1 Customer service .....	16
10.2 Spare parts.....	16
10.3 Storage and disposal .....	16

## 1 Introduction

This manual contains information about correct use and maintenance of the device. The manual contains instructions that should be followed to prevent injury and serious damage and to ensure safe and problem-free operation of the device. Read this manual thoroughly and ensure that you fully understand everything before using the device.

If you need more information or still have questions, please contact Goudsmit Magnetic Systems B.V.. The contact details are provided on the title page of this manual. Additional copies of the manual can be ordered by providing the device description and/or article number as well as the order number.

The descriptions and figures in this manual, provided for explanatory purposes, may differ from the descriptions and figures of your version.

In this manual, the SVM flat or block magnet magnetic grid is further referred to as “magnet”.



### NOTICE

**Read this manual carefully before installation and commissioning!**



### NOTICE

This manual and manufacturer's declaration(s) are to be considered part of the device.

Both documents must remain with this device if it is sold.

The manual must be available to all operating personnel, service technicians and others who work with the device throughout the life of the device.

## 2 Safety

### 2.1 Safety risks

This chapter describes the safety risks of the device. Where necessary, warning pictograms have been affixed to the device. These pictograms are explained later in this document.



#### NOTICE

Know your pictograms:

- ▶ Read the warning pictograms on the device carefully.
- ▶ Check that the pictograms on the device are present and legible at regular intervals.
- ▶ Keep the pictograms clean.
- ▶ Replace pictograms that have become illegible or that have been removed with new pictograms in the same locations.

### 2.2 General safety instructions

- The instructions in this manual must be complied with. If they are not, there is a risk of material damage, personal injury and even a danger of death.
- The magnet may only be used to filter medium to coarse ferrous particles from streams of raw materials. Any other use is inconsistent with the regulations. Any resulting damage is not covered by the factory warranty.
- Ensure that people who work on the device or in its immediate vicinity wear adequate protective equipment.
- Impose additional safety measures and use additional warning pictograms if the device remains easily accessible to people. If this isn't possible, ensure that clear instructions are provided for the entire system in which the magnet is accommodated.
- Work on the device may only be carried out by qualified personnel. Ideally, maintenance work on the magnets should be carried out by Goudsmit Magnetics personnel.
- Always take locally applicable safety and environmental regulations into account.

### 2.3 Damage due to magnetic field

The devices generate a powerful magnetic field that attracts ferromagnetic particles. This also applies to ferrous materials that may be carried on the person, including keys, coins and tools. When working within the magnetic field, use non-ferromagnetic tools and workbenches with a wooden worktop and non-ferromagnetic base.



#### WARNING

#### Strong magnetic field

There is a risk of personal injury when carrying out work and measurement checks on the device. Do not place the fingers or other body parts between the device and your structure.

### 2.4 Other remarks/warnings

Rectify all faults before operating the device. If the device is used whilst exhibiting a fault, after having completed a risk assessment, warn operating and maintenance personnel of the fault and the potential risks associated with that fault.

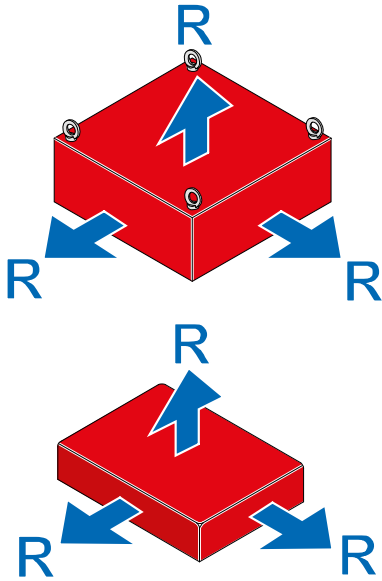
## 3 Standards and regulations

### 3.1 Limit values for occupational and public exposure to permanent magnetic and electromagnetic fields

The limit values and magnetic fields are defined in accordance with the EMC Directive 2013/35/EU as follows:

Directive 2013/35/EU of the European Parliament and of the Council of 26 June 2013 on the minimum health and safety requirements regarding the exposure of workers to the risks arising from physical agents (electromagnetic fields).

Observe the following measures in relation to exposure to magnetic fields in accordance with EN12198-1 (machine category = 0, no restrictions) of the device:



#### **Danger of death to people with implanted medical aids**

People with an active implanted medical aid (e.g. pacemaker, defibrillator, insulin pump) must not be present within a radius 'R' of 1.5 metres of the device.



#### **Damage to products with sensitivity to magnets**

Products that contain ferromagnetic parts, such as debit cards, credit or chip cards, keys and watches, may be rendered permanently damaged if they come within a radius 'R' of 0.5 metres of the device.



Employees who are pregnant and the general public may not come within a radius 'R' of 0.25 metres of the device.

Limit values for occupational exposure (general and for limbs) are not exceeded.

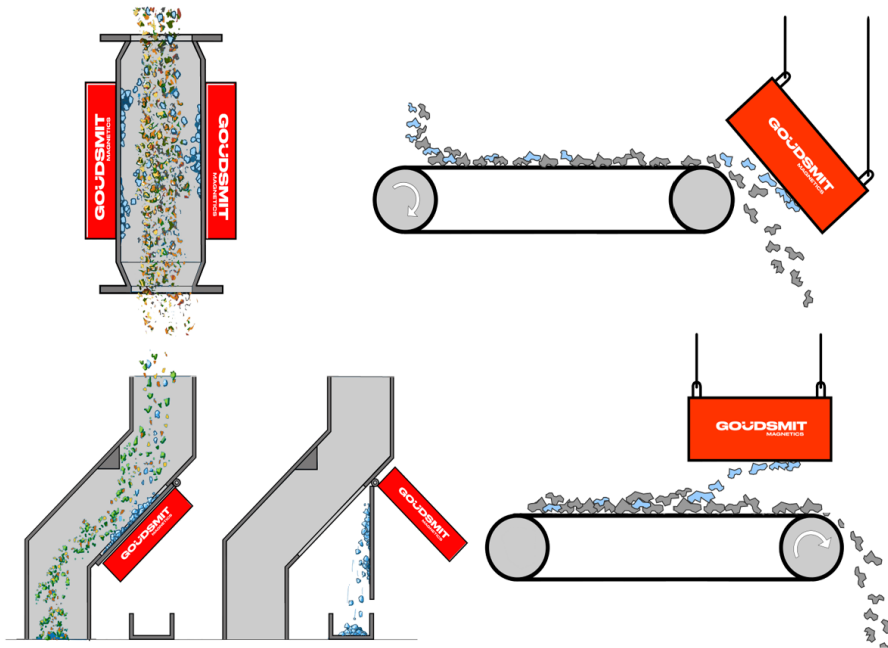


#### **NOTICE**

Goudsmit Magnetics offers measurement inspection to measure the safe clearances of the in-built device on site in order to determine whether they deviate from the values specified above.

## 4 Specifications

### 4.1 Range of application



Plate/block magnets are easy to install in existing installations. You can hang them above a conveyor belt, attach them to the wall of a product chute, or mount them under a passing product stream. They are used to check incoming product flows and/or for the protection of machines, such as shredders and sieves.

Plate/block magnets are also the building blocks of our magnetic separator systems for relatively coarse product flows and higher capacities, such as our chute magnets, external pole magnets, cascade magnets, overbelt magnets and magnetic sweepers.

### 4.2 Description of function

Neodymium (Neoflux®) plate magnets are extremely powerful, compact and lightweight. They are suitable for separating ferrous contaminants ranging in size from 30 µm to 3 mm.

Ferrite (Ferroxdur®) plate magnets are less powerful and larger than neodymium plate magnets. They remove ferrous contaminants as small as 0.5 mm. Not suitable for weakly magnetic stainless steel contaminants.

### 4.3 Use in food product flows

The standard neodymium plate magnets are supplied as an AISI304 stainless steel model as standard, with a 3 µm ceramic grit-blasted finish. This is suitable for normal food contact applications. Because of its resistance to corrosion, this material is generally considered safe for use as a material that comes into contact with food products. All contact materials are compliant with EU regulation EC1935/2004.

### 4.4 Magnet temperatures

The devices are suitable for the following ambient and product temperatures:

Magnet quality used	Ambient temperature	Max. product temperature
GSFD-33 (ferrite)	-20 to +60 °C	100 °C
GSN-35 (neodymium)	-20 to +60 °C	60 °C

The magnetic material must be protected against higher temperatures than those specified on the data sheet as the magnet will permanently lose magnetic force if exposed to higher temperatures.

## 4.5 Higher product temperatures

For higher product temperatures (above 80 °C), there is the option of using magnetic material other than the standard Neoflux® magnets in the plate magnets. Special high-temperature Neoflux® magnets can then be used, increasing the temperature tolerance to 140 °C. For even higher temperatures, another magnet material may be the solution. Ferrite magnet material can be used up to 225 °C. For more information, contact the sales department.



## 5 Product information

### 5.1 Scope of delivery

Check the shipment immediately upon delivery for:

- Possible damage and/or shortcomings as a consequence of transport. In the event of damage, ask the carrier for a transport damage report.
- Completeness.



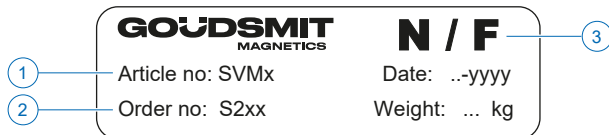
#### NOTICE

In the event of damage or incorrect shipment, contact Goudsmit Magnetics immediately. The contact details are provided on the title page of this manual.

### 5.2 Identification plate

The following identification data are shown on the device. The identification data are very important for maintenance of the device.

Always keep the identification data clean and legible. Always provide the article and order numbers when ordering spare parts, requesting service or reporting a malfunction.



1. Article number
2. Order number
3. Magnet material (Neodymium / Ferrite)

### 5.3 Service life

Depending on operating conditions, a minimum service life of 5 years is expected.

## 6 Transport and installation

### 6.1 Transport



#### WARNING

##### Note

The device permanently emits a magnetic force.

Observe the safety instructions for transport in the Safety risks [▶ 5] section.

- During transport, avoid all impact in order to prevent damage.

### 6.2 Installation



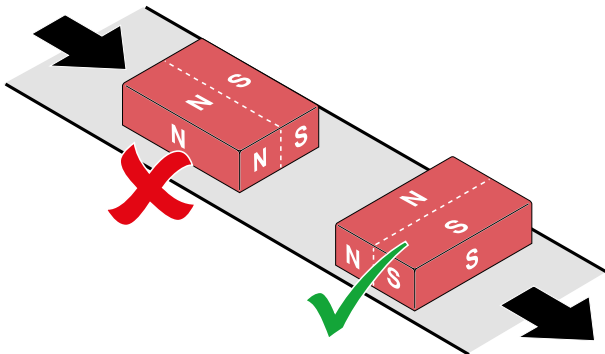
#### NOTICE

Take the following precautions:

- ▶ Work safely, provide ample work space and use dependable scaffolding, ladders and other tools so the device can be installed without any risks.
- ▶ The device permanently emits a magnetic force. See the Safety risks [▶ 5] section for the precautions that must be taken when working on the device.
- ▶ Only qualified personnel should work on the device.
- ▶ Ensure that there is sufficient clearance around the installation to install the device in the installation/structure and for operation, inspection and maintenance work to be carried out.
- ▶ Ensure that no external vibration is transferred to the device, as this can cause permanent loss of magnetic force.
- ▶ Only non-magnetic structural parts are permitted within the range of the magnetic field in order to prevent a negative impact on the removal of ferrous particles. In simple terms, the magnetic field may not be 'short circuited'.
- ▶ Only use lifting/hoisting tools that are in good condition, and do not exceed the lifting capacity of the tools.
- ▶ The supply and discharge channels and structure must be sufficiently strong to bear the weight of the device with the captured ferrous particles.

Install a magnet diagonally (not longitudinally) above the product flow. This will ensure that the product flow always passes two magnetic poles, causing the ferrous particles to be 'captured' by the magnet (see figure).

#### Installation example



## 7 Operating principle

### 7.1 General

The magnet causes ferromagnetic particles to be separated from a (close enough) flow of material falling past or flowing over the magnet. The holding field of a specific magnet type/size determines how far the magnet must be mounted from the material flow.

The magnets attract the ferrous particles and these then stick to the magnet, or extractor/quick-cleaning plate (for quick-cleaning types). An optional 'keyway' holds 'captured' ferrous particles extra securely, preventing them from being carried away by the product flow.

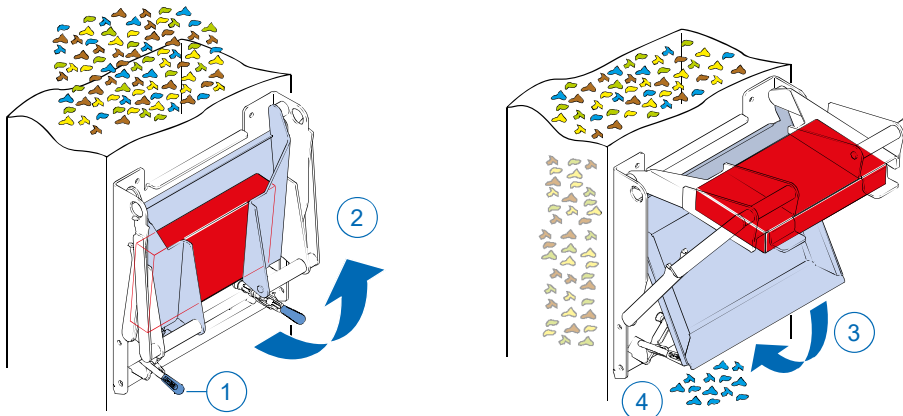
Removal of the 'captured' ferrous particles on the magnet is done by manual cleaning, or by turning/sliding away an (optional) extractor plate (for quick-cleaning types).

### 7.2 Cleaning process – removal of ferromagnetic particles

When cleaning the device, wear the requisite protective clothing, such as overalls, gloves, goggles and safety shoes.



#### Sample cleaning process for plate magnet (chute magnet)



To clean, proceed as follows:

- Stop the product flow.
- Loosen the toggles [1].
- Swing up the magnet with extractor plate [2].
- Swing the hinged magnet away from the extractor plate [3].

The captured ferrous particles fall off the extractor plate once the magnetic field [4] has moved far enough away from them.

- Collect the fallen ferrous particles and dispose of them.
- If necessary, clean the extractor plate with a brush, clean cloth or compressed air.
- Swing the magnet back against the extractor plate.
- Swing the magnet with extractor plate back against the chute and secure it with the toggles.
- Production can be safely resumed.

#### Block magnet



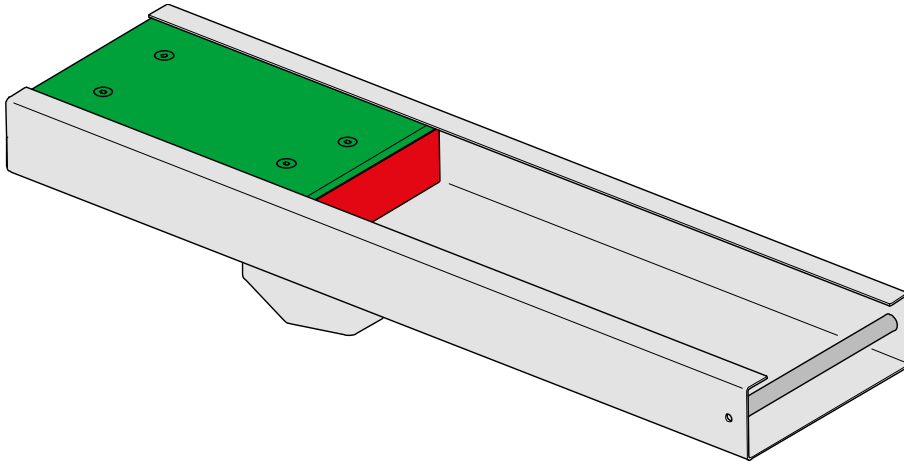
**WARNING**

**Risk of injury from large, sharp objects.**

- ▶ Use a wooden scraper to remove captured large, sharp objects from the block magnet.
- ▶ Then remove the remaining captured particles with a clean cloth or compressed air.

Recommendation: For quick, safe cleaning of a block magnet, we recommend using an extractor plate.

**Option**



For cleaning the magnet, there is the option of using a cleaning tray. Contact the sales department for this tool.

## 8 Maintenance and inspection

### 8.1 General guidelines



**WARNING**

**Risk of crushing**

In view of the large magnetic forces, replacing the internal magnet components is extremely dangerous as they are difficult to handle. Replacement may **ONLY** be carried out by appropriately qualified personnel or (ideally) by Goudsmit Magnetics technicians.

If the replacement is carried out by unqualified personnel, the warranty will be void.

Goudsmit Magnetics cannot be held liable for any consequential damage to people and/or materials if this prohibition is ignored.



**WARNING**

**Caution**

The product flow must be stopped when work is being carried out on the device.

Exercise caution with tools. The magnetic force is permanent.

Magnetic systems do not only attract ferromagnetic particles, but a small proportion of your product will also continue to 'adhere' to the magnet. Remove all captured particles from the magnet at regular intervals. A clean magnet is considerably more effective.

- Always inform operating personnel of scheduled inspections, maintenance, repairs and in the event of faults.
- Check regularly that all warning pictograms are still present in the correct locations on the device. If these are lost or damaged, replace them with new pictograms in the original locations immediately.
- Clean the magnet of ferrous particles at least 2x per day to ensure optimal magnetic separation and to prevent the accumulation of ferrous particles on the magnet and consequential problems. The frequency of the cleaning process depends on the capacity of your product flow and the level of soiling.

### 8.2 Frequency of maintenance



**NOTICE**

Goudsmit Magnetics offers an annual maintenance inspection and an inspection report with certificate for the magnets.

Action	Daily	Annually
Clean magnet (for maximum performance).	min. 2x <sup>1)</sup>	
Check magnet for wear.		•

<sup>1)</sup> The frequency of the cleaning process depends on the capacity of your product flow and the level of soiling.

### 8.3 Cleaning instructions

Cleaning of the magnet is done manually by wiping, or using an extractor plate for quick cleaning. This involves sliding or swinging the extractor plate away from the magnet. The ferrous particles fall off of the extractor plate as soon as they are moved far enough away from the magnetic field. See also section .

The housing of a neodymium magnet is made of stainless steel or 'food-grade stainless steel' 1.4301/SAE 304L.

**Wet or dry cleaning**

If the use of fluids is prohibited in your installation, use disinfectant cloths that are suitable for contact with the processed product, if necessary.

The frequency of cleaning is dependent on the degree of cleanliness required for the processed product. The frequency of cleaning must be increased in applications where sensitive food products are processed. Perform a hygiene risk assessment to determine the requirements in your situation.

## 9 Troubleshooting

### 9.1 Troubleshooting table

Use the following table to search for faults, determine the possible cause and find the remedy. In the event of a fault that is not in the table, contact Goudsmit Magnetics customer service.

Problem	Possible cause	Solution
Magnet does not separate ferromagnetic particles completely or at all.	Magnet is heavily soiled or overloaded with ferrous particles.	Clean the magnet. Clean more often if necessary. Use a permanent magnet to check whether the separated particles are ferromagnetic.
	Particles that are not attracted are not sufficiently ferromagnetic.	Check a non-separated ferrous particle with a strong permanent magnet to determine whether it is actually a ferromagnetic particle. <ul style="list-style-type: none"> <li>• Not attracted: the particles cannot be separated with any type of magnet.</li> <li>• Slightly attracted: a stronger magnet might be a solution. Consult Goudsmit Magnetics.</li> </ul>
	Excessively high volume flow of your product.	Stay below the maximum capacity shown in the specifications.
	Ferromagnetic components within the range of the magnet reduce the ferrous separation power.	Check the magnetic behaviour of the installed components around the magnet by holding a ferrous component close to the magnets. If there are components that react to the magnet, replace them with non-magnetic components, such as those made from stainless steel or aluminium.

## 10 Service, spare parts, storage and disposal

### 10.1 Customer service

Have the following information to hand when contacting customer service:

- Data from the identification plate.
- Type and scope of the problem.
- Presumed cause.

### 10.2 Spare parts

The high quality of the products from Goudsmit Magnetics means that the magnet product is highly reliable in operation.

However, if a particular part needs to be replaced, you can order a new one by providing the type number listed on the identification plate or on the attached drawing(s) and/or the data sheet.

The spare parts are mainly the wear parts. Only the extractor plate and seal may need to be replaced/refurbished over time, if they are exposed to a highly abrasive material flow.

- When ordering, state the article and order numbers that appear on the identification plate.
- For further information, please contact us by +31 (040) 22 13 283 or consult our website.

### 10.3 Storage and disposal

#### Storage

If you do not intend to use the magnet product for an extended period of time, we recommend placing the device in a dry, safe place, and applying preservative to the vulnerable parts, if necessary. After disassembly, apply 80 mm spacers to the magnet. This prevents body parts from becoming trapped.

#### Disposal/recycling

When dismantling and/or scrapping the magnet product, keep in mind the materials from which the individual parts are made (magnets, iron, aluminium, stainless steel, etc.). This should ideally be done by a specialized company. Always observe the local regulations and standards pertaining to industrial waste disposal.

Inform those disposing of or storing the magnet material of the hazards of magnetism. To this end, see also the Safety risks [► 5] section.









