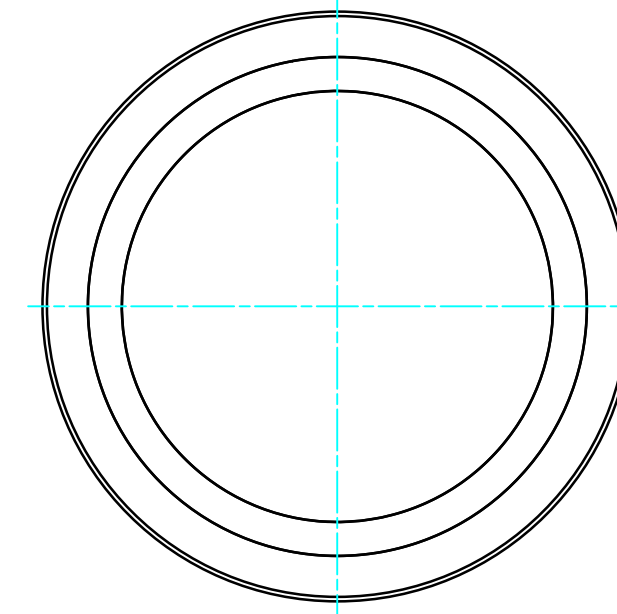
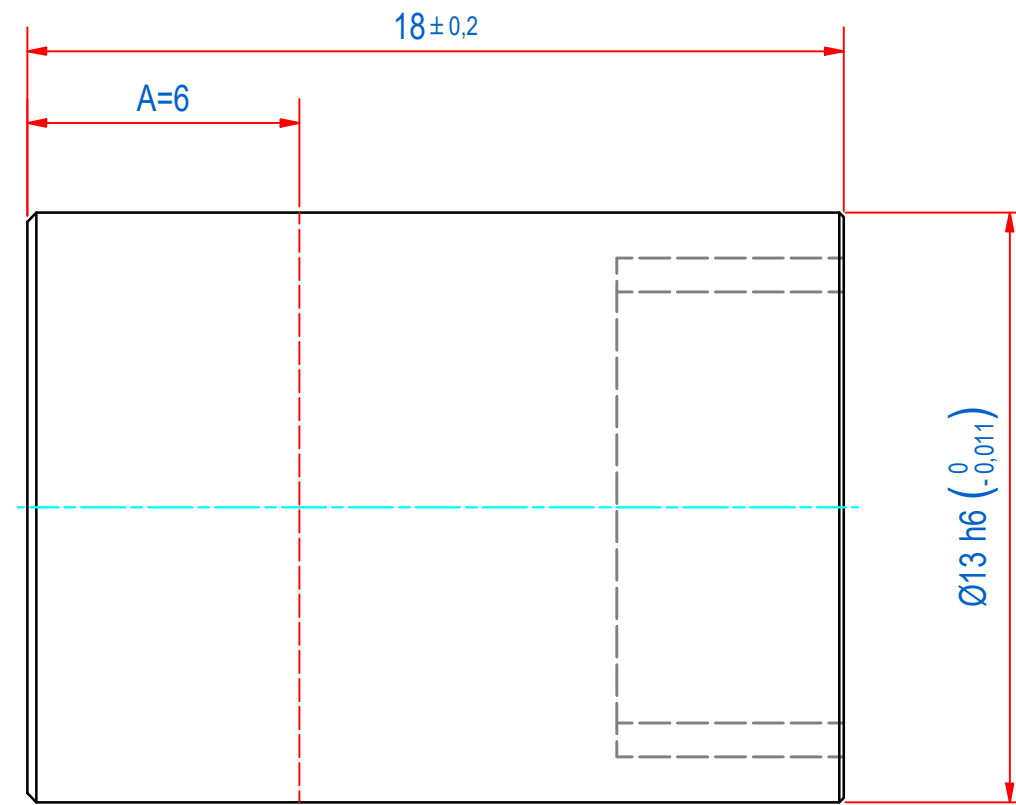
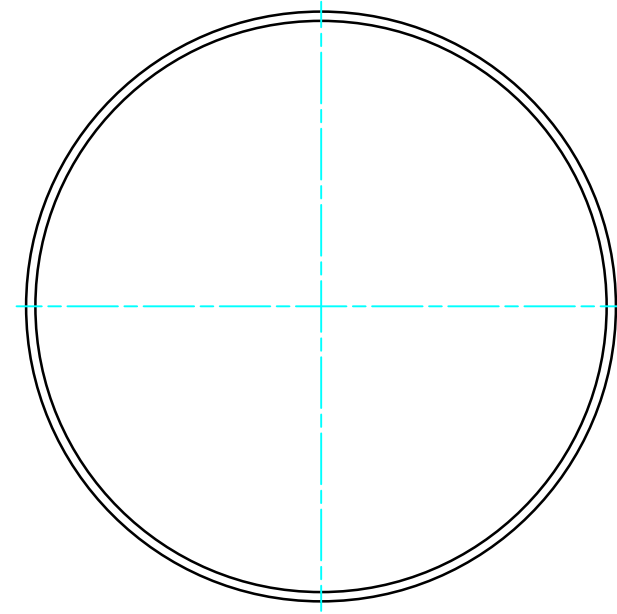
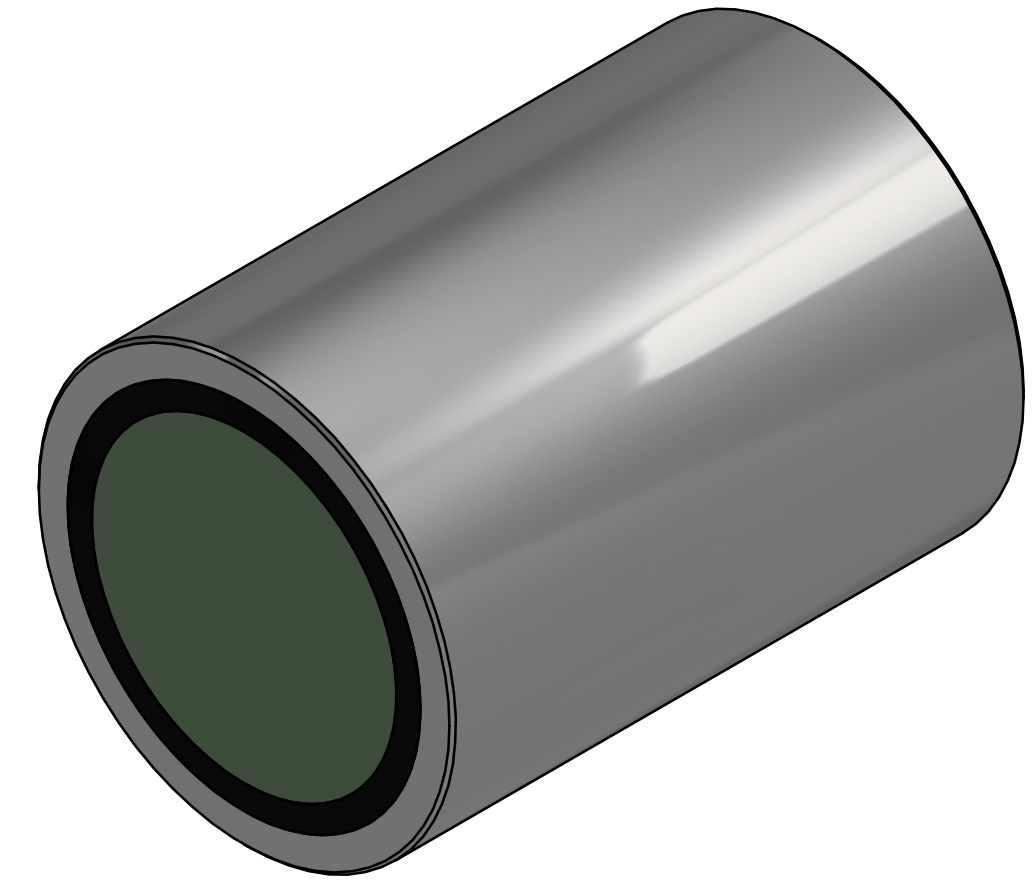
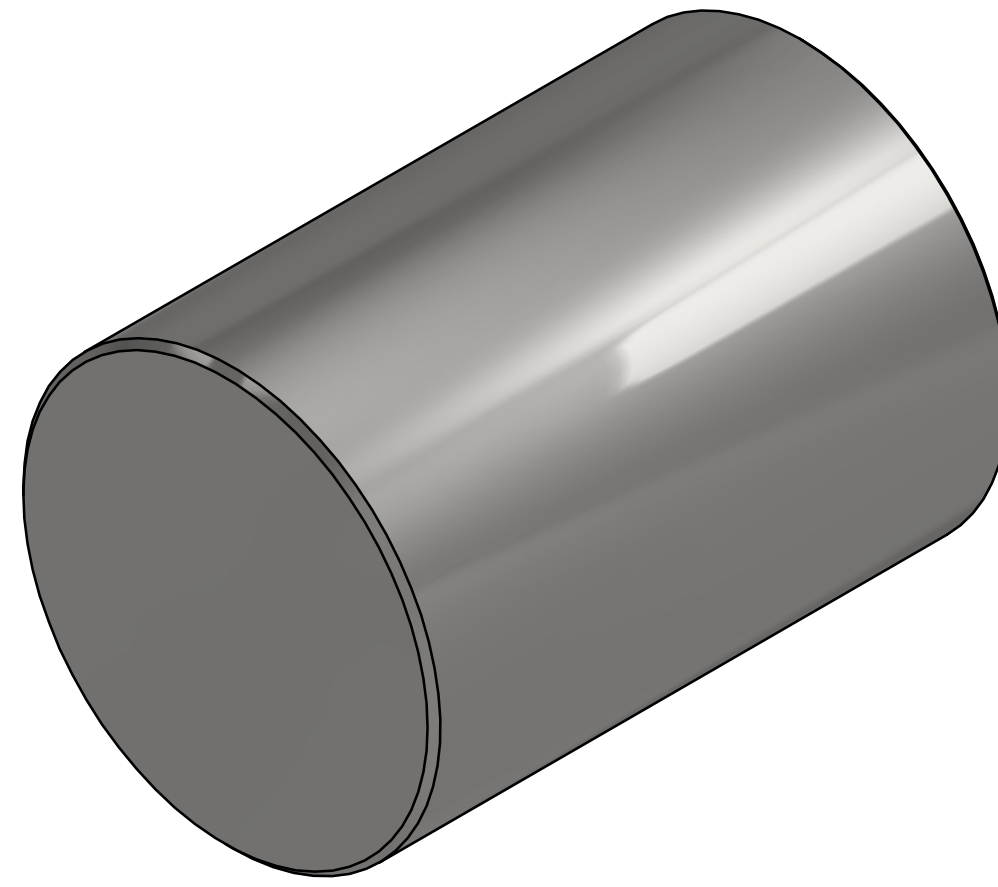



DOC.NR.	REV	DATE	BY	DESCRIPTION
GM16004	-	24-9-2019	PV	ORIGINAL DRAWING



A = LENGTH BY WHICH THE BAR MAGNET CAN BE SHORTENED OR MACHINED WITHOUT BEING DAMAGED

RAW MAT.	1	Quantity	Material Number	Material Description	Length (mm)	Width (mm)	
Sheet:	A2	Extra info:	POTMAGNET AINICO			General tolerance:	ISO 2768 - mK
Drawn:	PV	Weight (kg):	0,018			Drawn according:	ISO268; ISO1101; ISO2553
Date:	2-8-2019	Status:	Standard			Customer reference number:	
Spare part:	False	Source:				Document number:	GM16004
Quick search:	POTGM	<small>© All rights reserved. Reproduction is not permitted without written permission of GOUDSMIT Magnetic Systems BV</small>			Doc.Rev:	-	
Description:	PM-BM-A-ST-D13h6x18			Part number:	GM16004		
				Rev:	-		