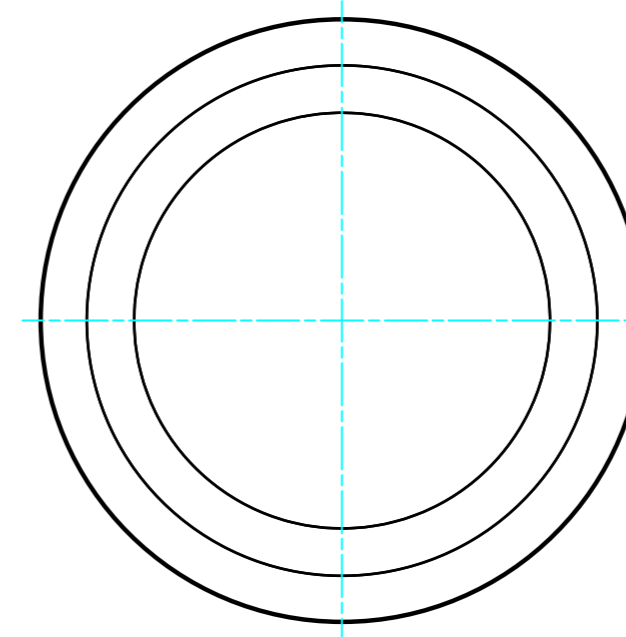
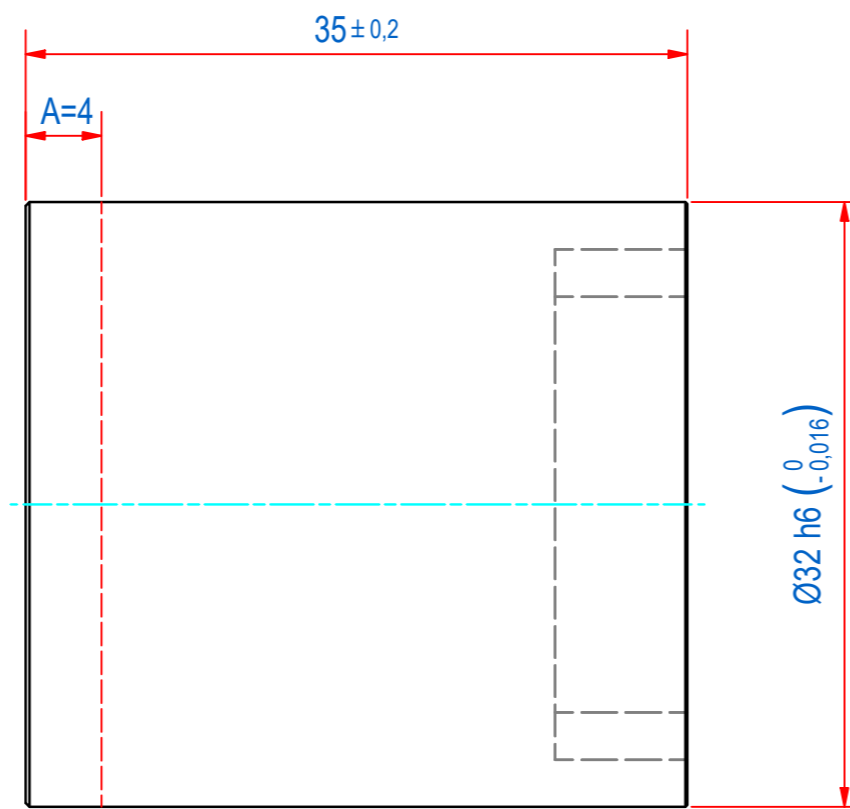
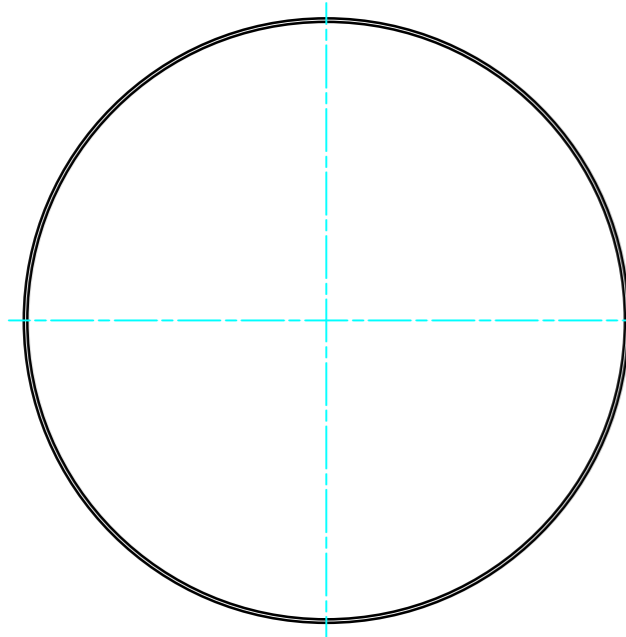
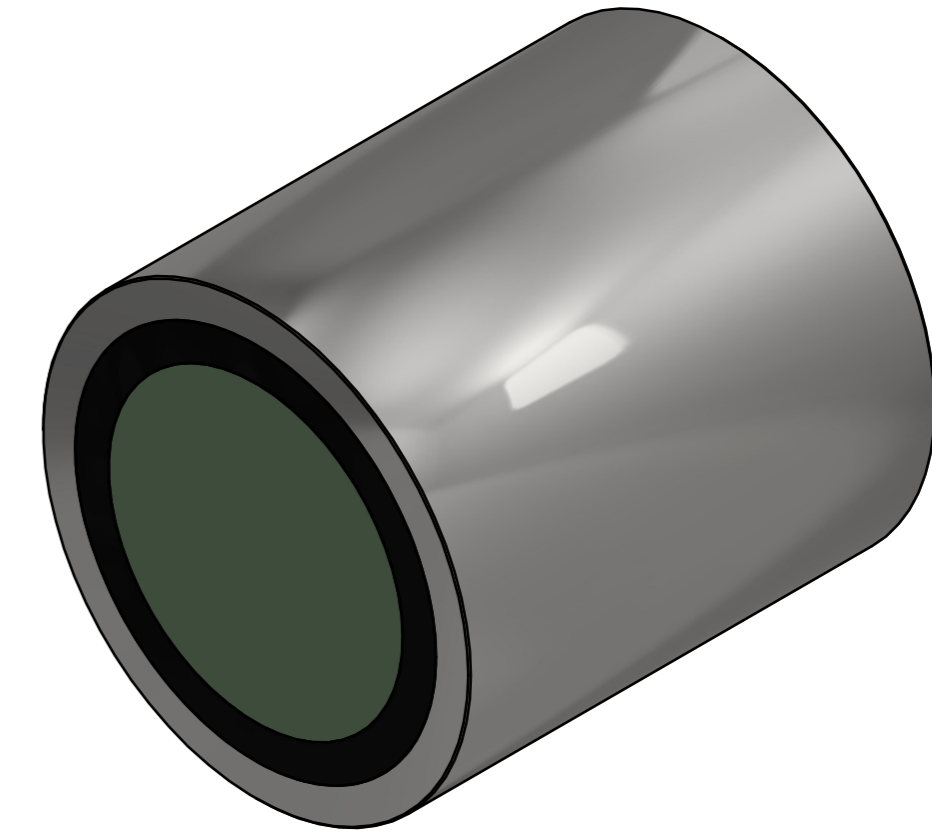
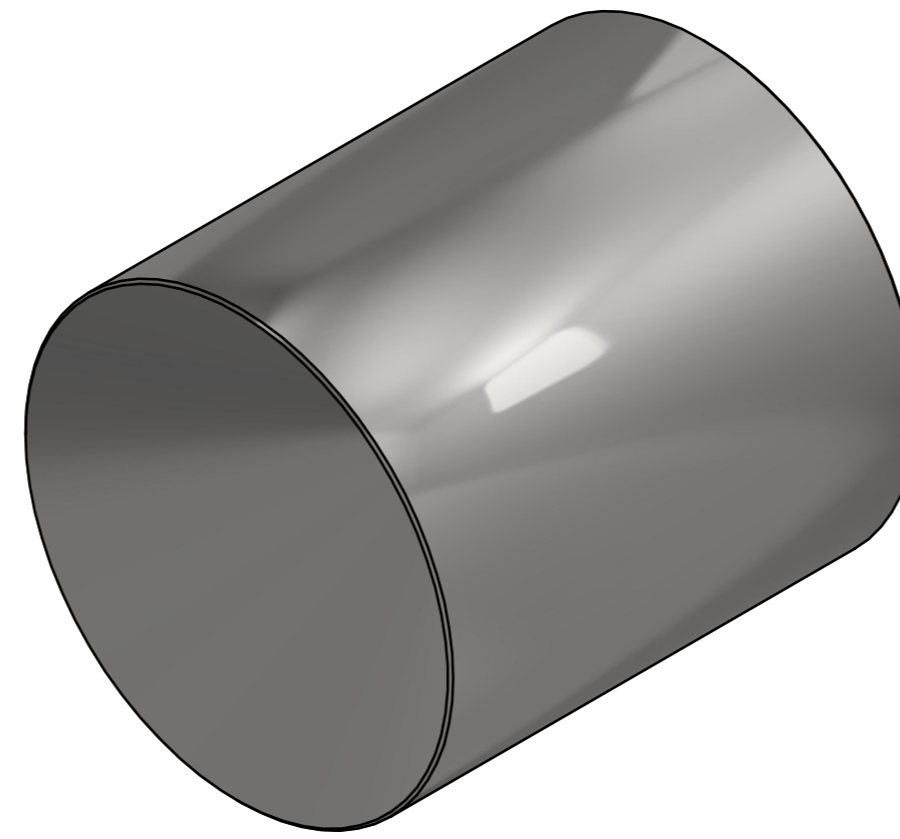


| DOC.NR. | REV | DATE | BY | DESCRIPTION |
|---------|-----|-----------|----|------------------|
| GM16008 | - | 24-9-2019 | PV | ORIGINAL DRAWING |



A = LENGTH BY WHICH THE BAR MAGNET CAN BE SHORTENED OR MACHINED WITHOUT BEING DAMAGED

| | | | | | | | |
|---------------|---------------------|--|------------------|----------------------|-------------|----------------------------|--------------------------|
| RAW MAT. | 1 | Quantity | Material Number | Material Description | Length (mm) | Width (mm) | |
| Sheet: | A2 | Extra info: | POTMAGNET AINICO | | | General tolerance: | ISO 2768- mK |
| Drawn: | PV | Weight (kg): | 0,21 | | | Drawn according: | ISO268; ISO1101; ISO2553 |
| Date: | 5-8-2019 | Status: | Standard | | | Customer reference number: | |
| Spare part: | False | Source: | | | | Document number: | GM16008 |
| Quick search: | POTGM | <small>© All rights reserved. Reproduction is not permitted without written permission of GOUDSMIT Magnetic Systems BV</small> | | | Doc.Rev: | - | |
| Description: | PM-BM-A-ST-D32h6x35 | | | Part number: | GM16008 | | |
| | | | | | Rev: | - | |