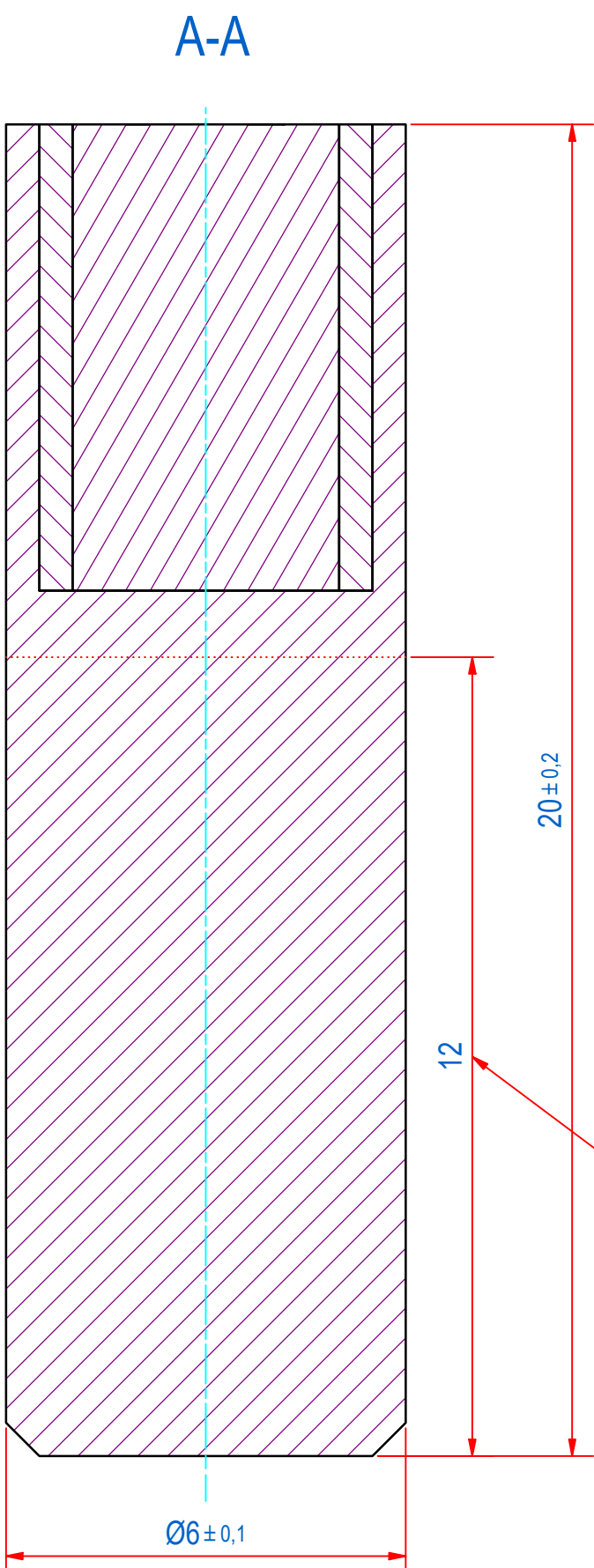
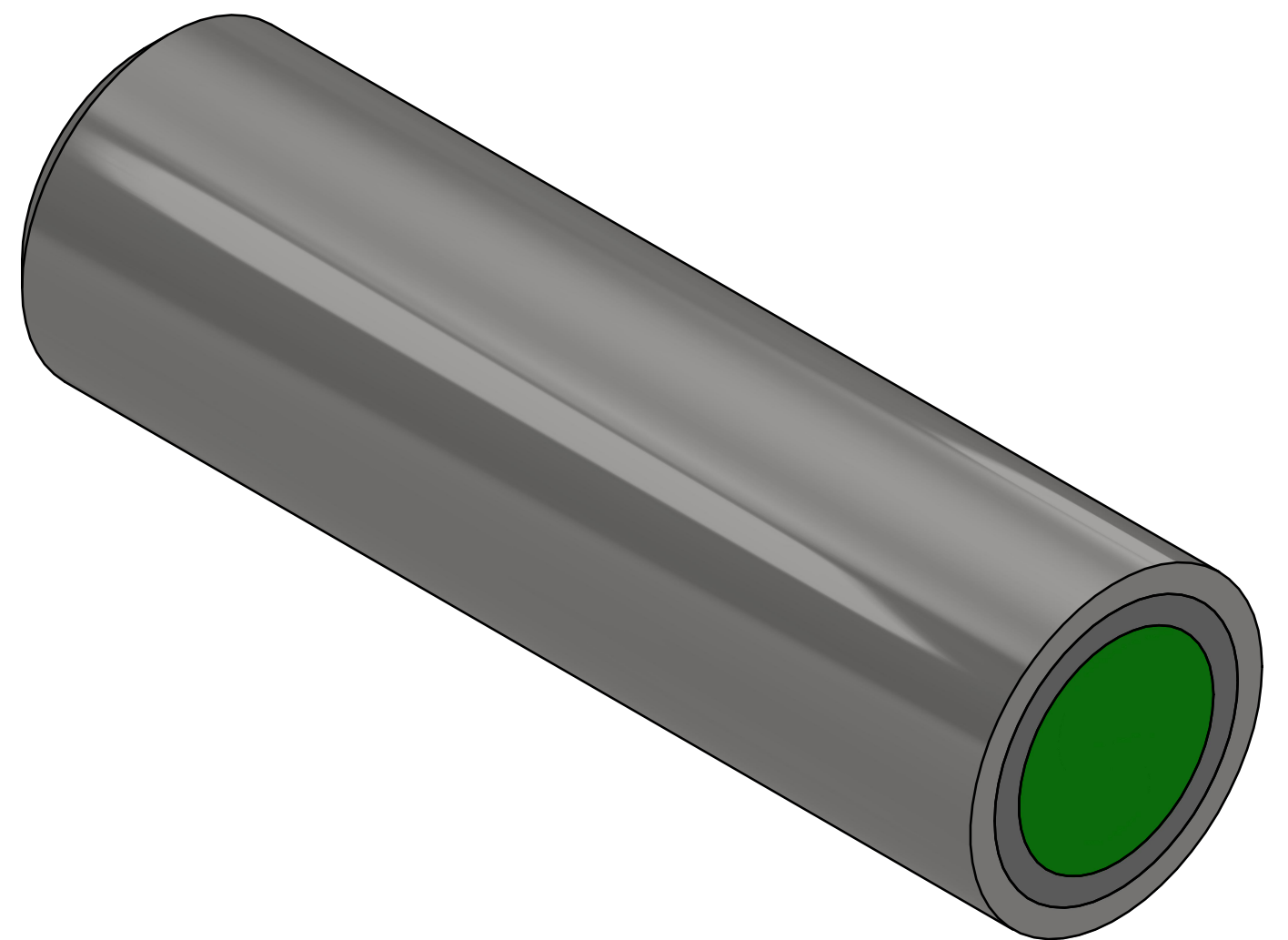
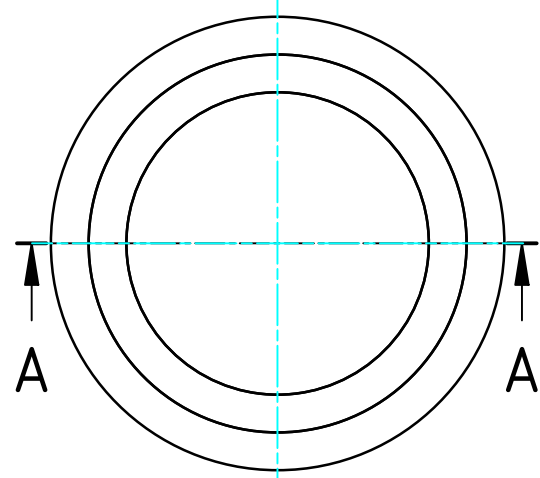


DOC.NR.	REV	DATE	BY	DESCRIPTION
GM16101	-	29-6-2020	TM	ORIGINAL DRAWING



Max. length by which the bar magnet can be shortened or machined without being damaged.

RAW MAT.	1	Quantity	Material Number	Material Description	Length (mm)	Width (mm)
Sheet:	A2	Drawn:	TM	Extra info: POT MAGNET AINiCo Zinc coated	General tolerance: ISO 2768- mK	
Date:	29-6-2020	Weight (kg):	0,004		Drawn according: ISO268; ISO1101; ISO2553	
Spare part:	False	Source:	POTGM		Status: Standard	Customer reference number: S6
Quick search:	POTGM	© All rights reserved. Reproduction is not permitted without written permission of GOUDSMIT Magnetic Systems BV			Document number:	Doc.Rev:
Description:	PM-BM-A-SG-D6x20				GM16101	-
					Part number:	Rev:
					GM16101	-