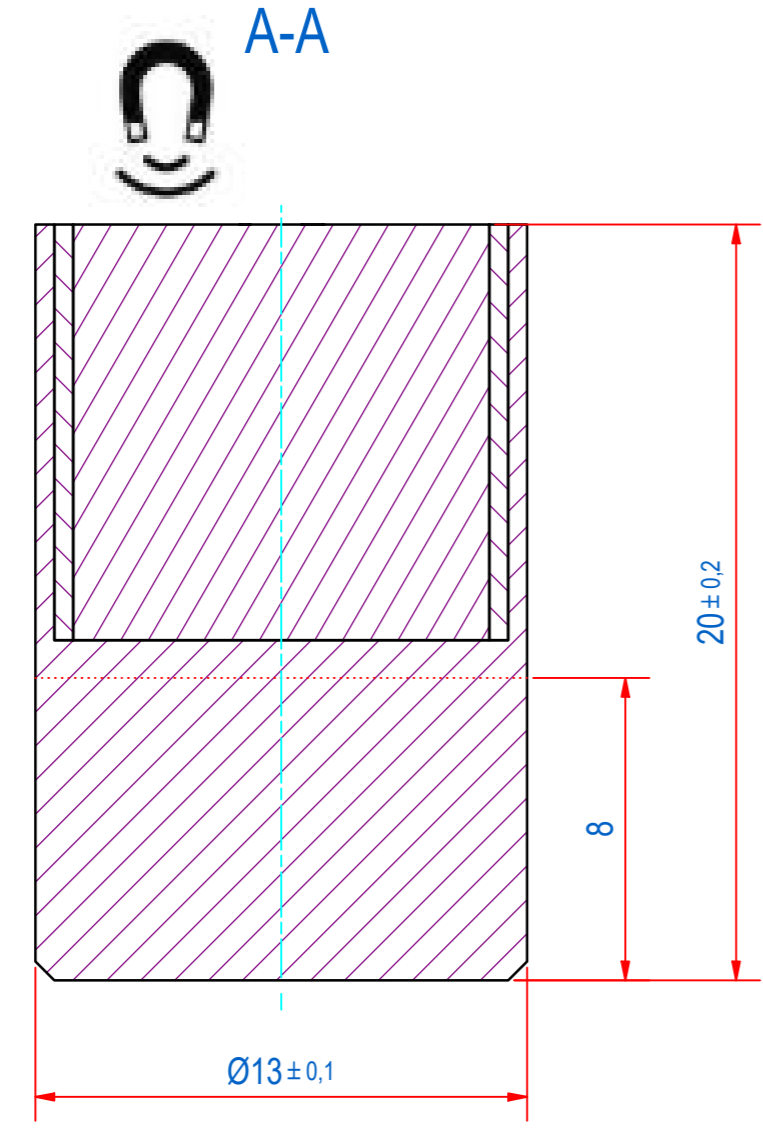
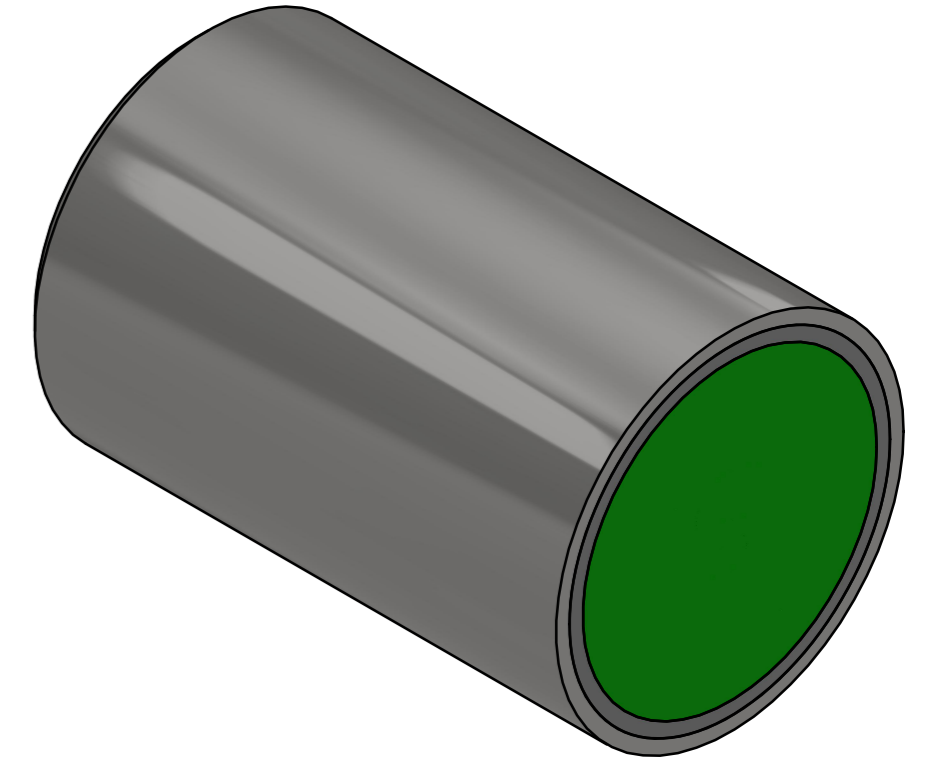
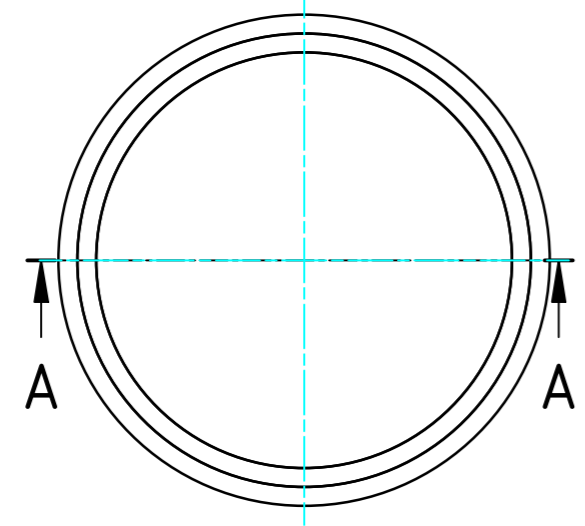


DOC.NR.	REV	DATE	BY	DESCRIPTION
GM16104	-	29-6-2020	TM	ORIGINAL DRAWING



RAW MAT.	Quantity	Material Number	Material Description	Length (mm)	Width (mm)
1					
Sheet: A2		Extra info: POT MAGNET AINiCo <i>Zinc coated</i>		General tolerance: ISO 2768 - mK	
Drawn: TM		Weight (kg): 0,019		Drawn according: ISO268; ISO1101; ISO2553	
Date: 29-6-2020				Status: Standard	
Spare part: False				Customer reference number: S13	
Quick search: POTGM		<small>© All rights reserved. Reproduction is not permitted without written permission of GOUDSMIT Magnetic Systems BV</small>		Document number: GM16104 Doc.Rev: -	
Description: PM-BM-A-SG-D13x20				Part number: GM16104 Rev: -	