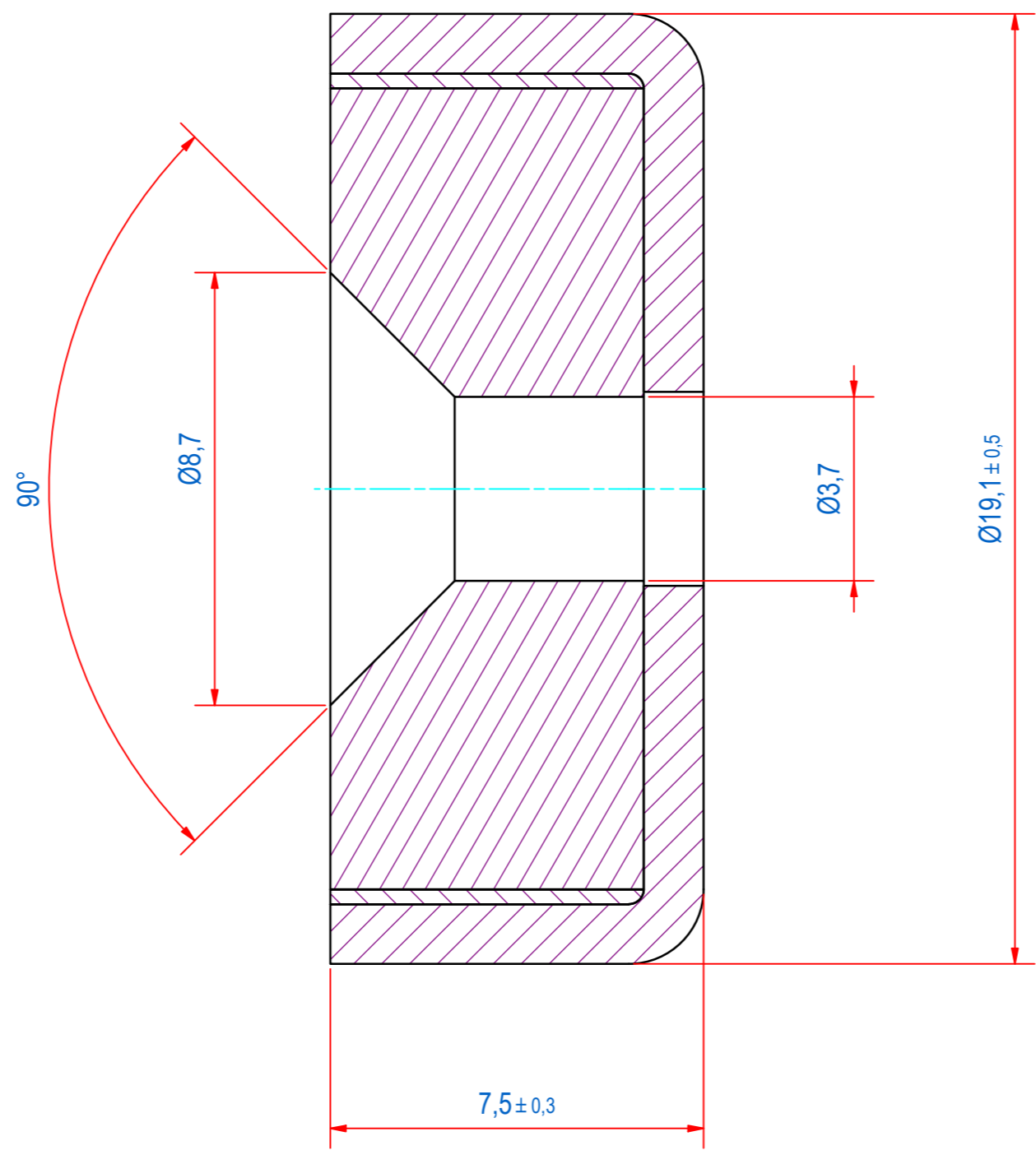
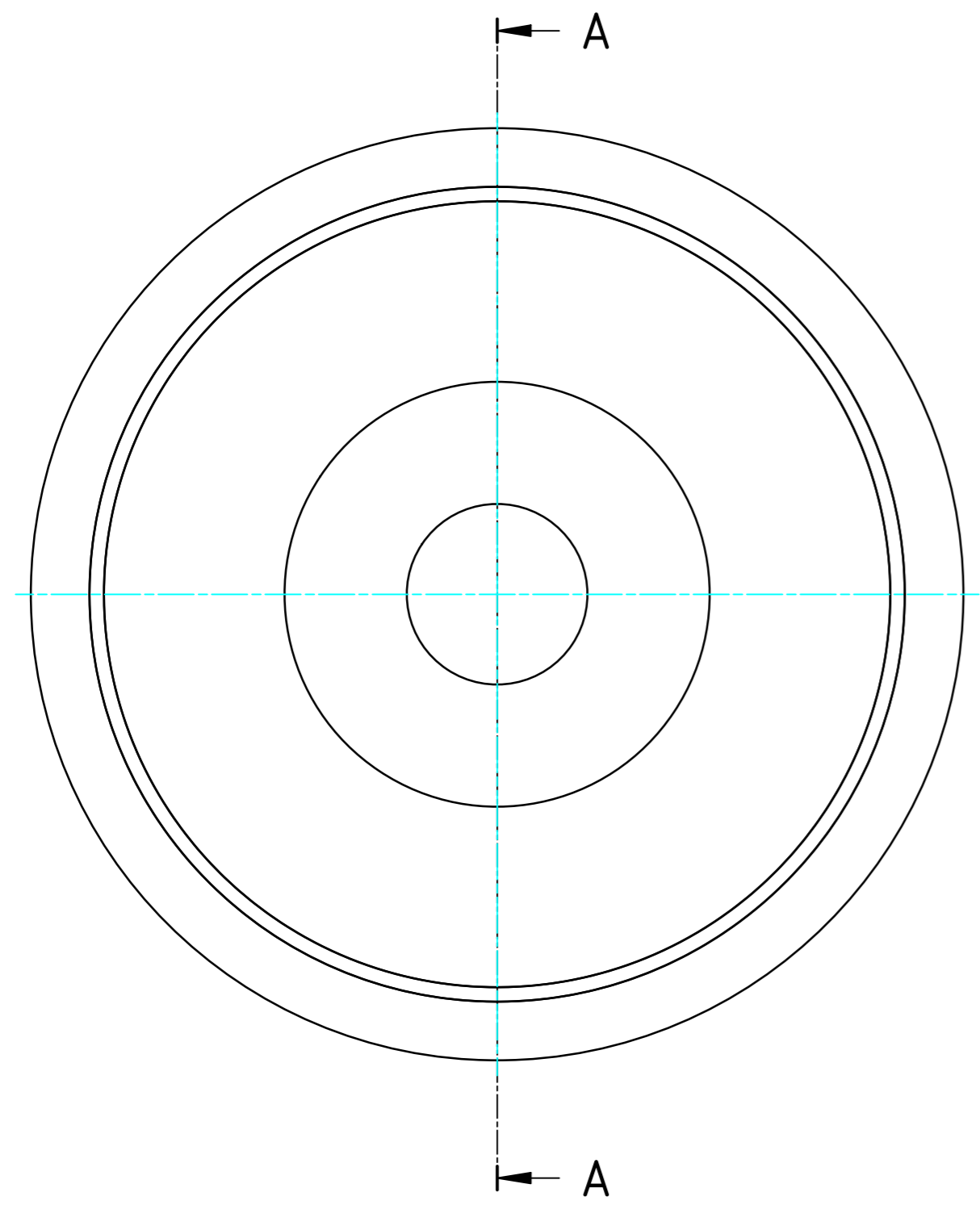
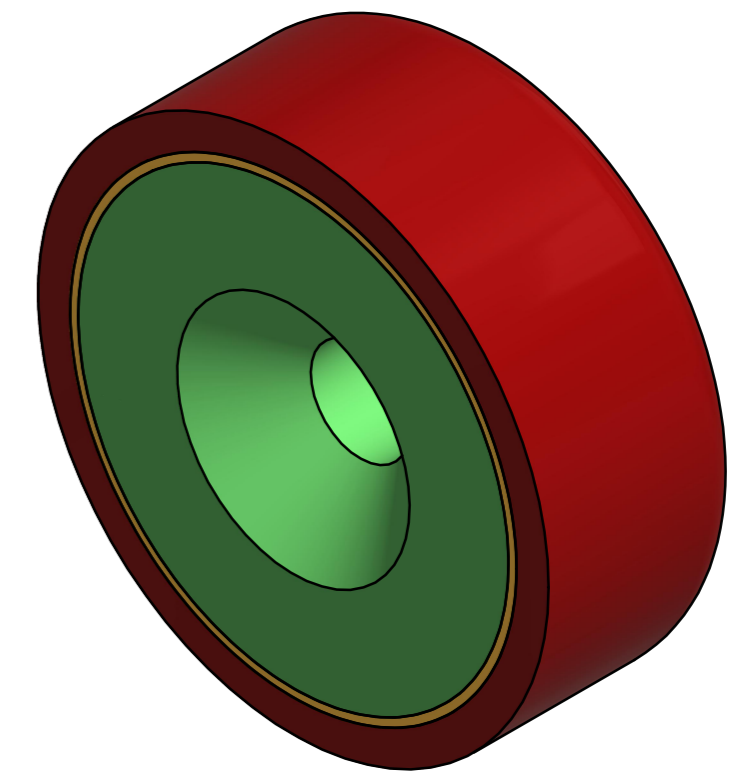
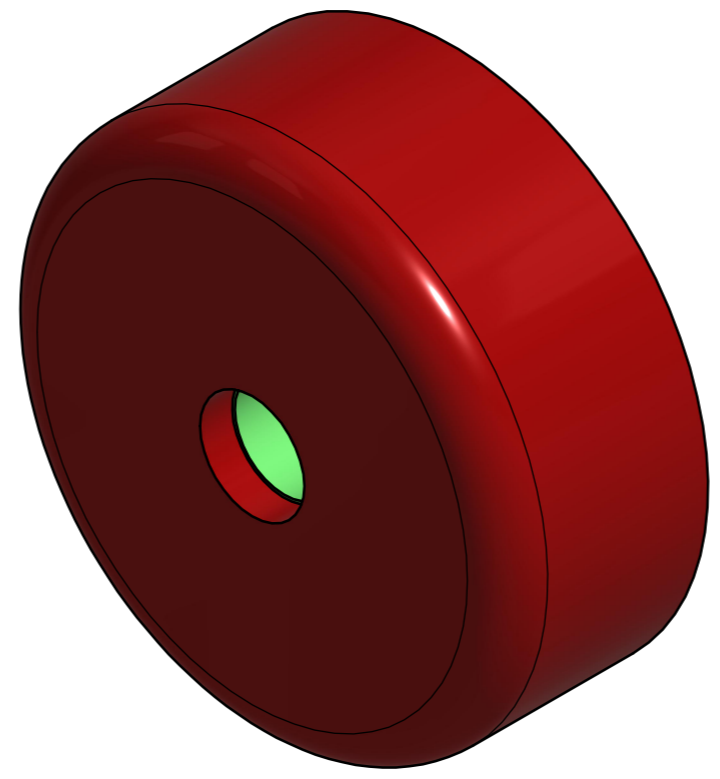


DOC.NR.	REV	DATE	BY	DESCRIPTION
GM16201	-	24-9-2019	PV	ORIGINAL DRAWING



RAW MAT.	1	Quantity	Material Number	Material Description	Length (mm)	Width (mm)
Symbol	Sheet: A2	Extra info:	POTMAGNET AINICO		General tolerance: ISO 2768- mK	
Drawn: PV	Weight (kg): 0,016	Date: 7-8-2019	GOUDSMIT MAGNETICS		Drawn according: ISO268; ISO1101; ISO2553	
Spare part: False	Source:	Quick search: POTGM	© All rights reserved. Reproduction is not permitted without written permission of GOUDSMIT Magnetic Systems BV		Status: Standard	
Description: PM-HS-A-SR-D19.1x7.5xd3.7/8.7	Part number: GM16201	Doc.Rev: -	Document number: GM16201		Customer reference number:	