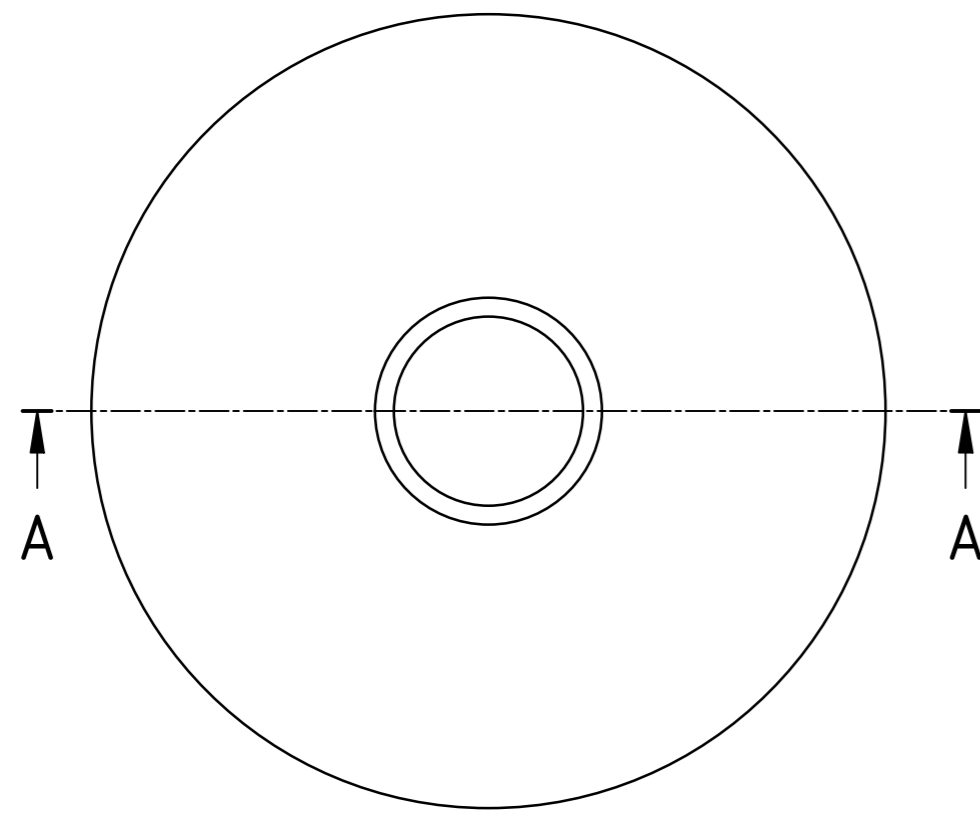
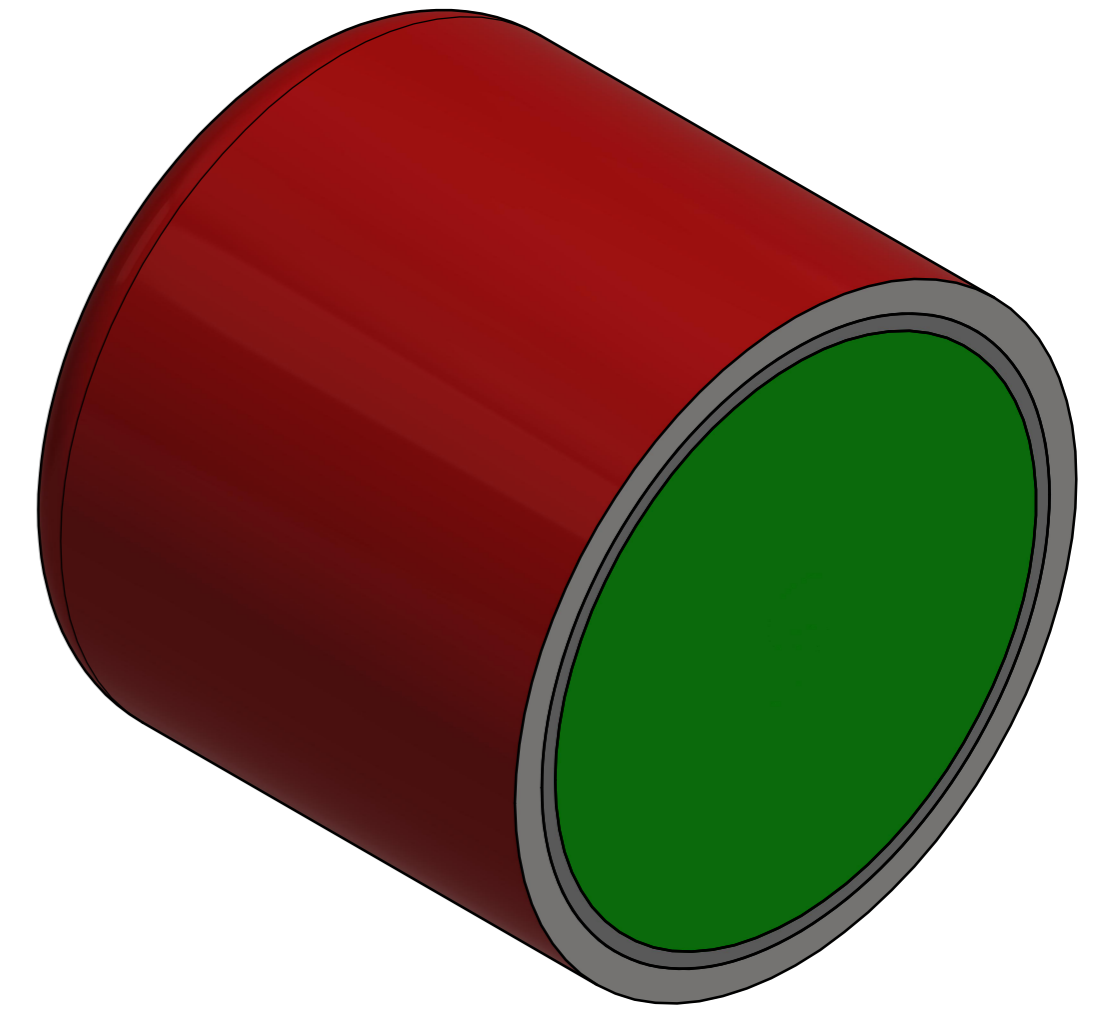
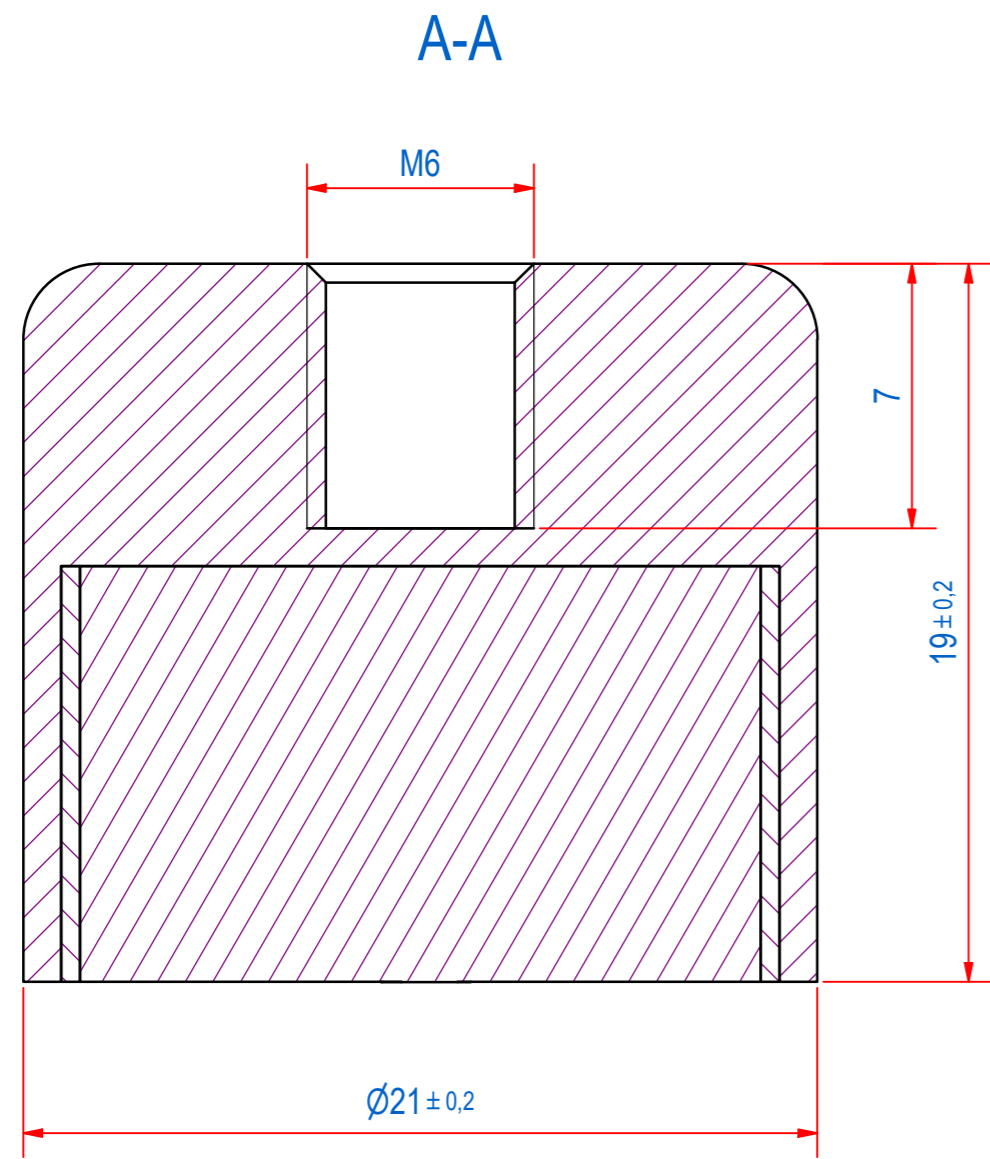


DOC.NR.	REV	DATE	BY	DESCRIPTION
GM16251	-	29-6-2020	TM	ORIGINAL DRAWING



RAW MAT.	Quantity	Material Number	Material Description	Length (mm)	Width (mm)
1					
Sheet:	A2	Extra info:	Potmagnet AlNiCo	General tolerance:	ISO 2768- mK
Drawn:	TM	Weight (kg):	0,047	Drawn according:	ISO268; ISO1101; ISO2553
Date:	29-6-2020			Status:	Standard
Spare part:	False	Source:		Customer reference number:	S20R
Quick search:	POTGM			Document number:	GM16251
Description:	PM-TI-A-SR-D21x19xM6x7			Part number:	GM16251
<p>© All rights reserved. Reproduction is not permitted without written permission of GOUDSMIT Magnetic Systems BV</p>				Doc.Rev:	-
				Rev:	-