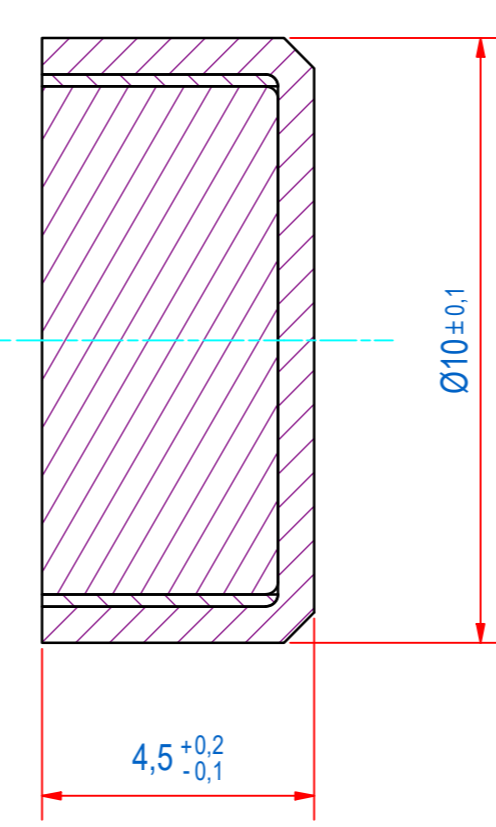
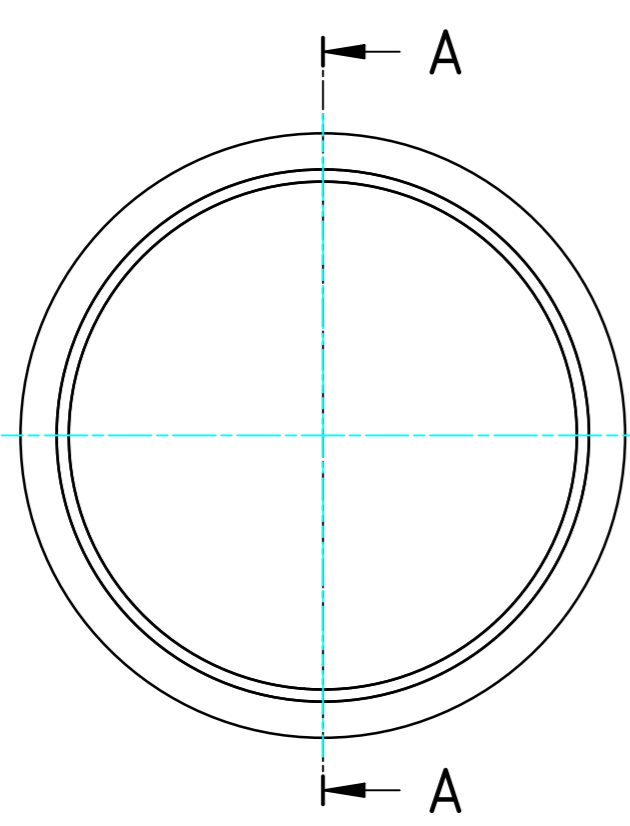
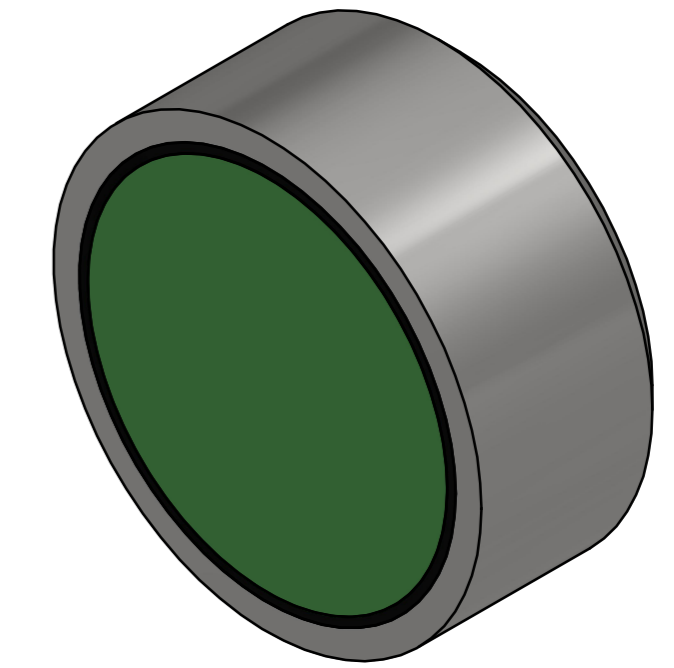
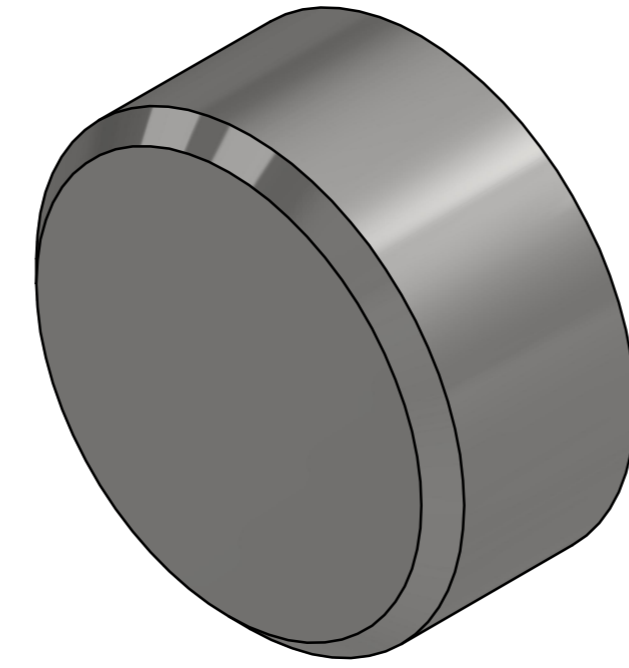


DOC.NR.	REV	DATE	BY	DESCRIPTION
E0120451	-	24-9-2019	PV	ORIGINAL DRAWING



SURFACE TREATMENT: ZINC PLATED

RAW MAT.	1							
Quantity		Material Number		Material Description		Length (mm)	Width (mm)	
Sheet:	A2	Extra info:	POTMAGNET FERRITE	General tolerance:	ISO 2768 - mK			
Drawn:	PV	Weight (kg):	0,003	Drawn according:	ISO268; ISO1101; ISO2553			
Date:	7-8-2019			Status:	Standard			
Spare part:	False	Source:		Customer reference number:				
Quick search:	POTGM			Document number:	E0120451	Doc.Rev:		
Description:	PM-BA-F-SG-D10x4.5				Part number:	GM16401	Rev:	



© All rights reserved. Reproduction is not permitted without written permission of GOUDSMIT Magnetic Systems BV