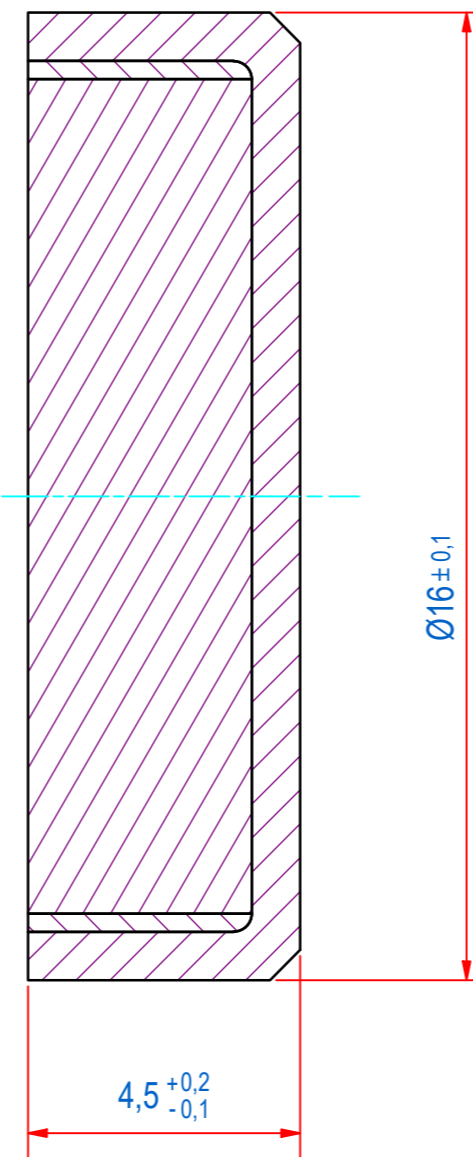
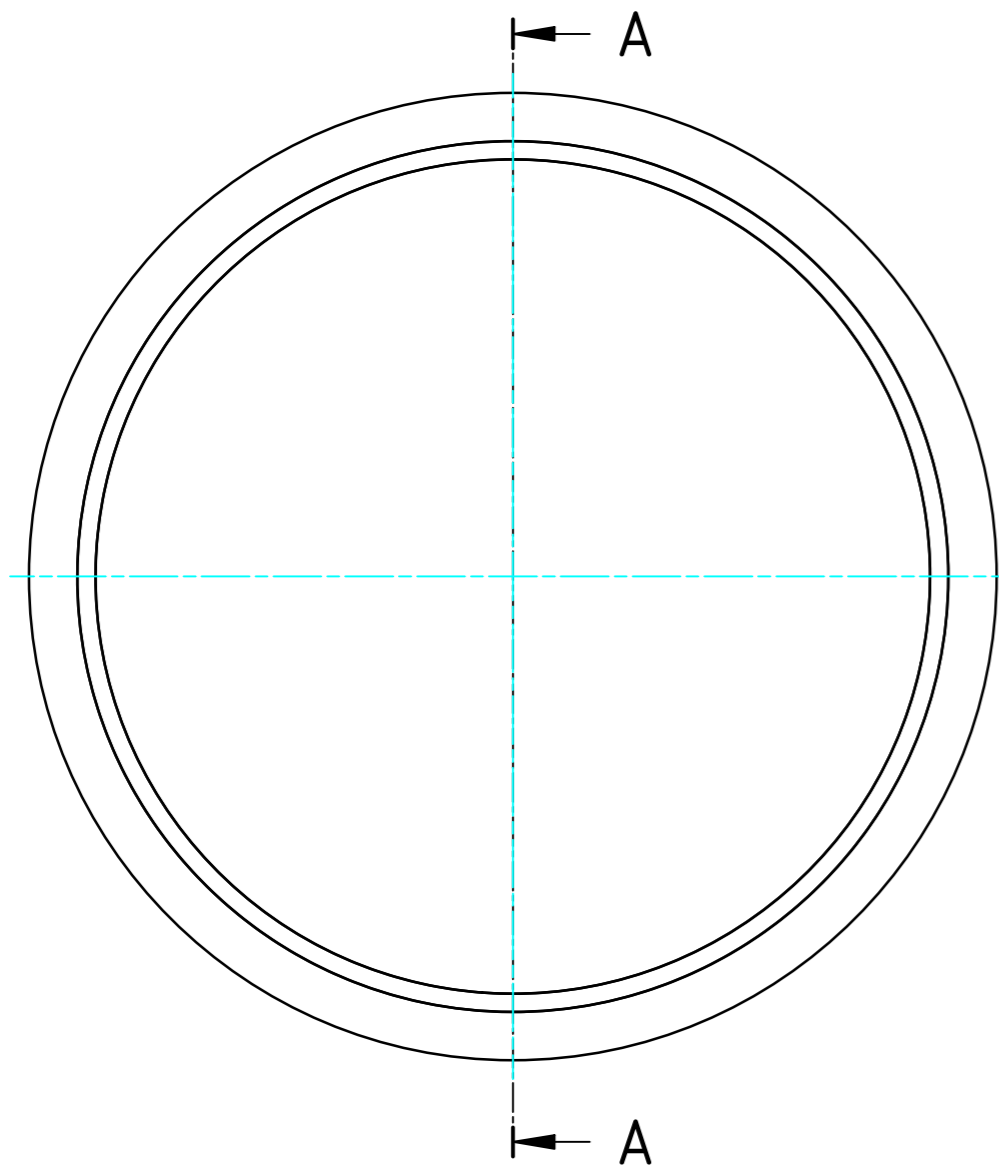
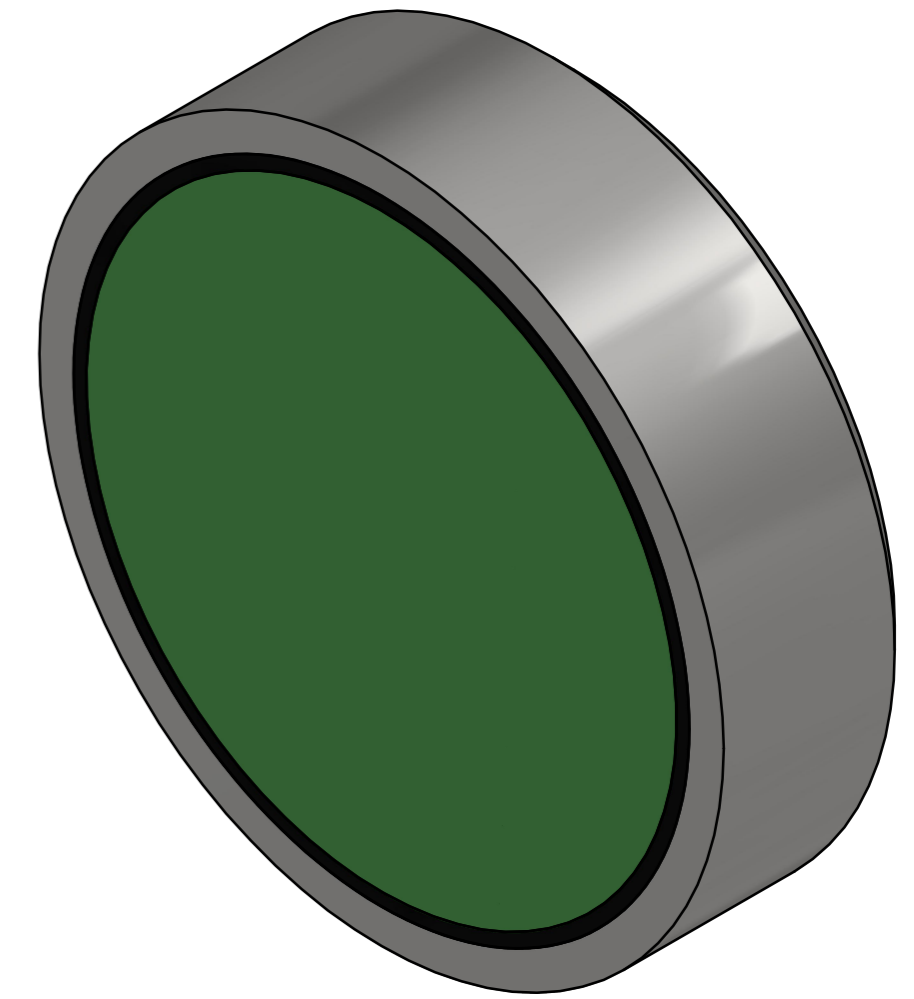
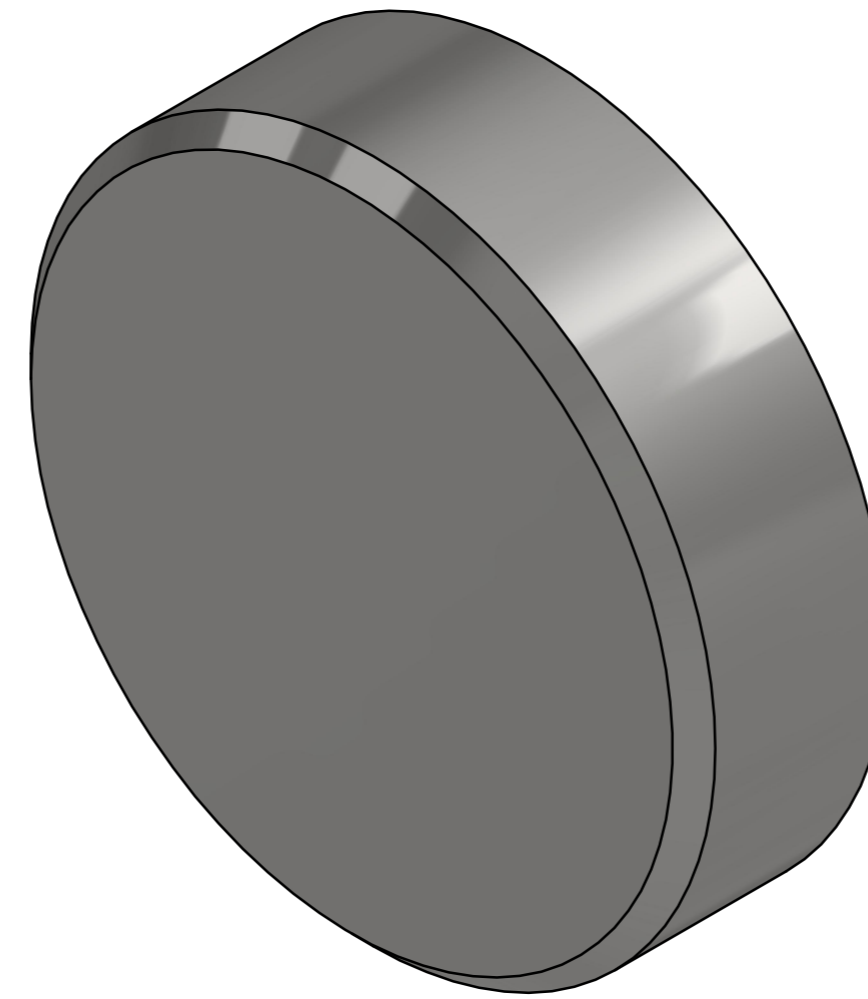


DOC.NR.	REV	DATE	BY	DESCRIPTION
E0120589	-	24-9-2019	PV	ORIGINAL DRAWING



SURFACE TREATMENT: ZINC PLATED

RAW MAT.	1	Quantity	Material Number	Material Description	Length (mm)	Width (mm)
Sheet:	A2	Extra info:	POTMAGNET FERRIET		General tolerance: ISO 2768- mK	
Drawn:	PV	Weight (kg):	0,007		Drawn according: ISO268; ISO1101; ISO2553	
Date:	9-8-2019	Source:	GOUDSMIT MAGNETICS		Status: Standard	
Spare part:	False	Quick search:	POTGM		Customer reference number:	
Description:	PM-BA-F-SG-D16x4.5			Document number:	E0120589	Doc.Rev: -
				Part number:	GM16403	Rev: -