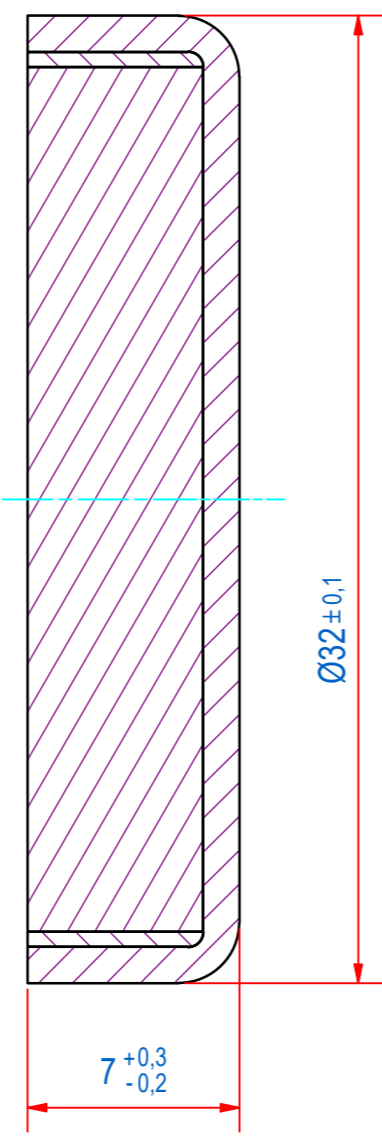
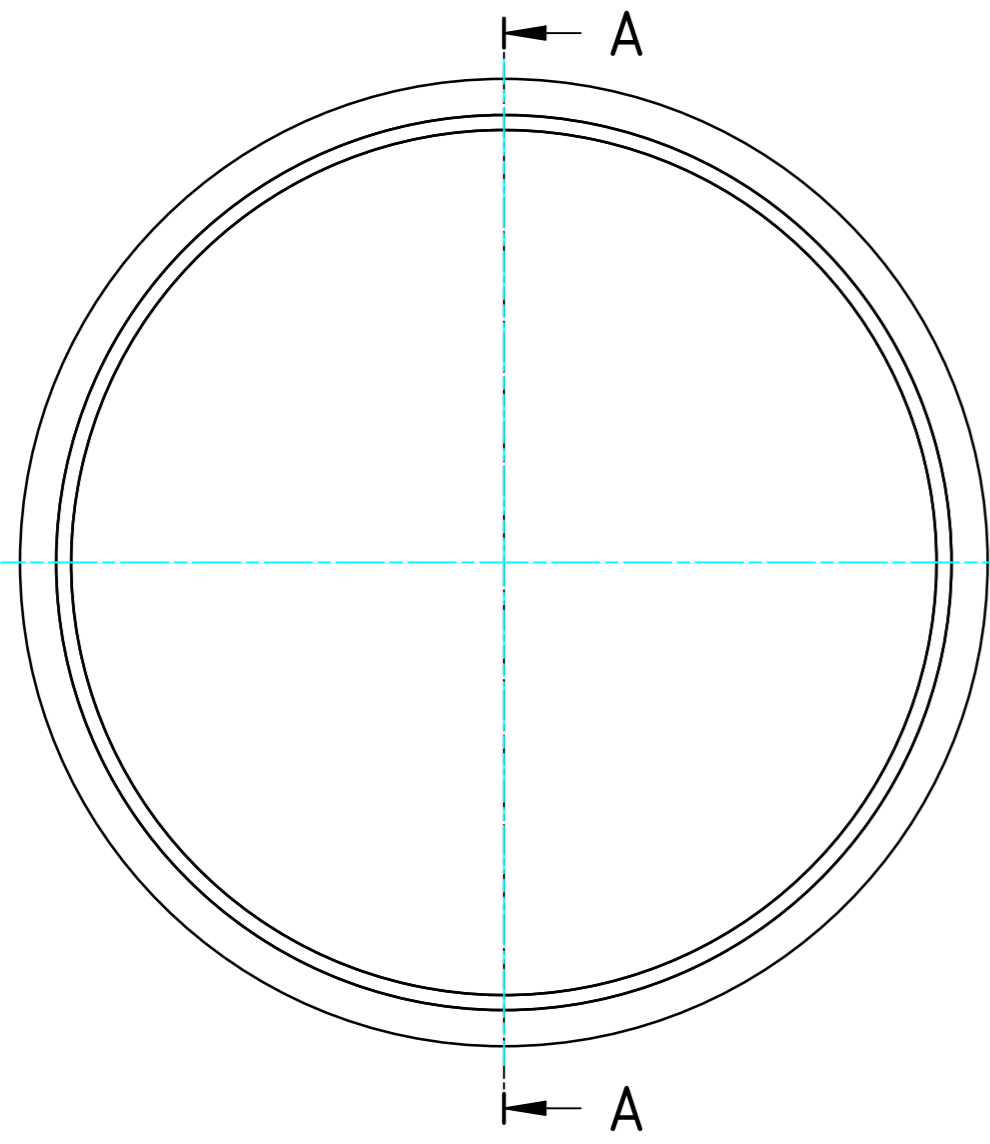
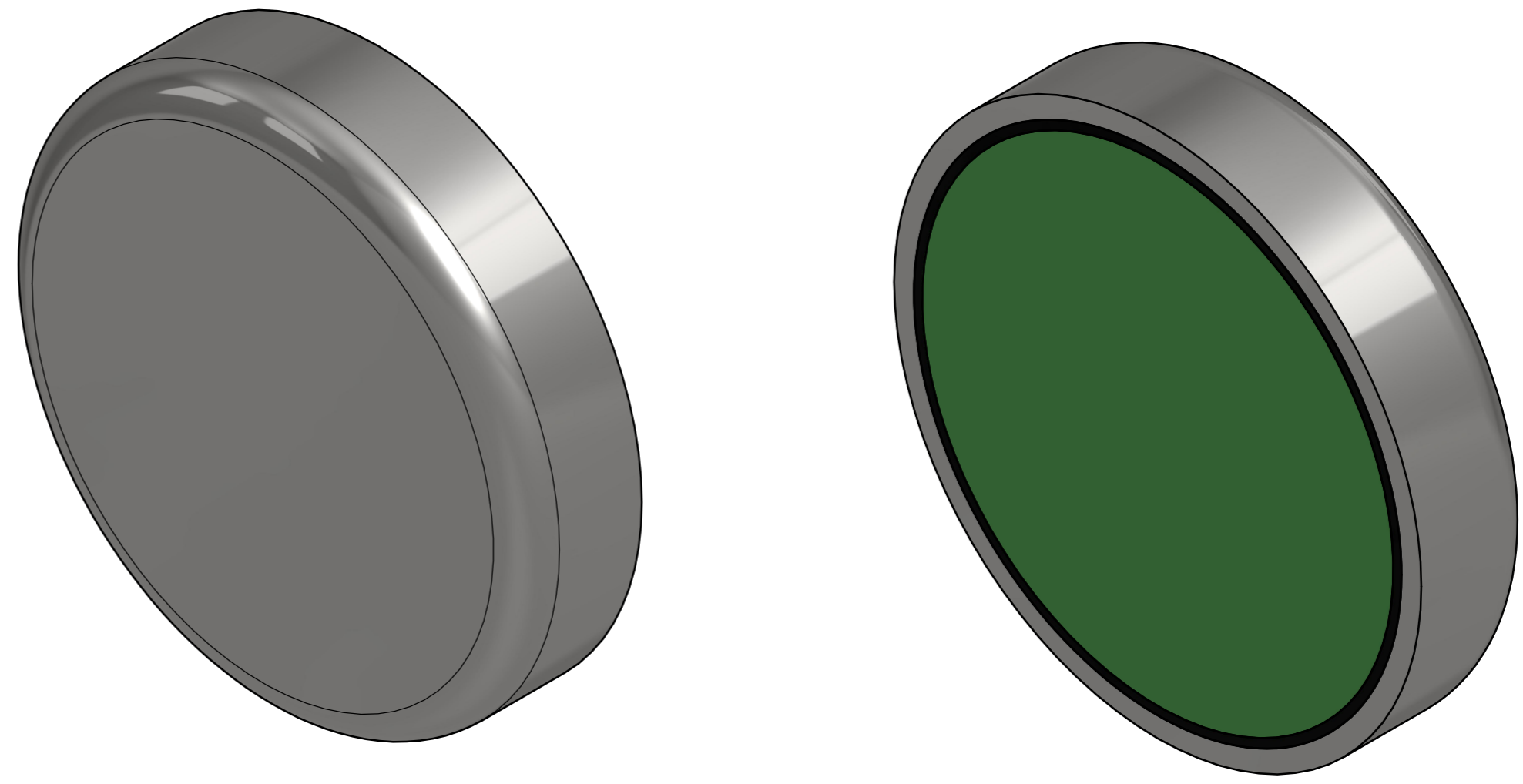


DOC.NR.	REV	DATE	BY	DESCRIPTION
E0120619	-	25-9-2019	PV	ORIGINAL DRAWING



SURFACE TREATMENT: ZINC PLATED

RAW MAT.	1	Quantity	Material Number	Material Description	Length (mm)	Width (mm)
Sheet:	A2	Extra info:	POTMAGNETS FERRIET		General tolerance: ISO 2768- mK	
Drawn:	PV	Weight (kg):	0,042		Drawn according: ISO268; ISO1101; ISO2553	
Date:	9-8-2019	Source:	GOUDSMIT MAGNETICS		Status: Standard	
Spare part:	False	Quick search:	POTGM		Customer reference number:	
Description:	PM-BA-F-SG-D32x7				Document number:	Doc.Rev:
					E0120619	-
					Part number:	Rev:
					GM16406	-