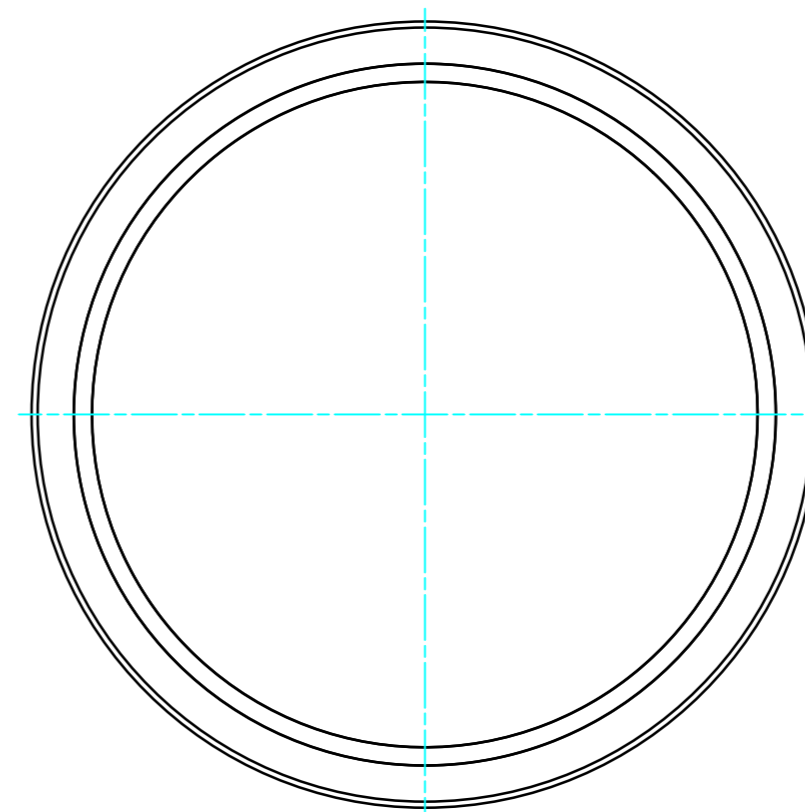
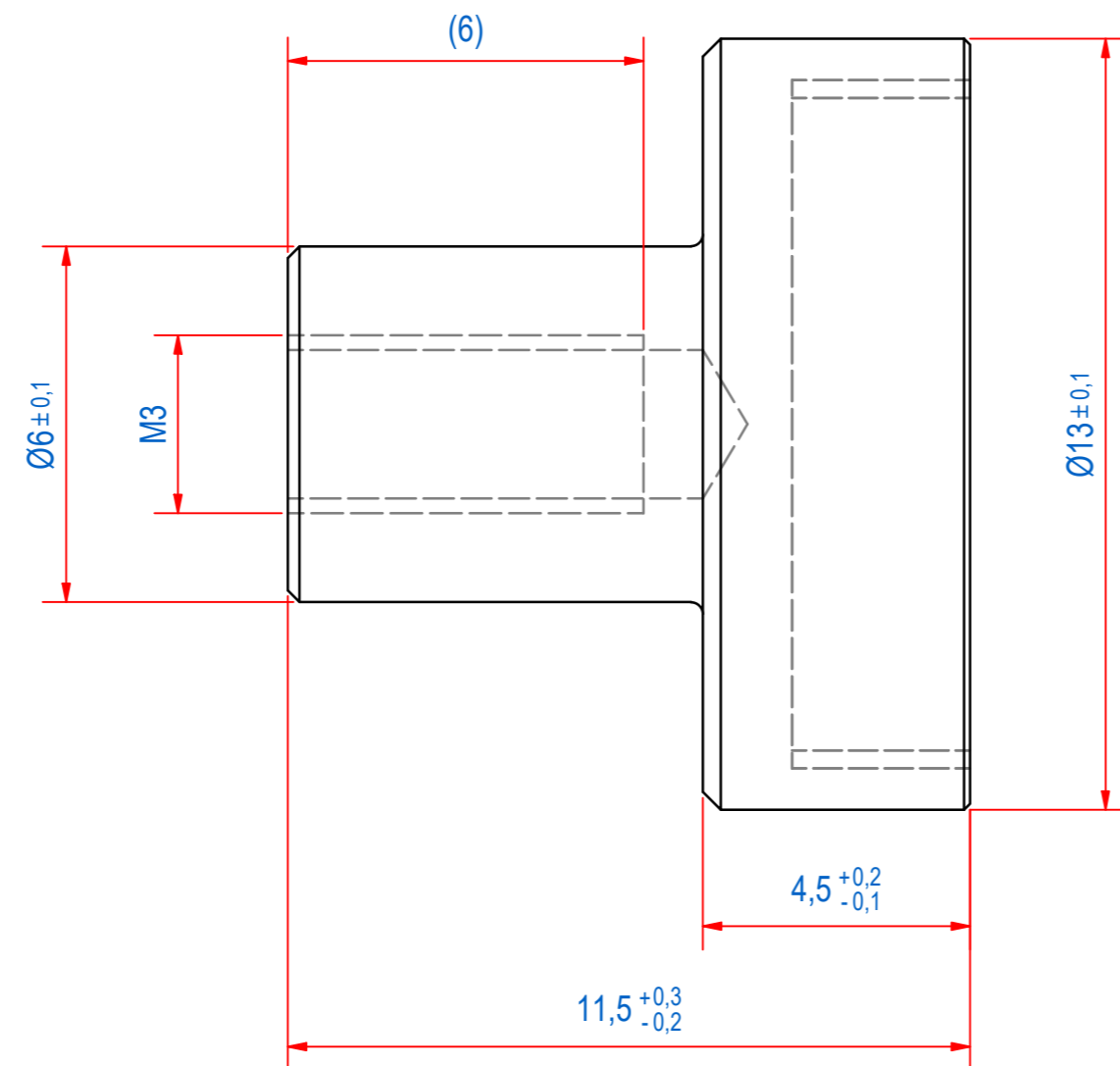
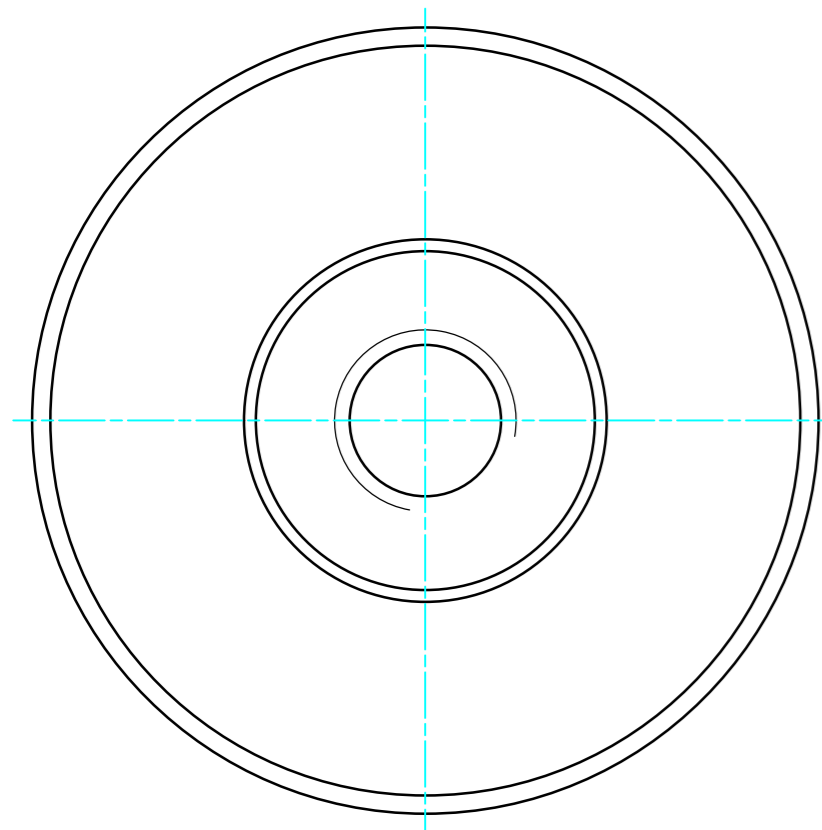
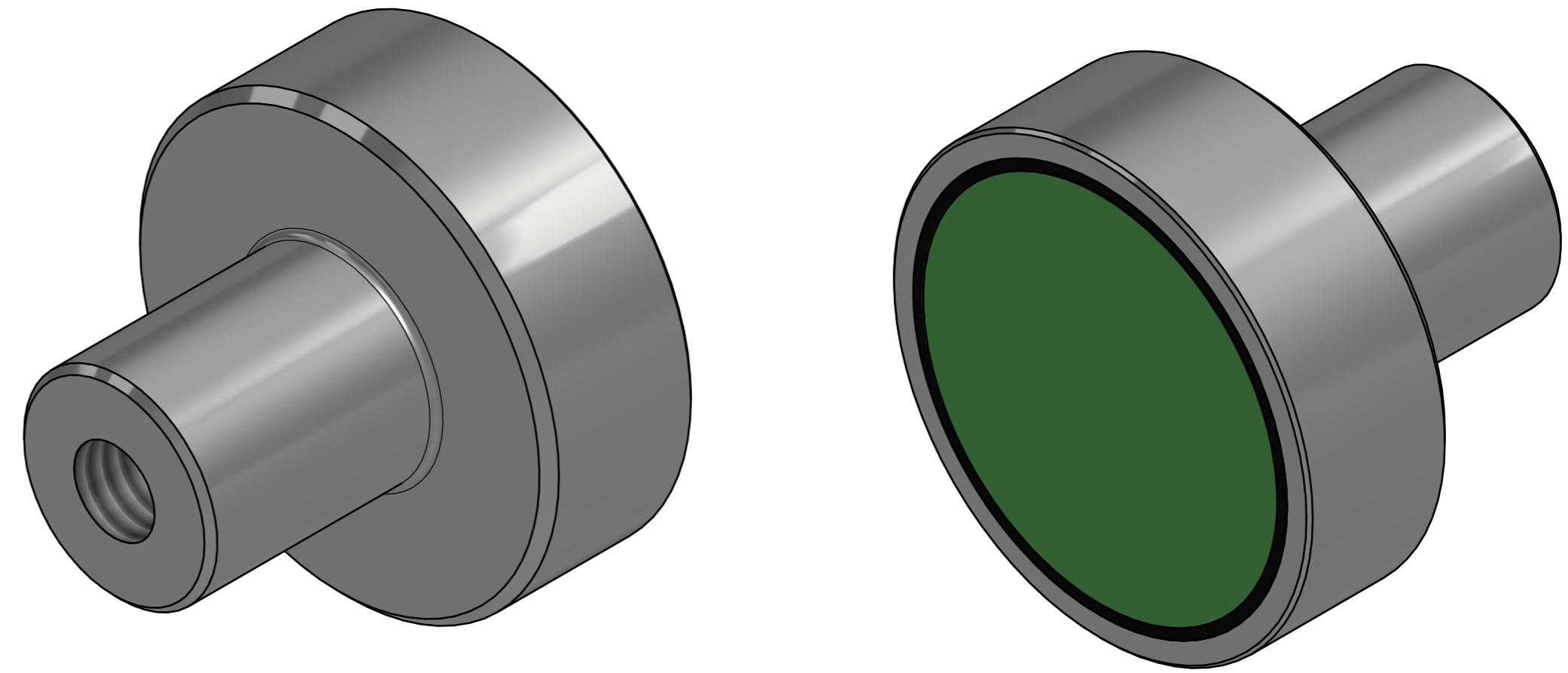


DOC.NR.	REV	DATE	BY	DESCRIPTION
GM16502	-	25-9-2019	PV	ORIGINAL DRAWING



SURFACE TREATMENT: ZINC PLATED

RAW MAT.	1	Quantity	Material Number	Material Description	Length (mm)	Width (mm)
Symbol	Sheet: A2	Extra info:	POTMAGNET FERRITE		General tolerance: ISO 2768- mK	
Drawn: PV	Weight (kg): 0,006	Date:	13-9-2019		Drawn according: ISO268; ISO1101; ISO2553	
Spare part: False	Source:	Quick search:	POTGM		Status: Standard	
Description:			PM-TB-F-SG-D13x4.5x11,5xM3		Customer reference number:	
				Document number: GM16502		Doc.Rev: -
				Part number: GM16502		Rev: -



© All rights reserved. Reproduction is not permitted without written permission of GOUDSMIT Magnetic Systems BV