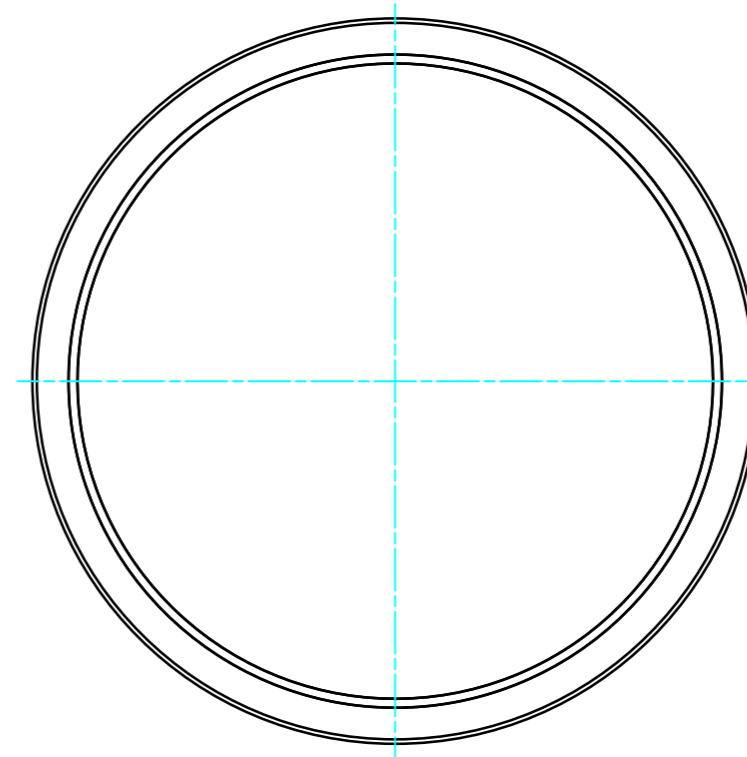
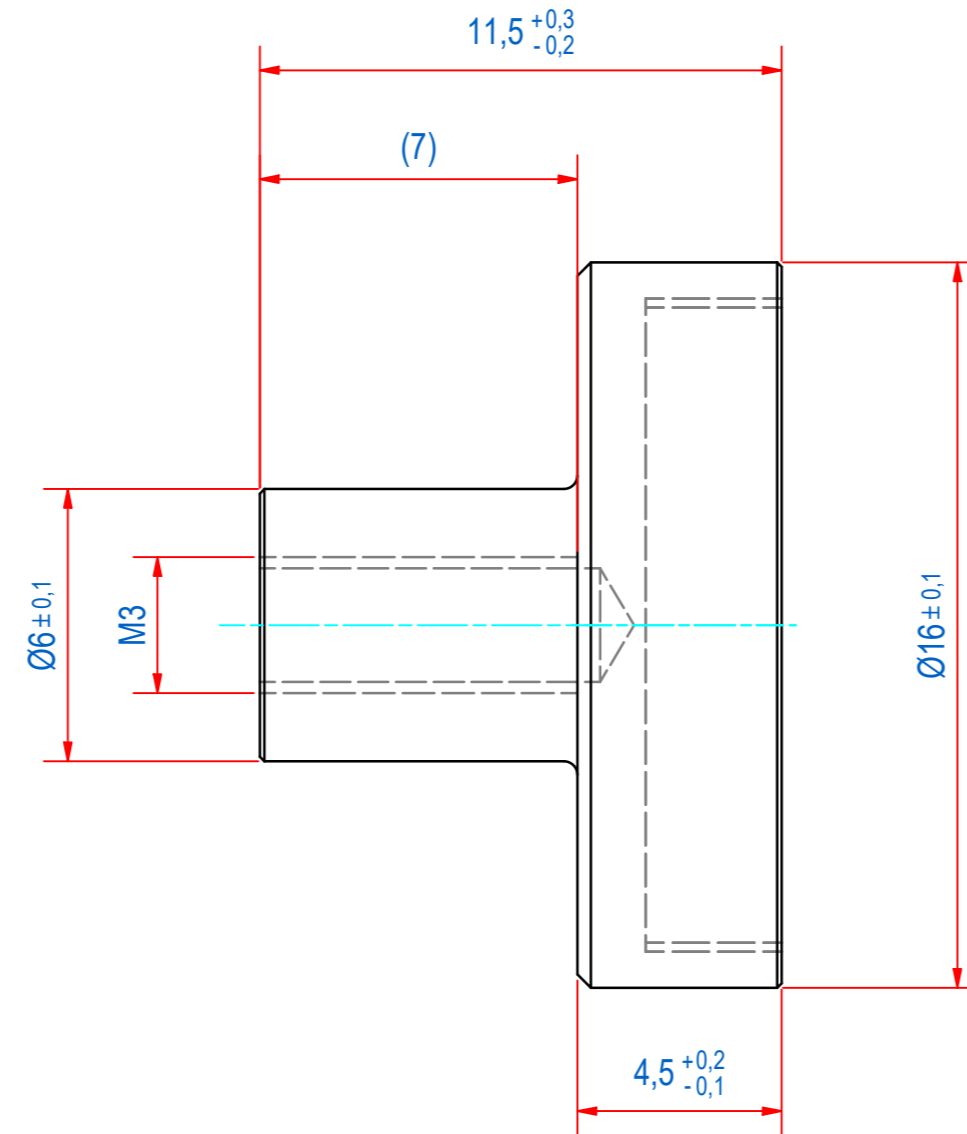
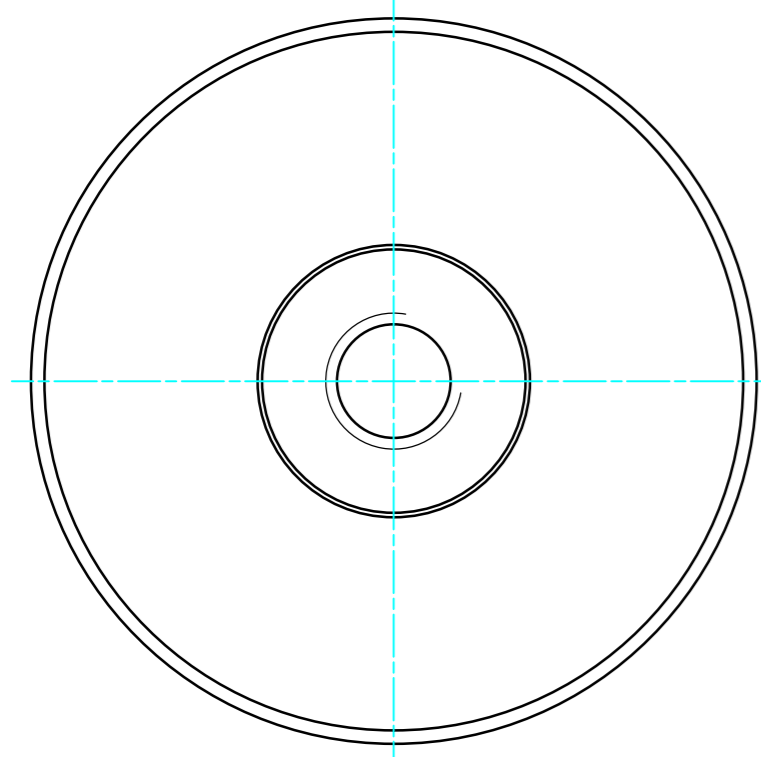
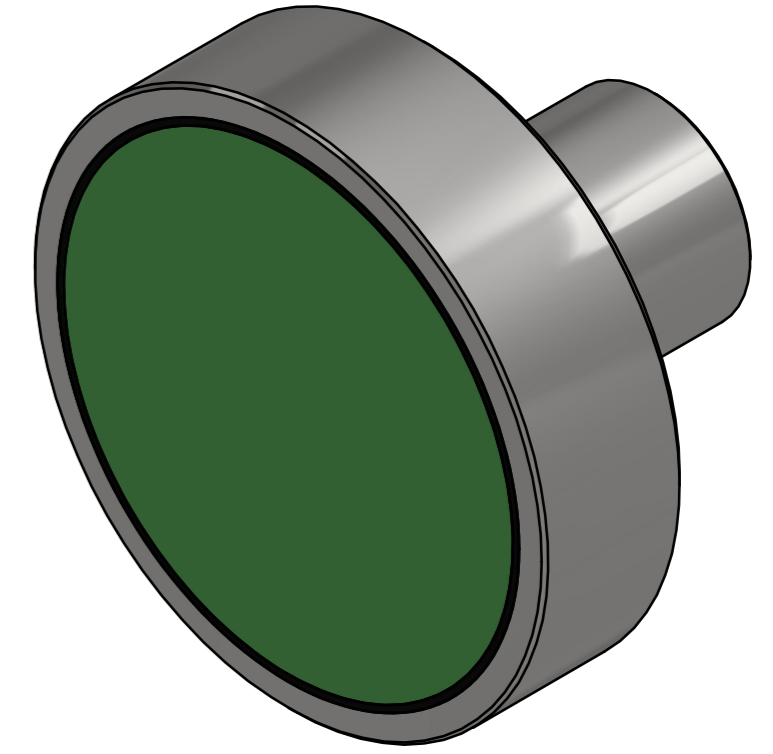
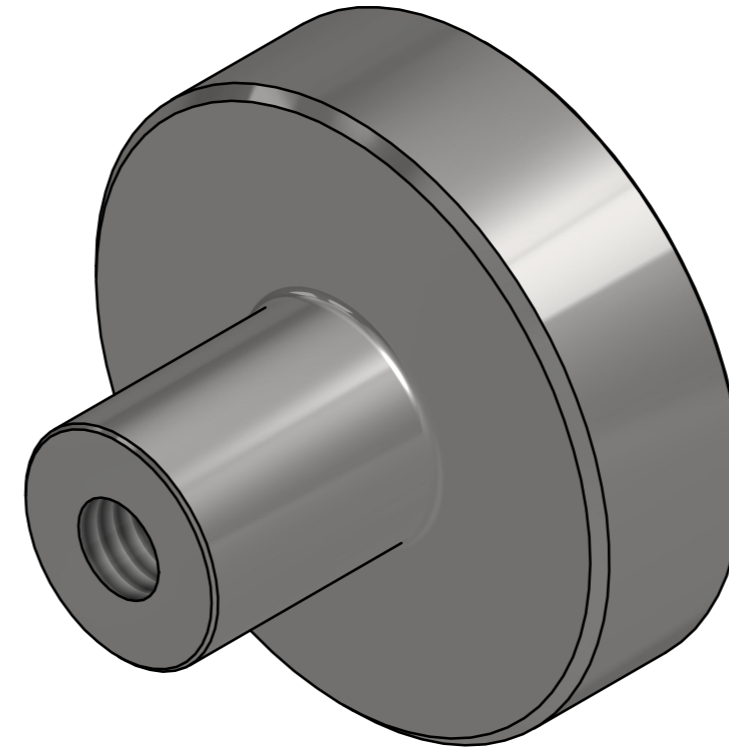


DOC.NR.	REV	DATE	BY	DESCRIPTION
GM16503	-	25-9-2019	PV	ORIGINAL DRAWING
GM16503	A	19-8-2020	TM	TOLERANCE CHANGED



SURFACE TREATMENT: ZINC PLATED

RAW MAT.	1	Quantity	Material Number	Material Description	Length (mm)	Width (mm)
Drawn:	PV	Sheet:	A2	Extra info: POTMAGNET FERRITE	General tolerance: ISO 2768- mK	
Date:	23-9-2019	Weight (kg):	0,008		Drawn according: ISO268; ISO1101; ISO2553	
Spare part:	False	Source:			Status: Standard	
Quick search:	POTGM				Customer reference number:	
Description:	PM-TB-F-SG-D16x4.5x11.5xM3			<small>© All rights reserved. Reproduction is not permitted without written permission of GOUDSMIT Magnetic Systems BV</small>	Document number: GM16503	Doc.Rev: A
					Part number: GM16503	Rev: -