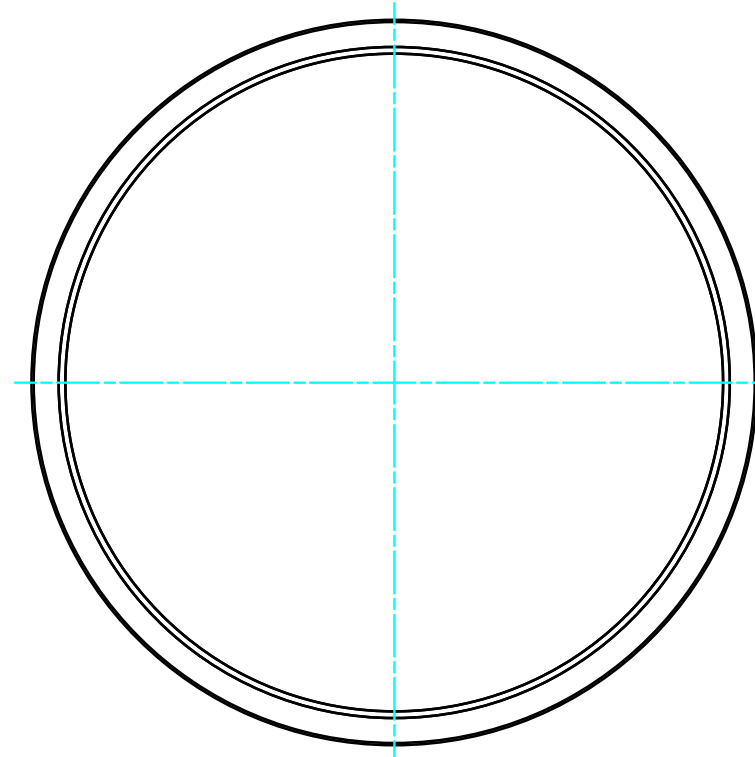
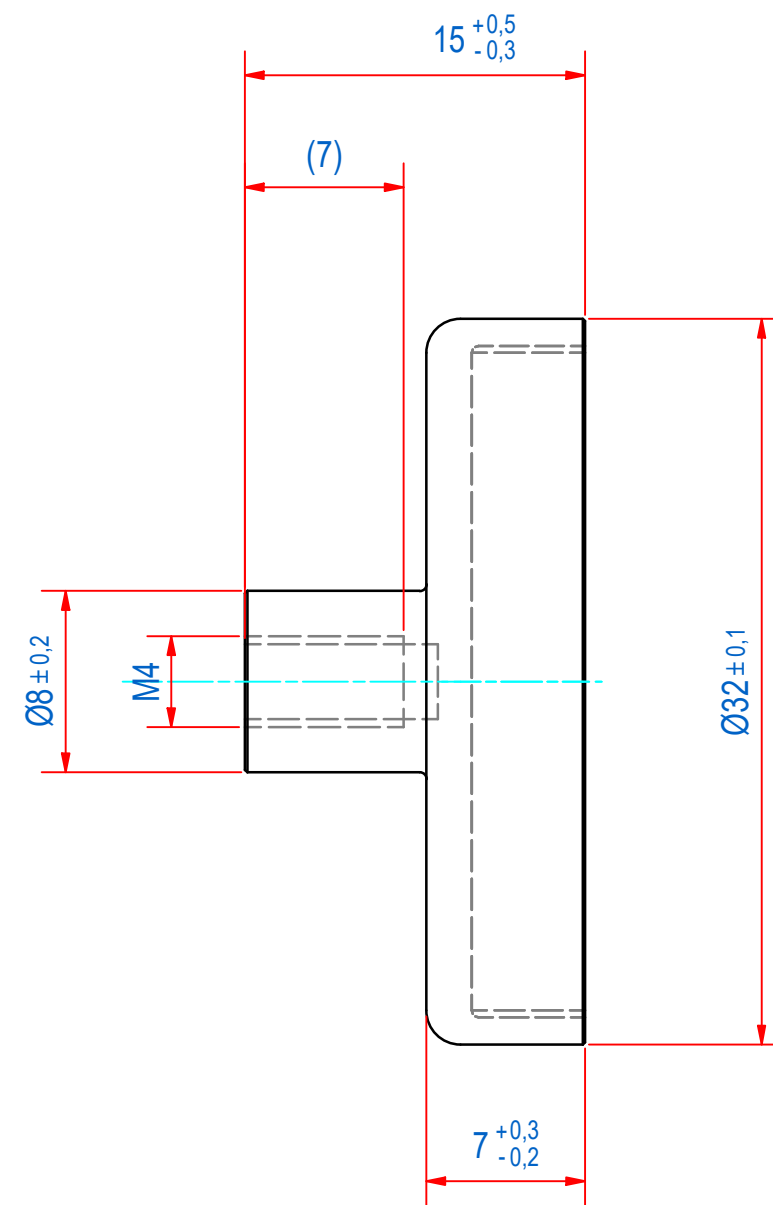
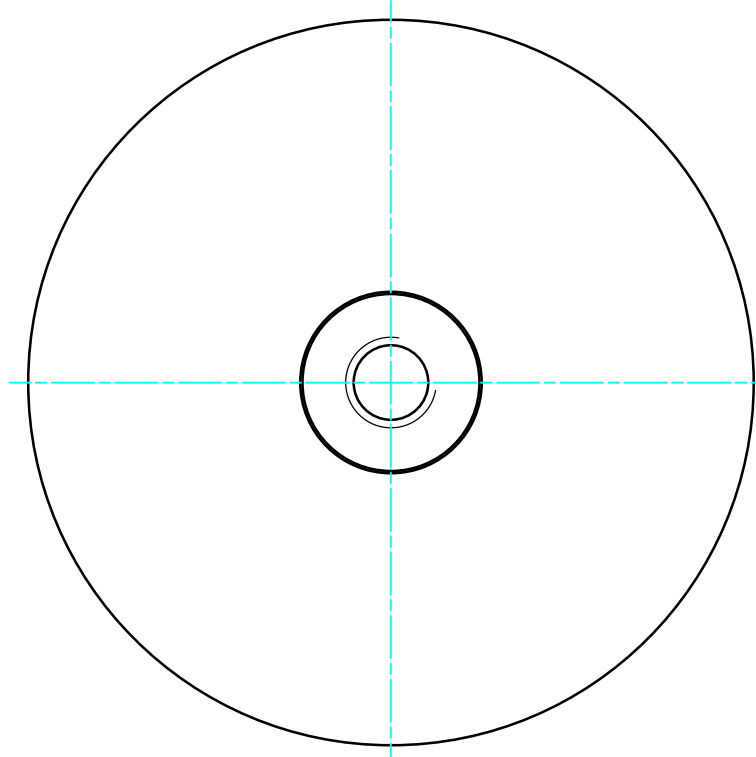
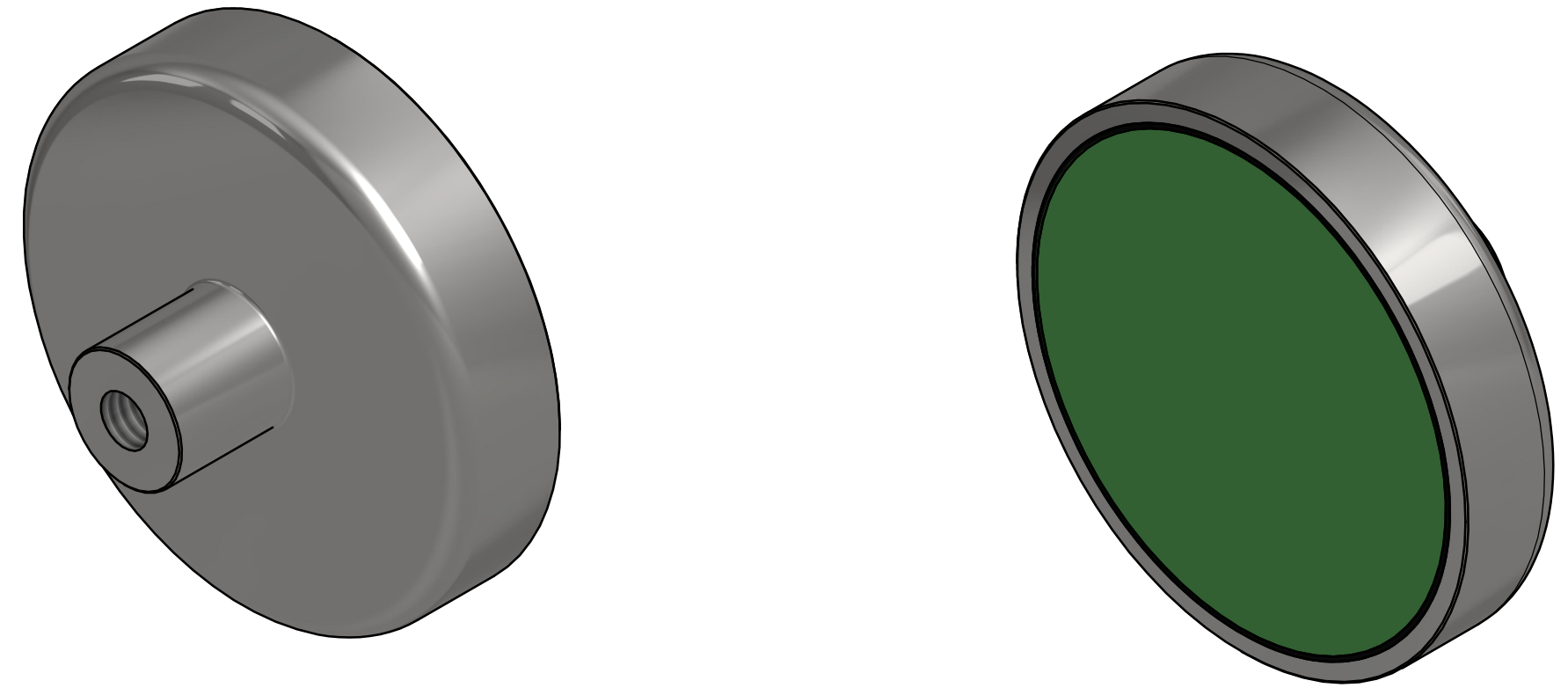


| DOC.NR. | REV | DATE      | BY | DESCRIPTION          |
|---------|-----|-----------|----|----------------------|
| GM16506 | -   | 25-9-2019 | PV | ORIGINAL DRAWING     |
| GM16506 | A   | 19-8-2020 | TM | TOLERANCES CORRECTED |



SURFACE TREATMENT: ZINC PLATED

|               |                        |                    |                          |                            |                   |            |
|---------------|------------------------|--------------------|--------------------------|----------------------------|-------------------|------------|
| RAW MAT.      | 1                      | Quantity           | Material Number          | Material Description       | Length (mm)       | Width (mm) |
| Drawn:        | PV                     | Weight (kg):       | 0,045                    | Extra info:                | POTMAGNET FERRITE |            |
| Date:         | 23-9-2019              | General tolerance: | ISO 2768 - mK            |                            |                   |            |
| Spare part:   | False                  | Drawn according:   | ISO268; ISO1101; ISO2553 |                            |                   |            |
| Quick search: | POTGM                  | Status:            | Standard                 |                            |                   |            |
| Description:  | PM-TB-F-SG-D32x7x15xM4 |                    |                          | Customer reference number: | GM16506           |            |
|               |                        | Document number:   | GM16506                  |                            | Doc.Rev:          | A          |
|               |                        | Part number:       | GM16506                  |                            | Rev:              | -          |



© All rights reserved. Reproduction is not permitted without written permission of GOUDSMIT Magnetic Systems BV