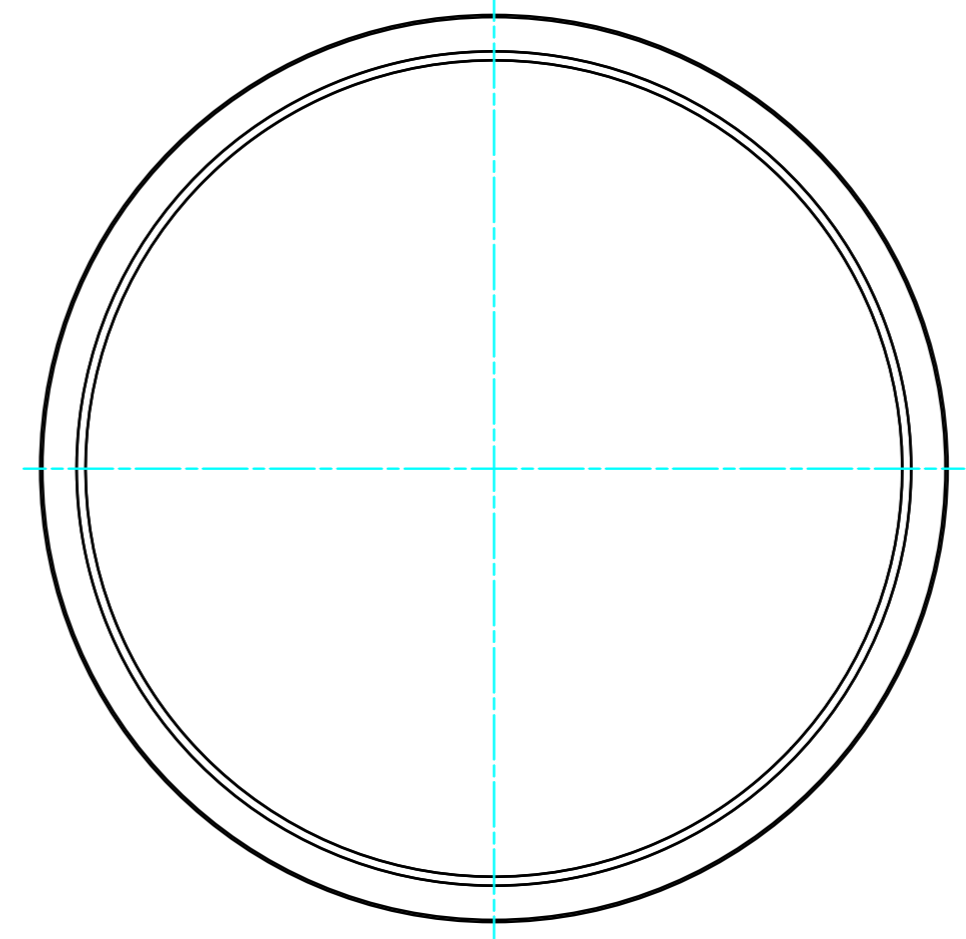
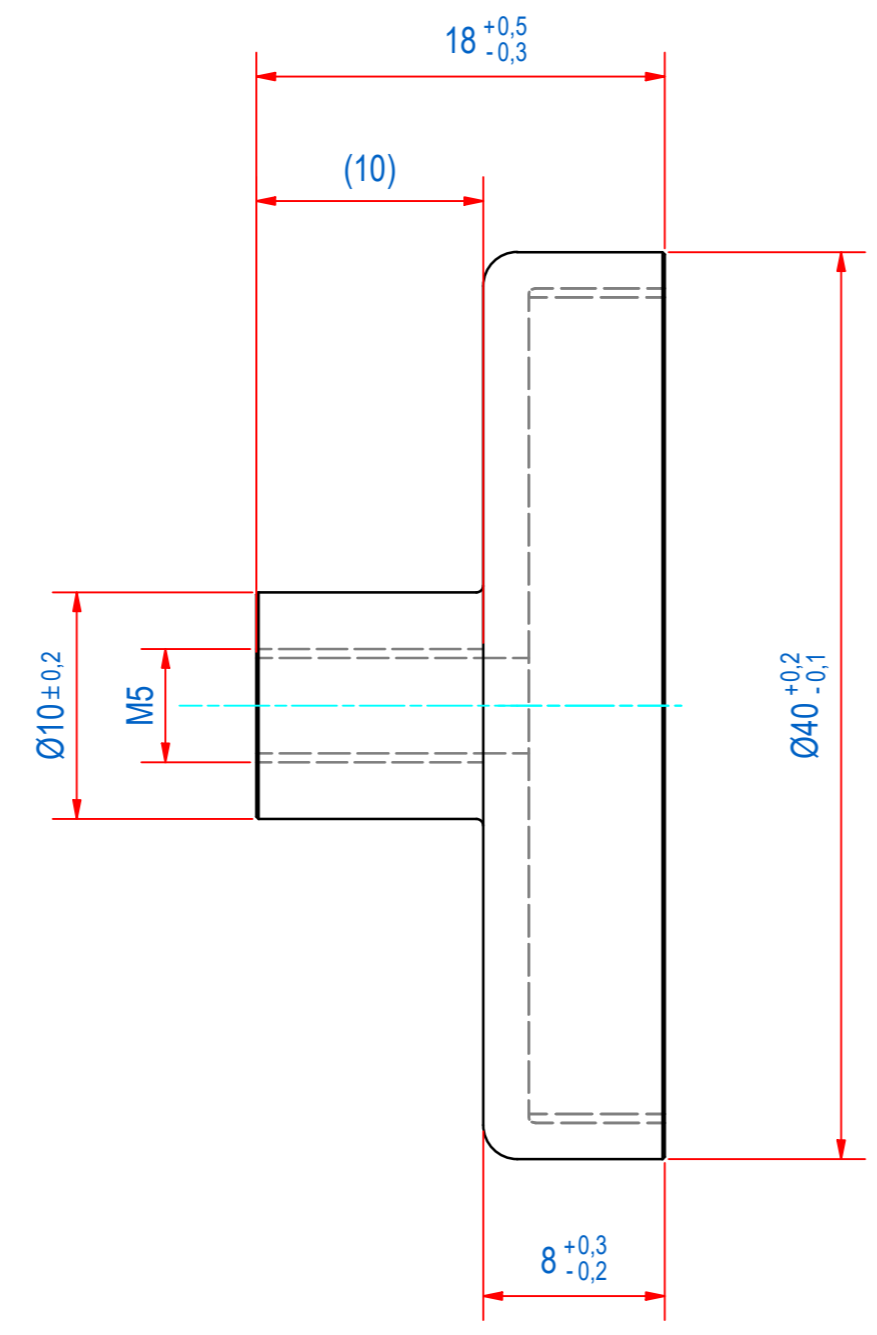
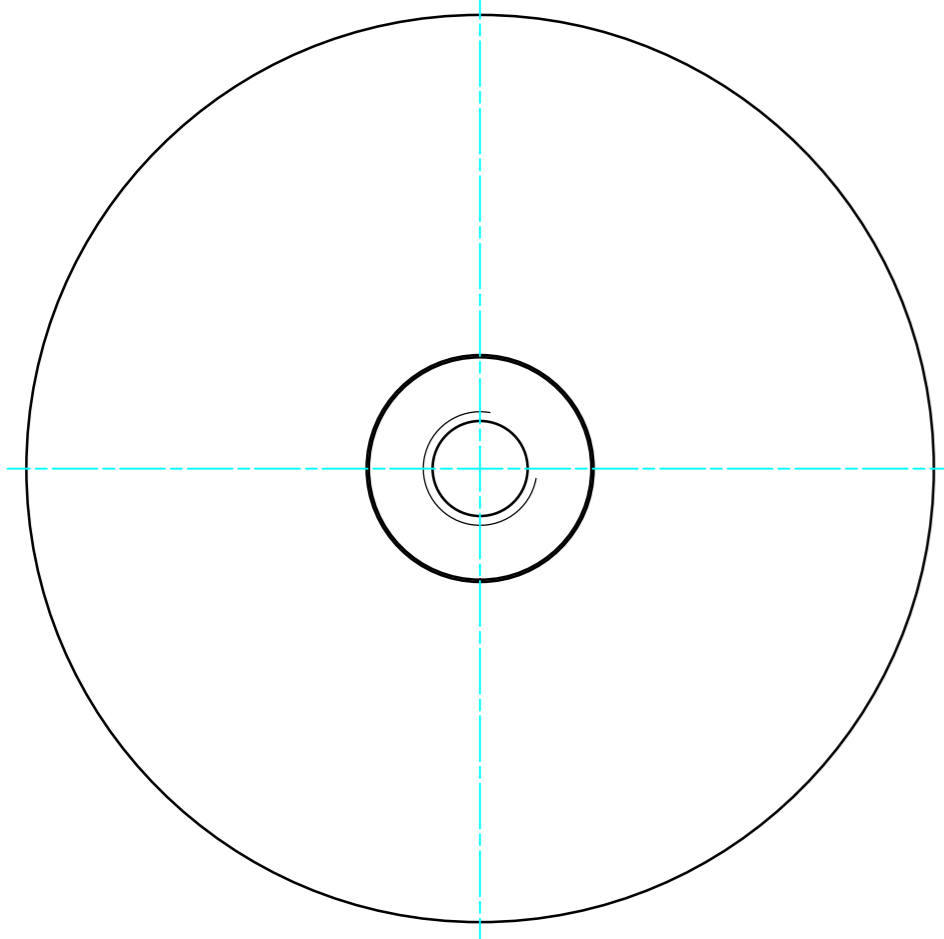
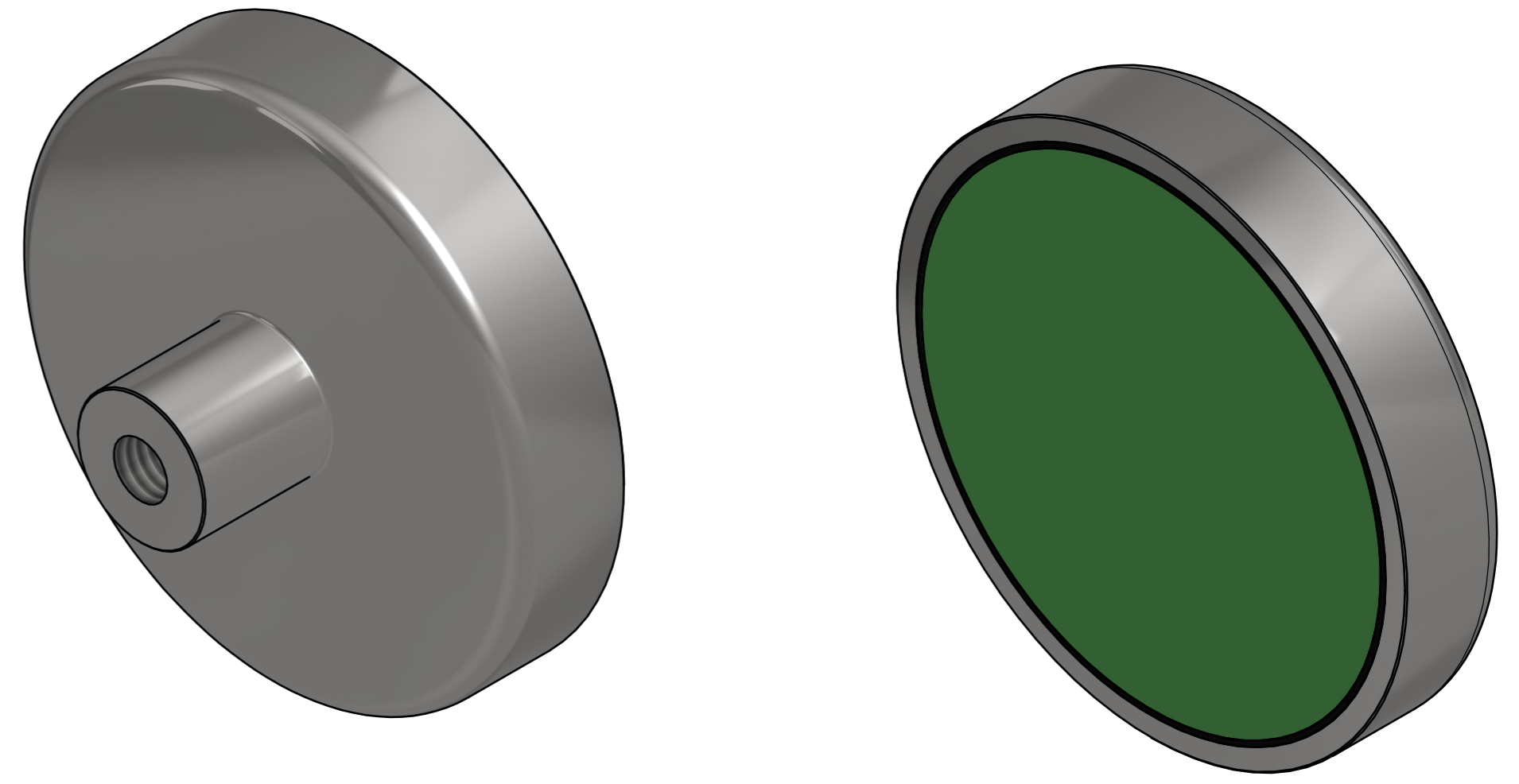


DOC.NR.	REV	DATE	BY	DESCRIPTION
GM16507	-	25-9-2019	PV	ORIGINAL DRAWING



SURFACE TREATMENT: ZINC PLATED

RAW MAT.	1	Quantity	Material Number	Material Description	Length (mm)	Width (mm)
Symbol	Sheet: A2	Extra info: POTMAGNET FERRITE	General tolerance: ISO 2768- mK			
Drawn: PV	Weight (kg): 0,081	Drawn according: ISO268; ISO1101; ISO2553				
Date: 23-9-2019	Status: Standard		Customer reference number:			
Spare part: False	Source:			Document number: GM16507	Doc.Rev: -	
Quick search: POTGM	<small>© All rights reserved. Reproduction is not permitted without written permission of GOUDSMIT Magnetic Systems BV</small>		Part number: GM16507	Rev: -		
Description:	PM-TB-F-SG-D40x8x18xM5					