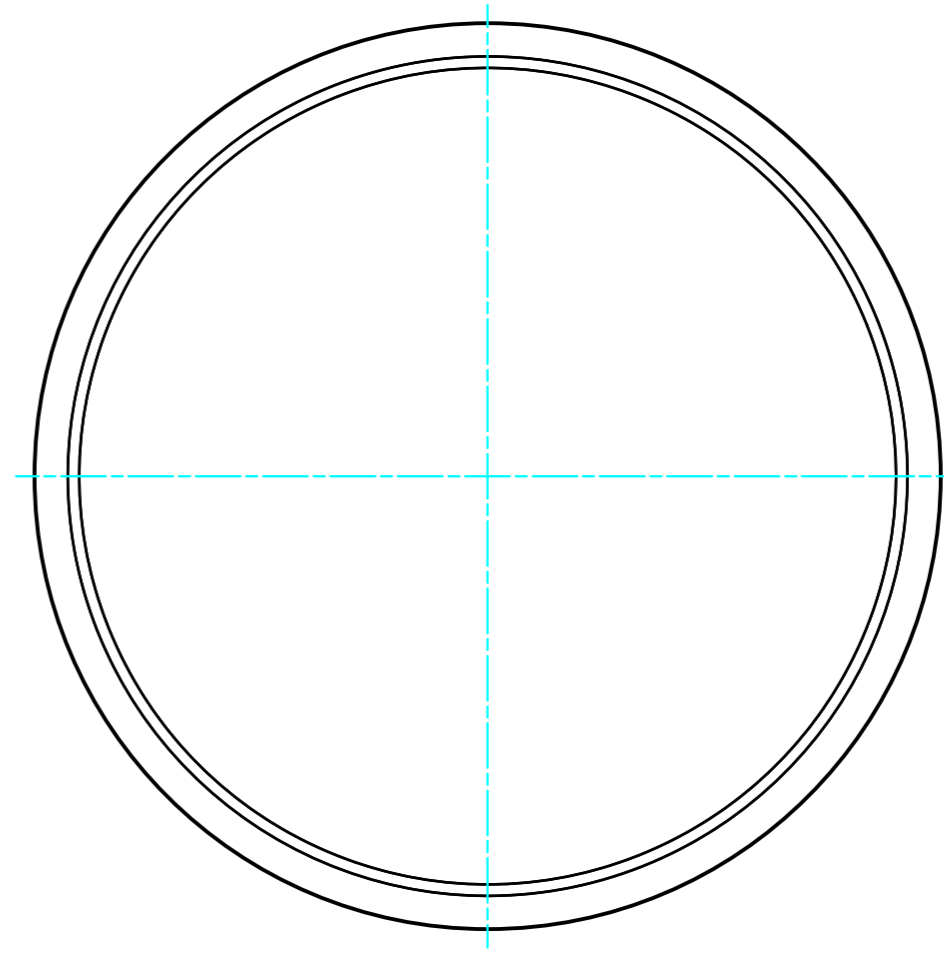
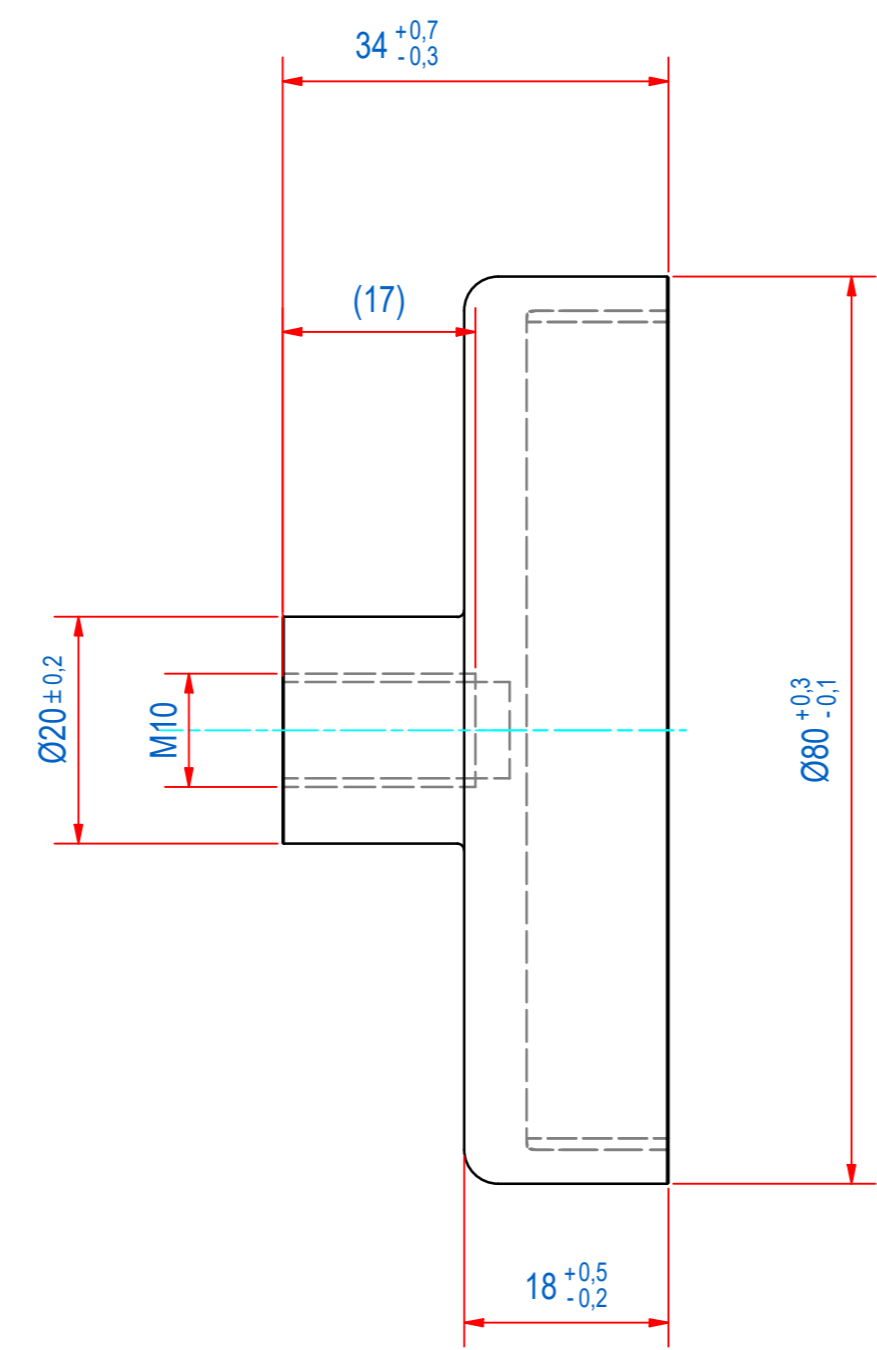
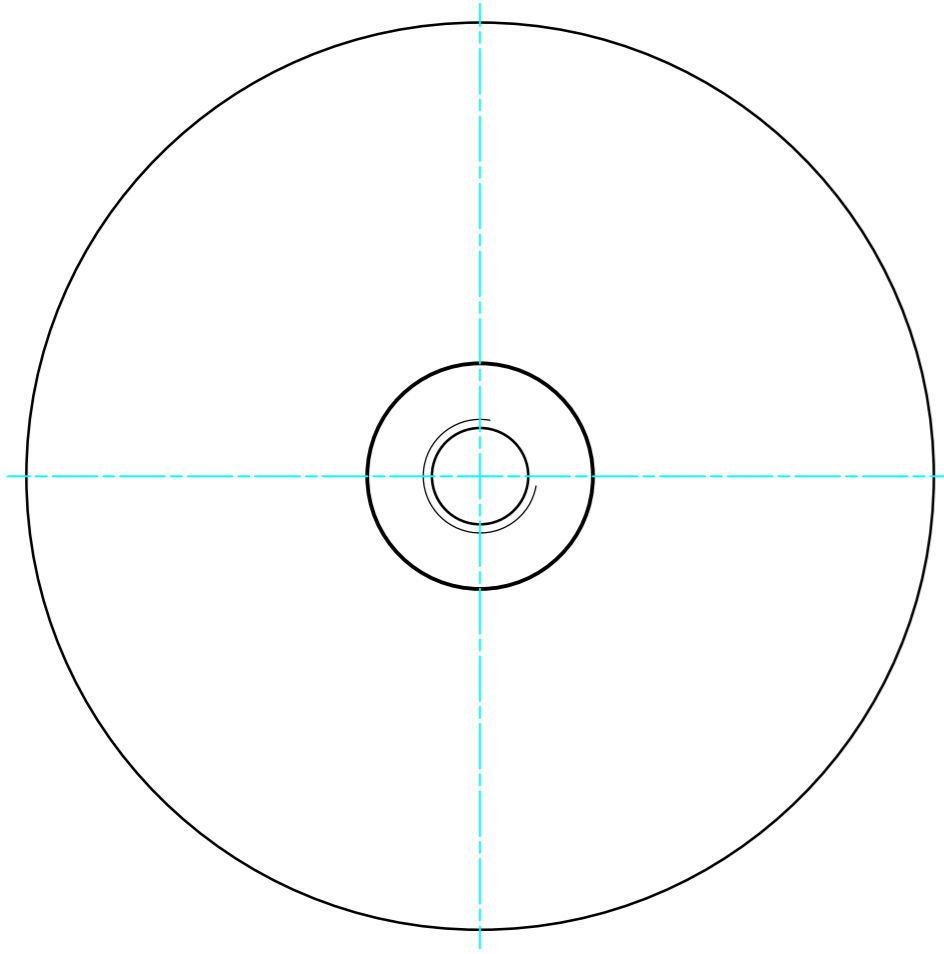
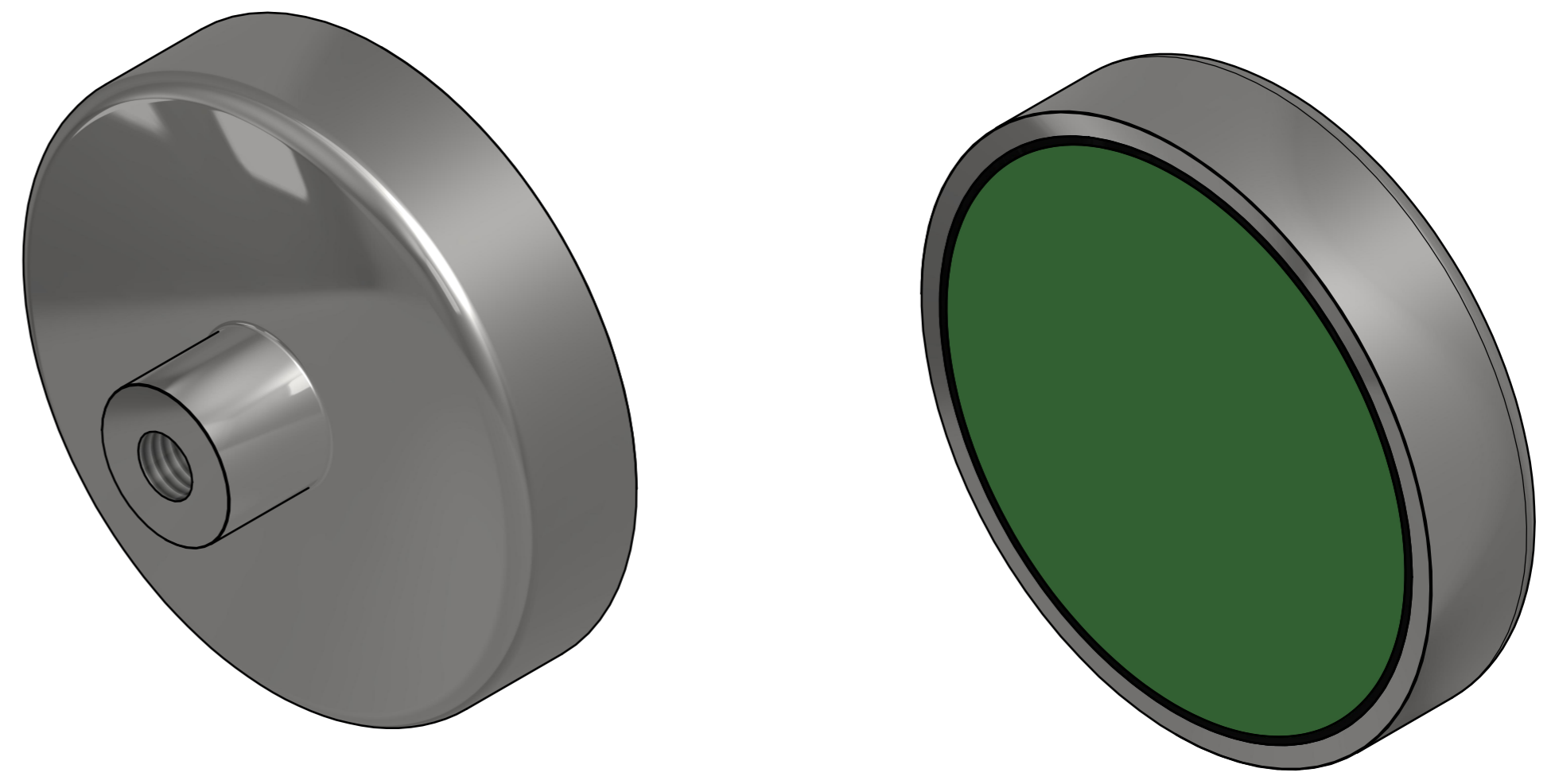


DOC.NR.	REV	DATE	BY	DESCRIPTION
GM16510	-	25-9-2019	PV	ORIGINAL DRAWING
GM16510	A	19-8-2020	TM	TOLERANCES CORRECTED



SURFACE TREATMENT: ZINC PLATED

RAW MAT.	1								
Quantity		Material Number		Material Description		Length (mm)		Width (mm)	
Sheet:	A2	Extra info:	POTMAGNET FERRITE		General tolerance:		ISO 2768- mK		
Drawn:	PV	Weight (kg):	0,72		Drawn according:		ISO268; ISO1101; ISO2553		
Date:	24-9-2019	Source:			Status:		Standard		
Spare part:	False	Quick search:			POTGM	Customer reference number:			
Description:				PM-TB-F-SG-D80x18x34xM10	Document number:		GM16510	Doc.Rev:	A
					Part number:		GM16510	Rev:	-