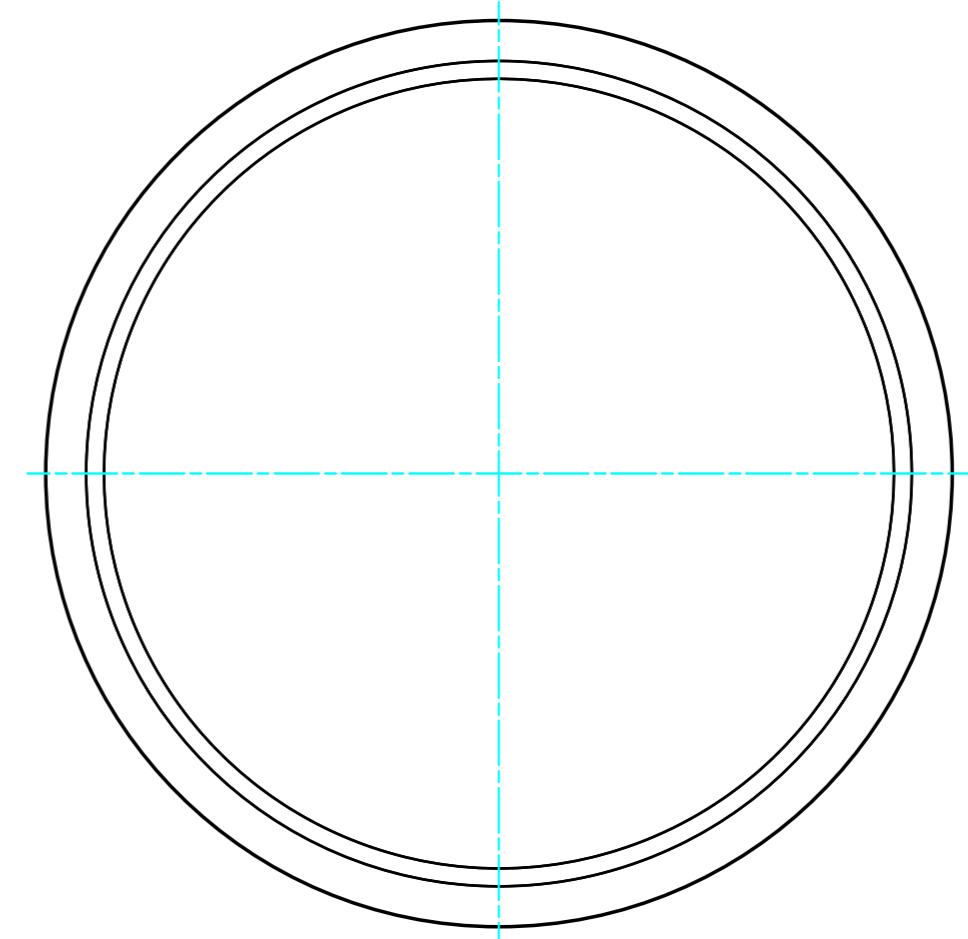
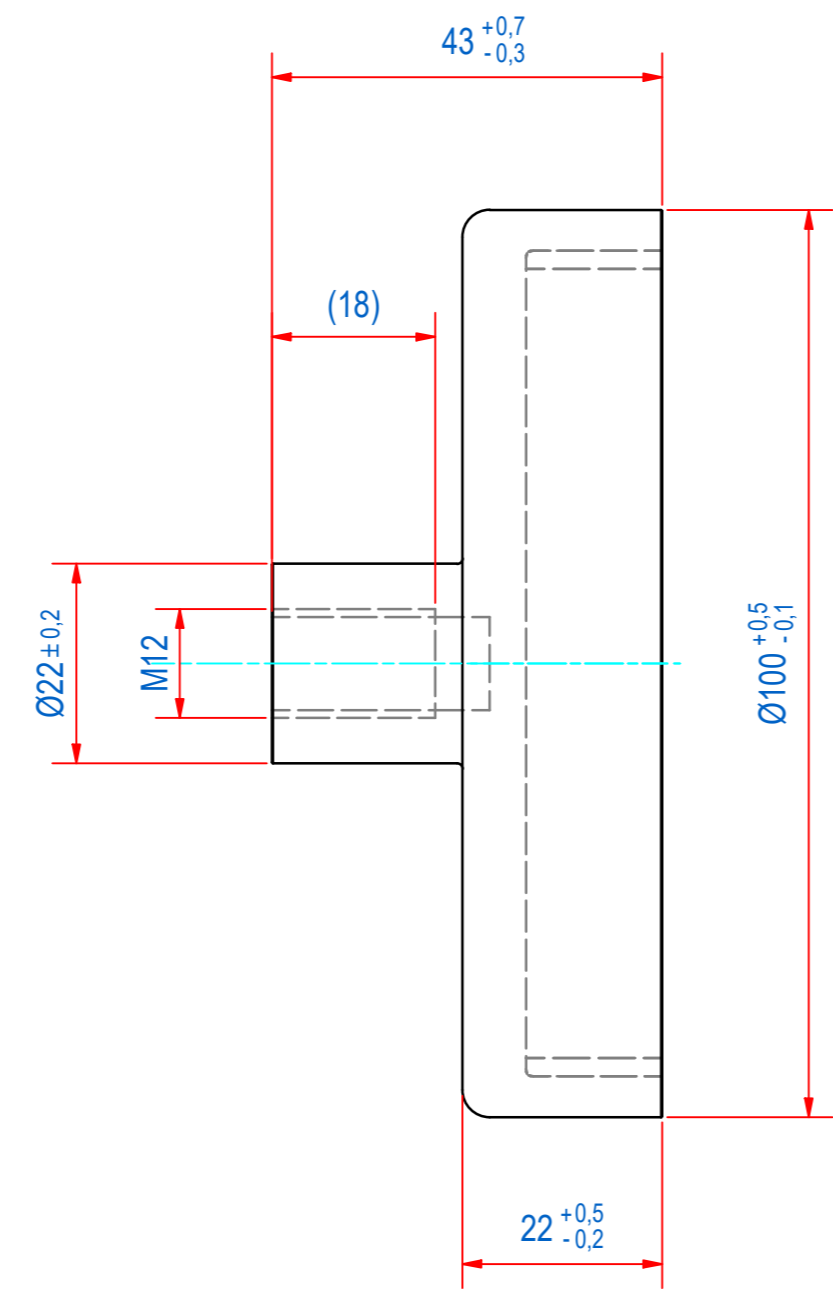
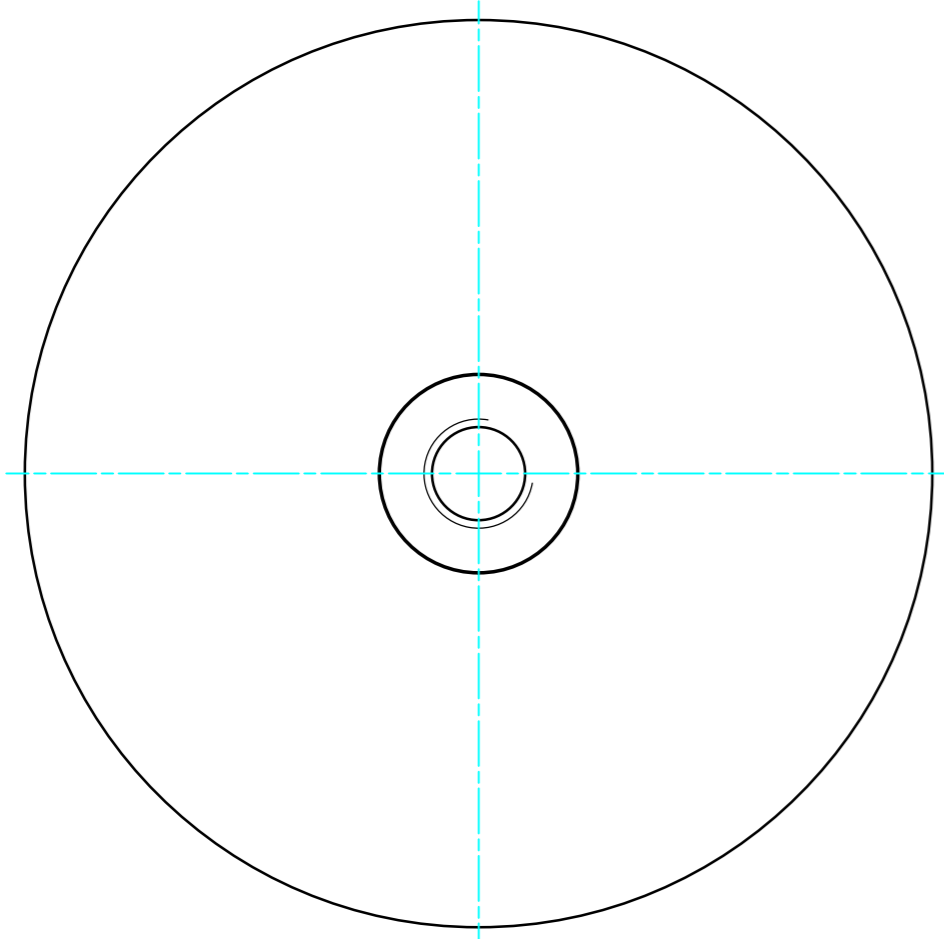
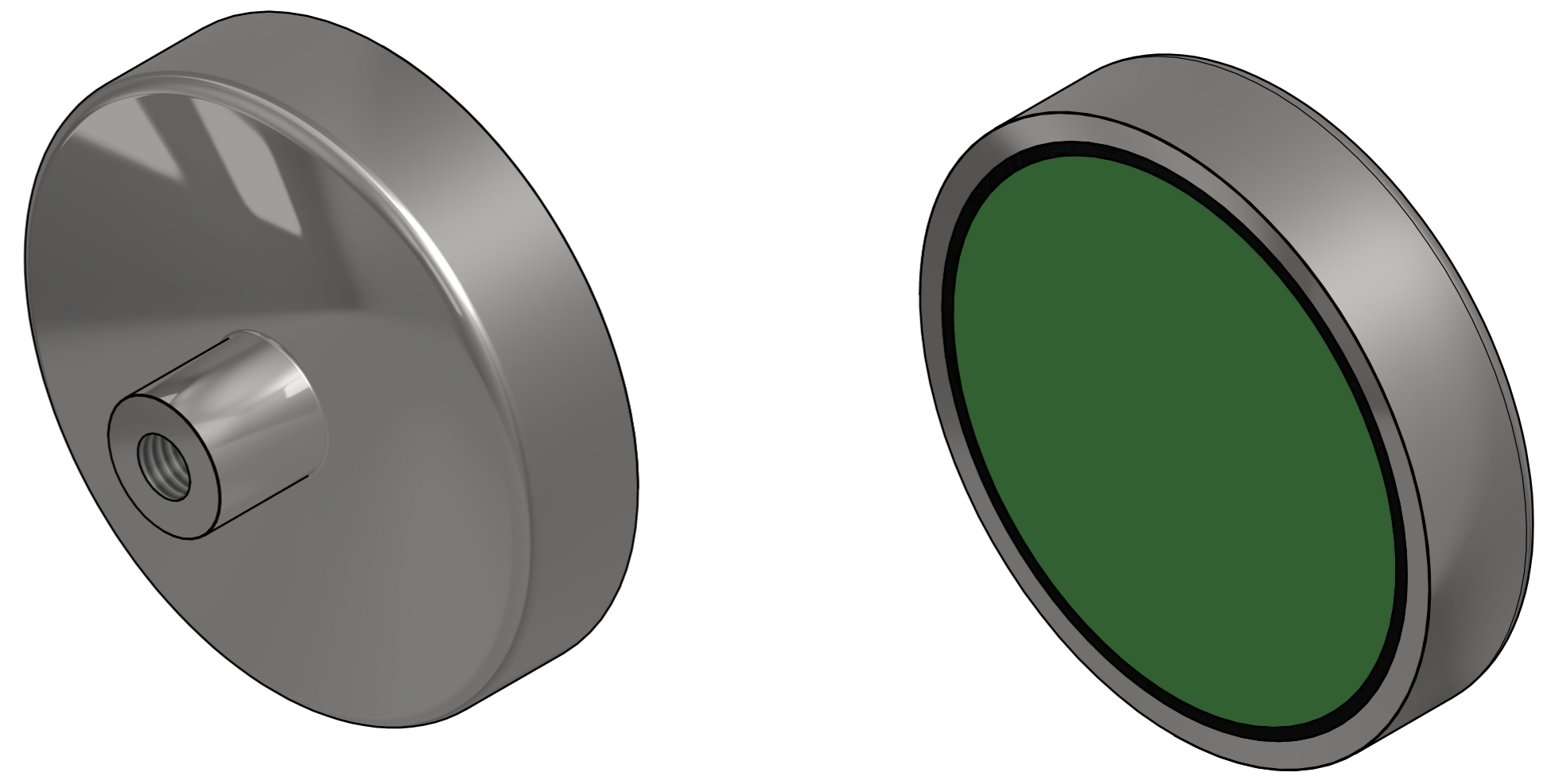


DOC.NR.	REV	DATE	BY	DESCRIPTION
GM16511	-	25-9-2019	PV	ORIGINAL DRAWING



SURFACE TREATMENT: ZINC PLATED

RAW MAT.	1	Quantity	Material Number	Material Description	Length (mm)	Width (mm)
Sheet:	A2	Extra info:	POTMAGNET FERRITE		General tolerance: ISO 2768- mK	
Drawn:	PV	Weight (kg):	1,3		Drawn according: ISO268; ISO1101; ISO2553	
Date:	24-9-2019	Status:		Standard		
Spare part:	False	Customer reference number:				
Quick search:	POTGM	Document number:		GM16511	Doc.Rev: -	
Description:	PM-TB-F-SG-D100x22x43xM12			Part number:	GM16511	
				Rev:	-	