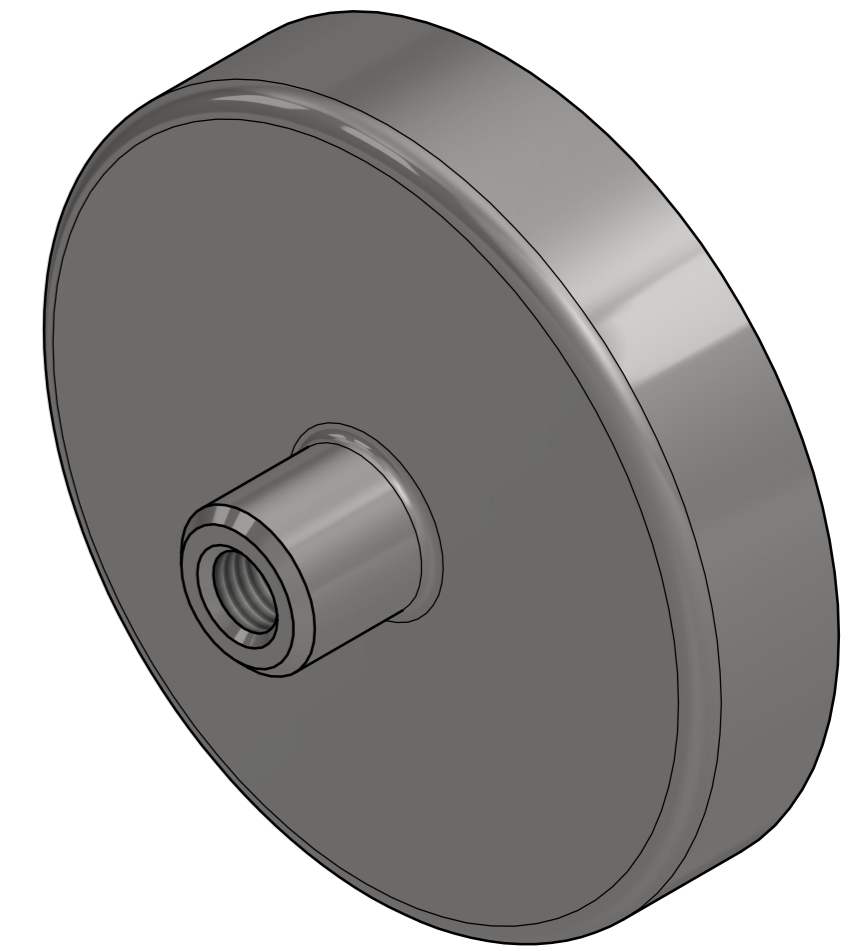
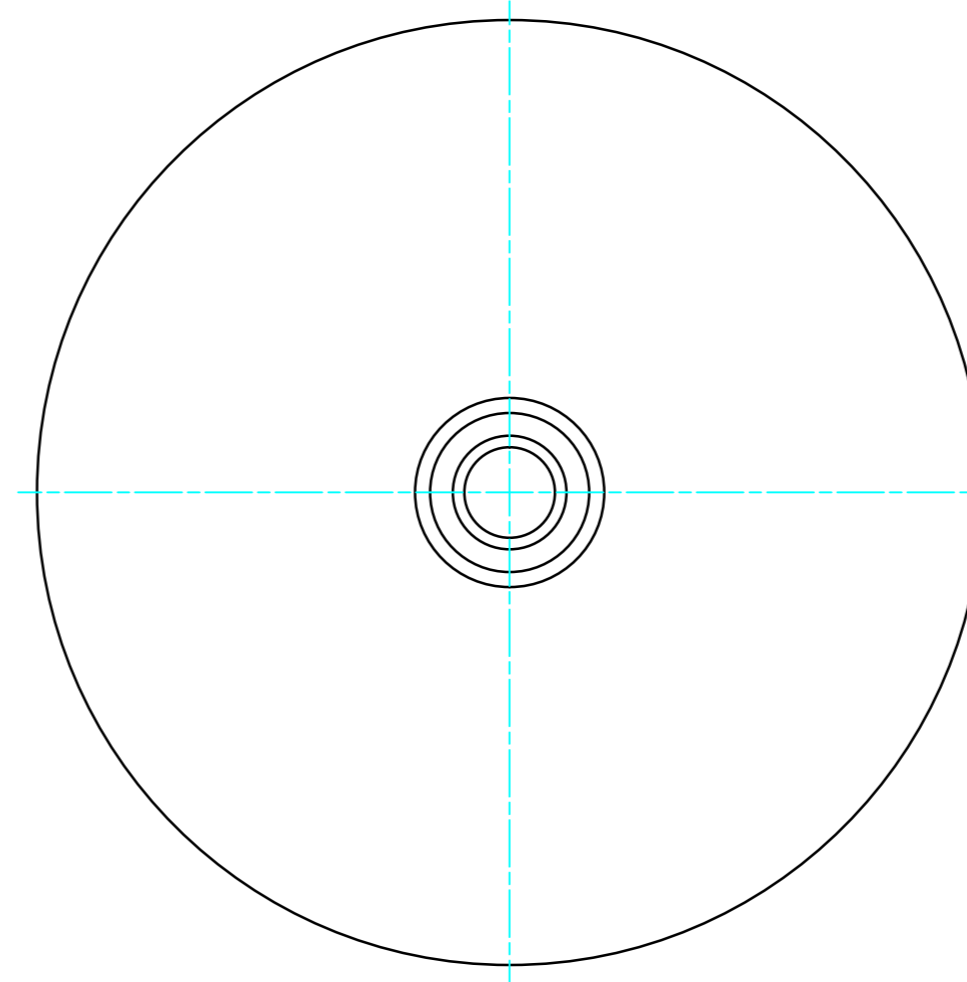
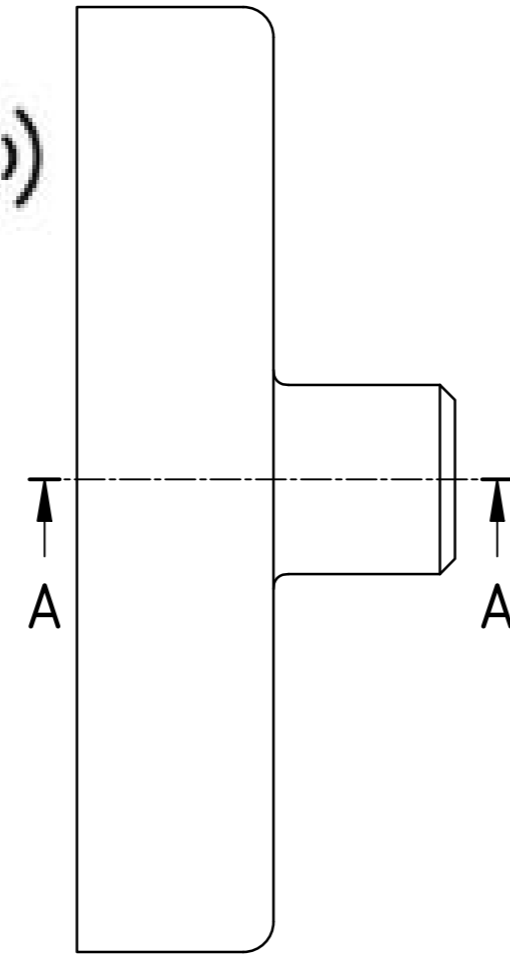
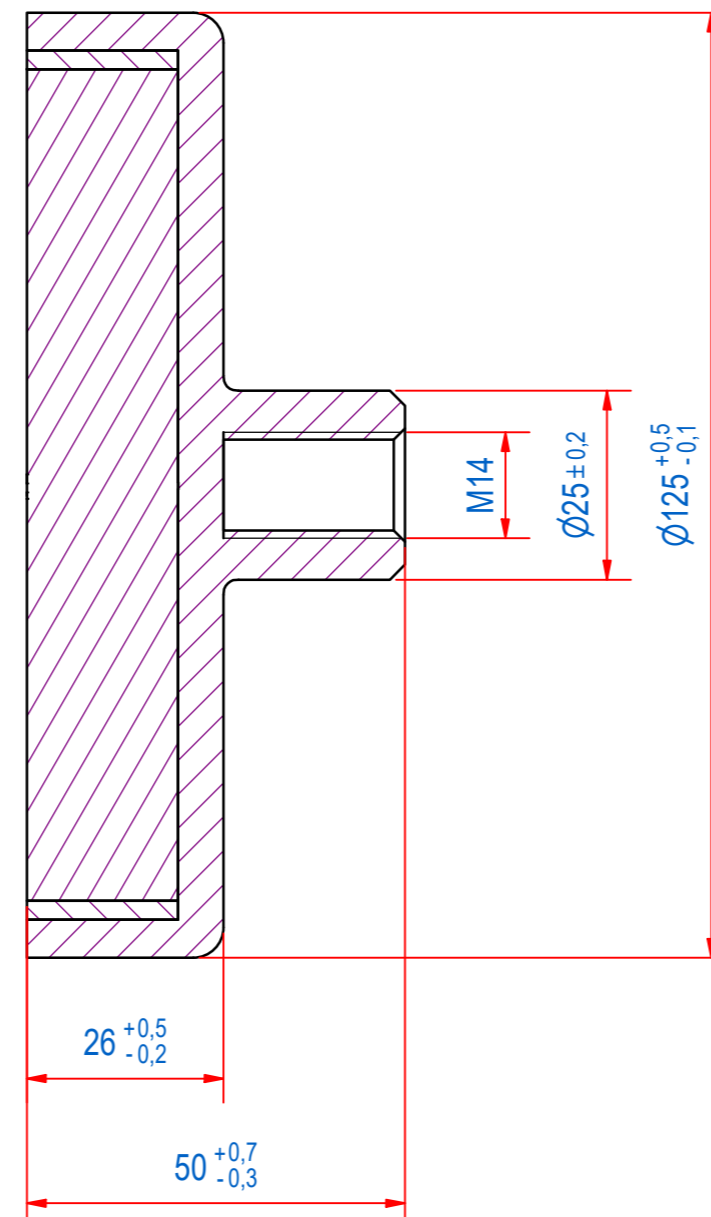


DOC.NR.	REV	DATE	BY	DESCRIPTION
GM16512	-	6-7-2020	TM	ORIGINAL DRAWING

C)



A-A



RAW MAT.	Quantity	Material Number	Material Description	Length (mm)	Width (mm)
1					
Sheet:	A2	Extra info:	POTMAGNET SrFe	General tolerance:	ISO 2768 - mK
Drawn:	TM	Weight (kg):	1,9	Drawn according:	ISO268; ISO1101; ISO2553
Date:	6-7-2020	Status:	Standard	Customer reference number:	F125A-VM14
Spare part:	False	Source:	GOUDSMIT MAGNETICS	Document number:	GM16512
Quick search:	POTGM	© All rights reserved. Reproduction is not permitted without written permission of GOUDSMIT Magnetic Systems BV		Doc.Rev:	-
Description:	PM-TB-F-SG-D125x25x50xM14			Part number:	GM16512
				Rev:	-