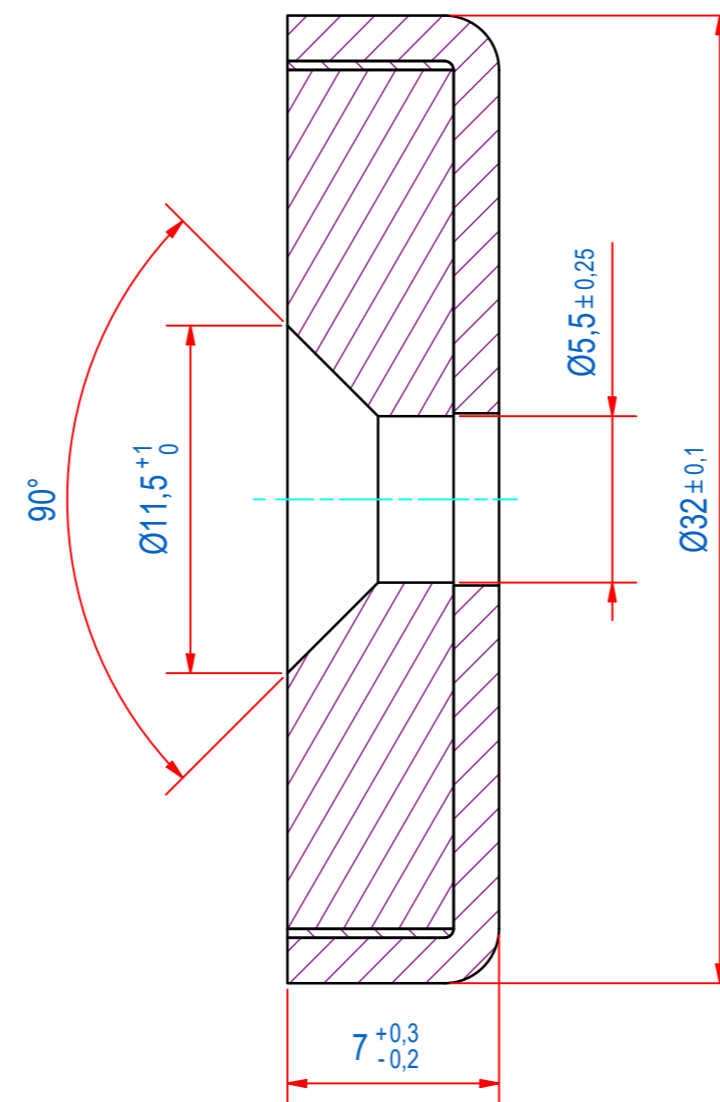
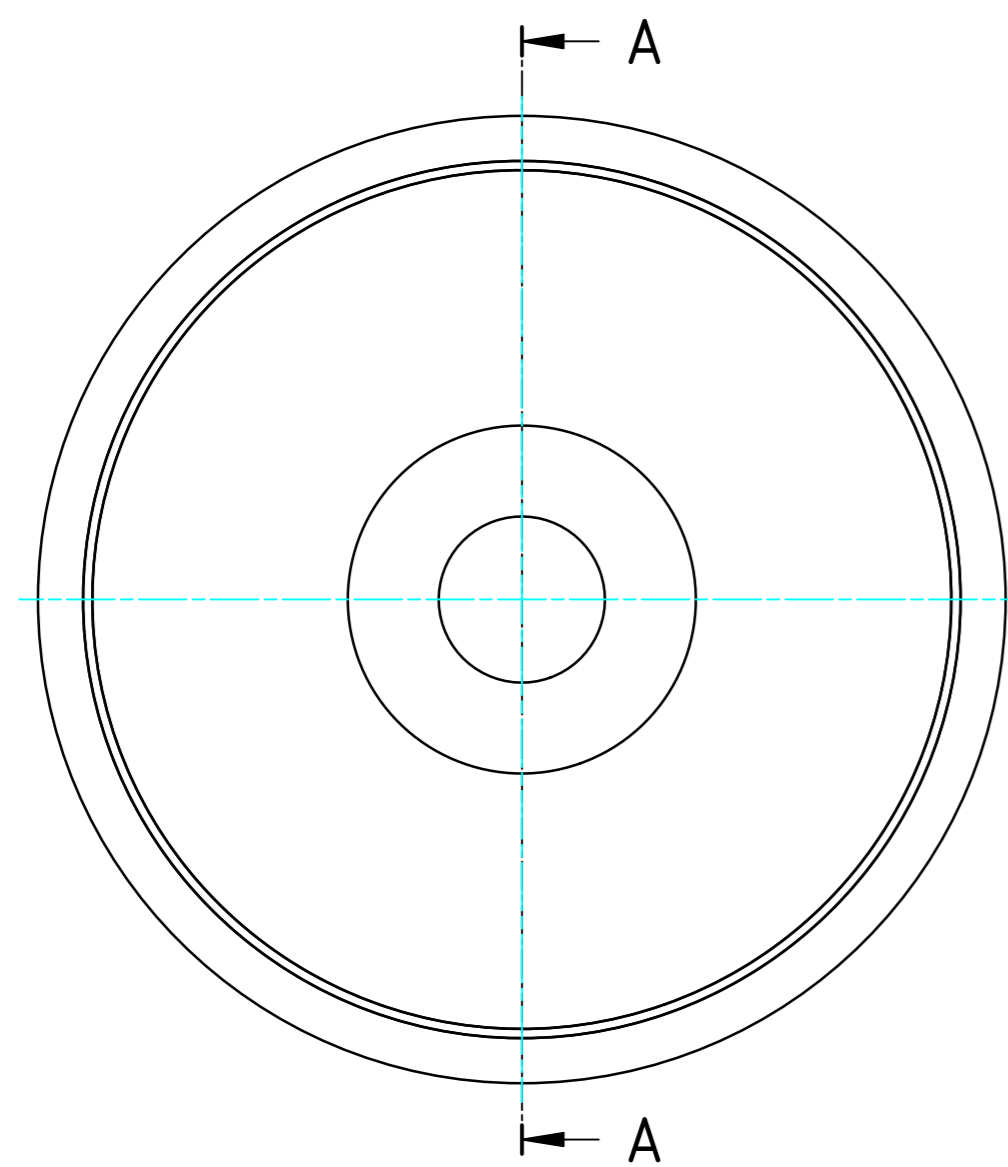
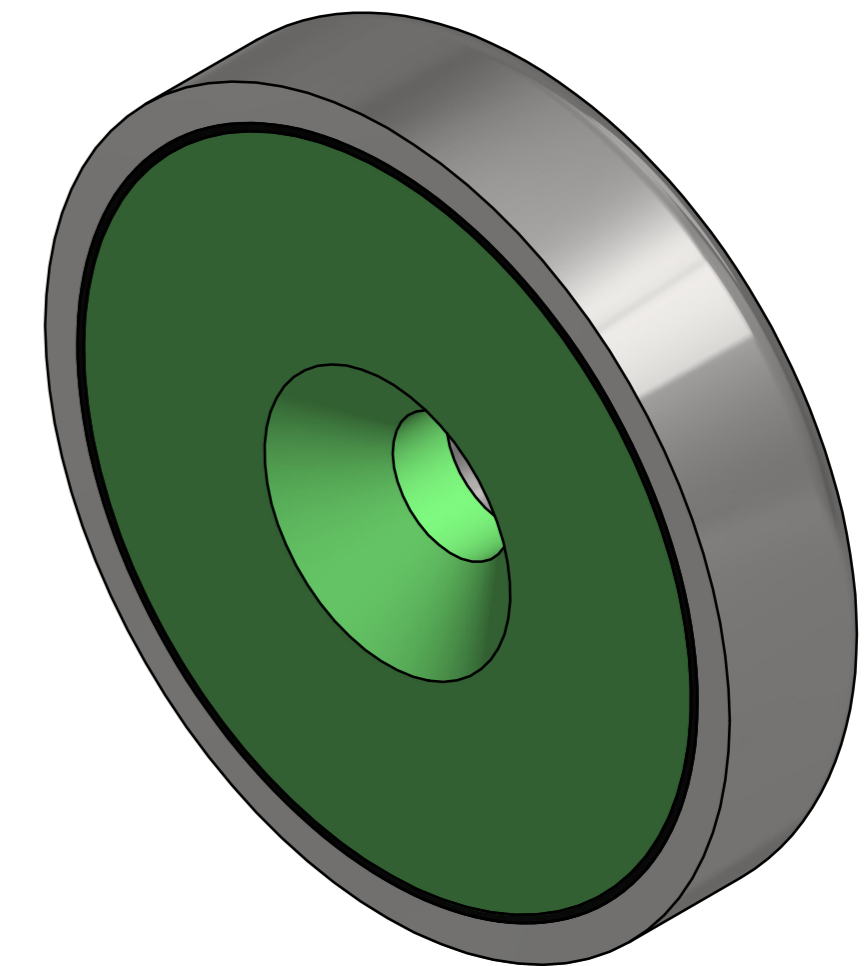
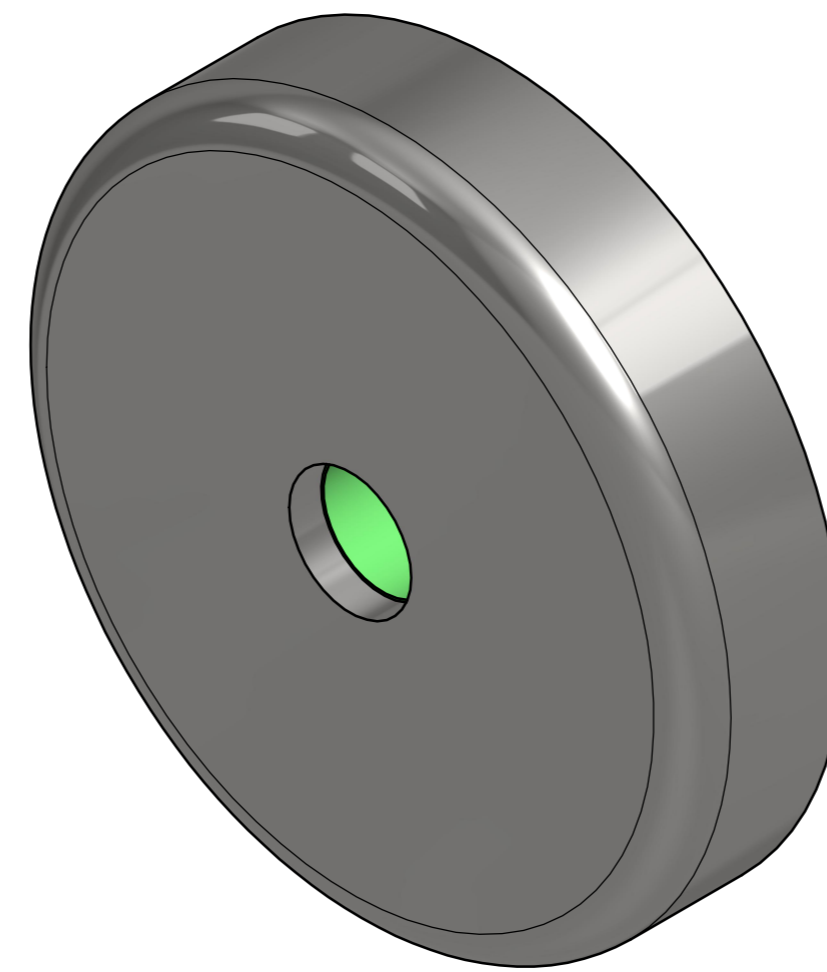


DOC.NR.	REV	DATE	BY	DESCRIPTION
E0120362	-	25-9-2019	PV	ORIGINAL DRAWING



SURFACE TREATMENT: ZINC PLATED

RAW MAT.	Quantity	Material Number	Material Description	Length (mm)	Width (mm)
1					
Sheet:	A2		Extra info: POTMAGNET FERRITE	General tolerance: ISO 2768- mK	
Drawn:	PV		Weight (kg): 0,040	Drawn according: ISO268; ISO1101; ISO2553	
Date:	7-8-2019			Status: Standard	
Spare part:	False			Customer reference number:	
Quick search:	POTGM		© All rights reserved. Reproduction is not permitted without written permission of GOUDSMIT Magnetic Systems BV	Document number: E0120362	Doc.Rev: -
Description:	PM-HS-F-SG-D32x7xd5.5/11.5			Part number: GM16602	Rev: -