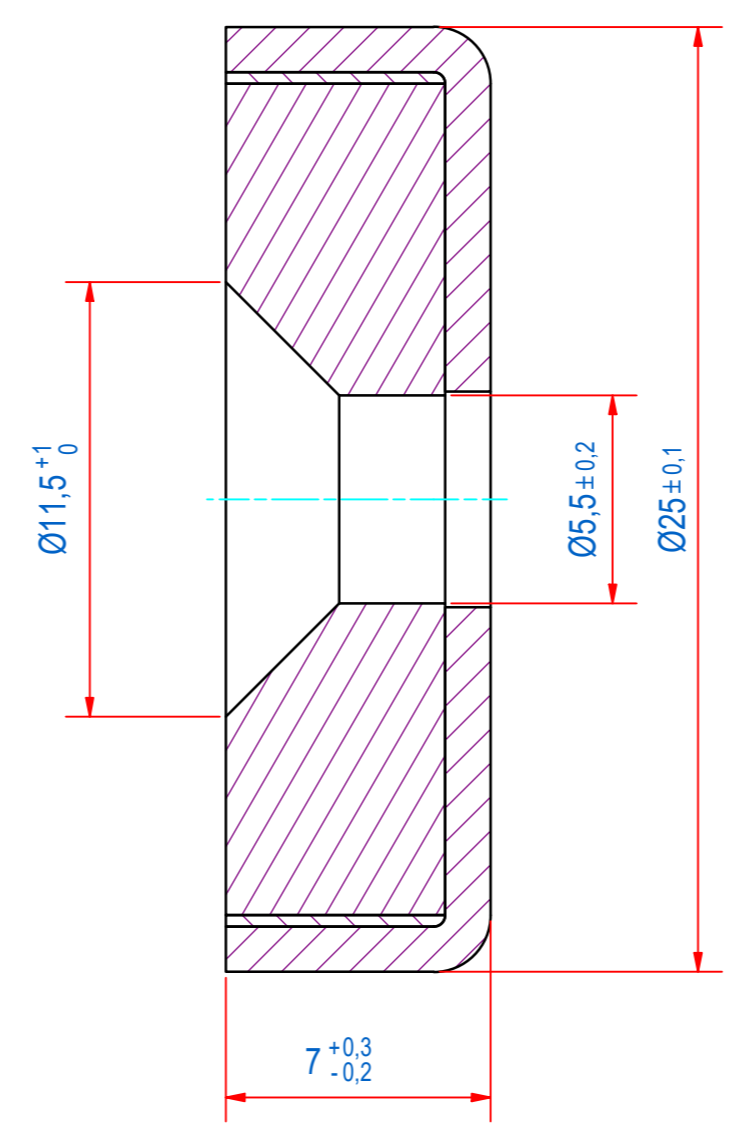
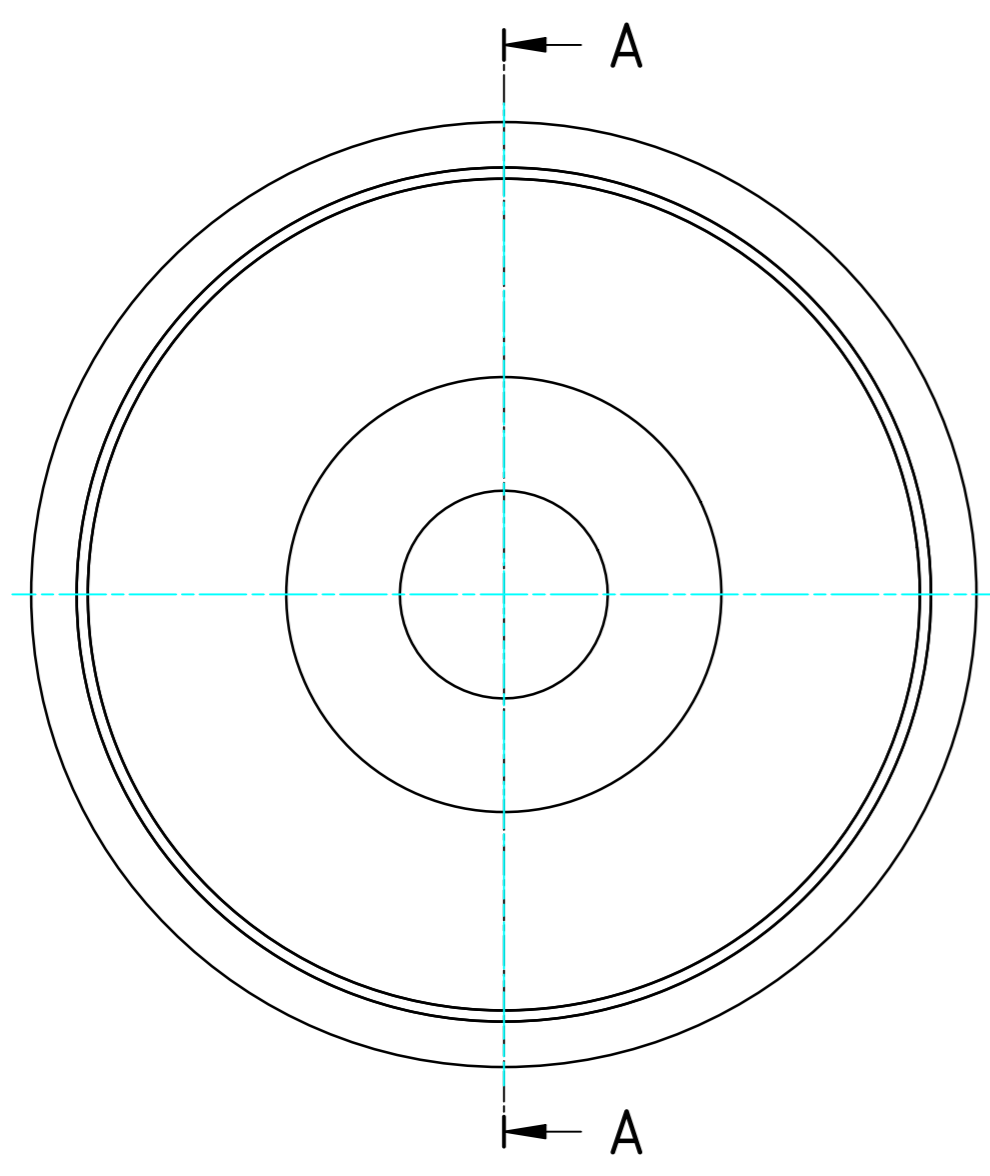
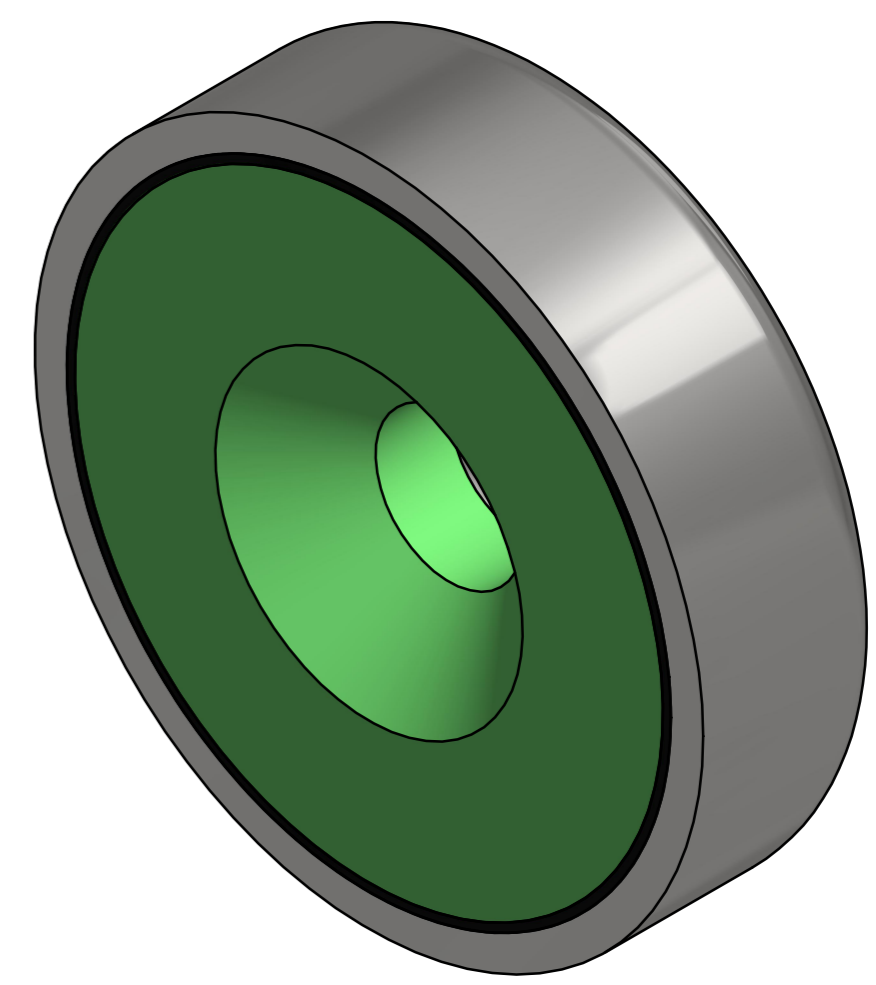
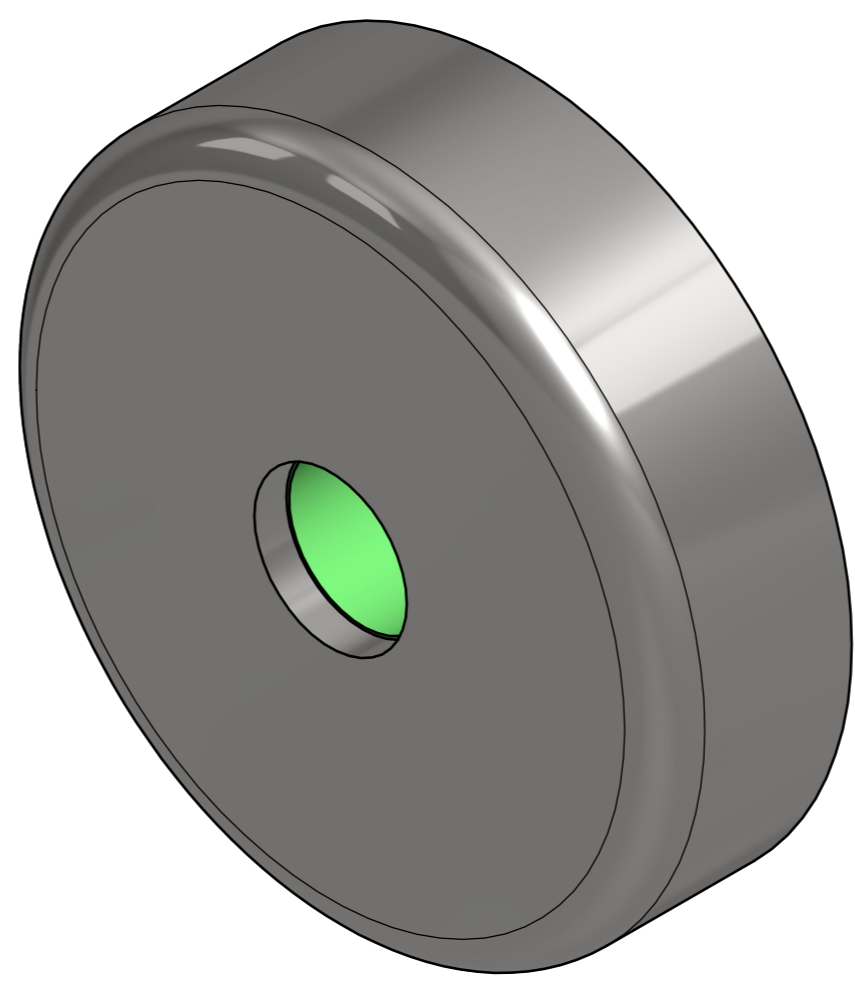


DOC.NR.	REV	DATE	BY	DESCRIPTION
E0120426	-	25-9-2019	PV	ORIGINAL DRAWING



SURFACE TREATMENT: ZINC PLATED

RAW MAT.	1	Quantity	Material Number	Material Description	Length (mm)	Width (mm)
Drawn:	PV	Weight (kg):	0,024	Extra info:	General tolerance: ISO 2768- mK	
Date:	7-8-2019	Source:	POTGM	POTMAGNET FERRITE	Drawn according: ISO268; ISO1101; ISO2553	
Spare part:	False	Quick search:	POTGM	<p>© All rights reserved. Reproduction is not permitted without written permission of GOUDSMIT Magnetic Systems BV</p>	Status: Standard	
Description:	PM-HS-F-SG-D25x7xd5.5/11.5				Customer reference number:	Document number: E0120426
				Part number:	GM16607	Rev: -