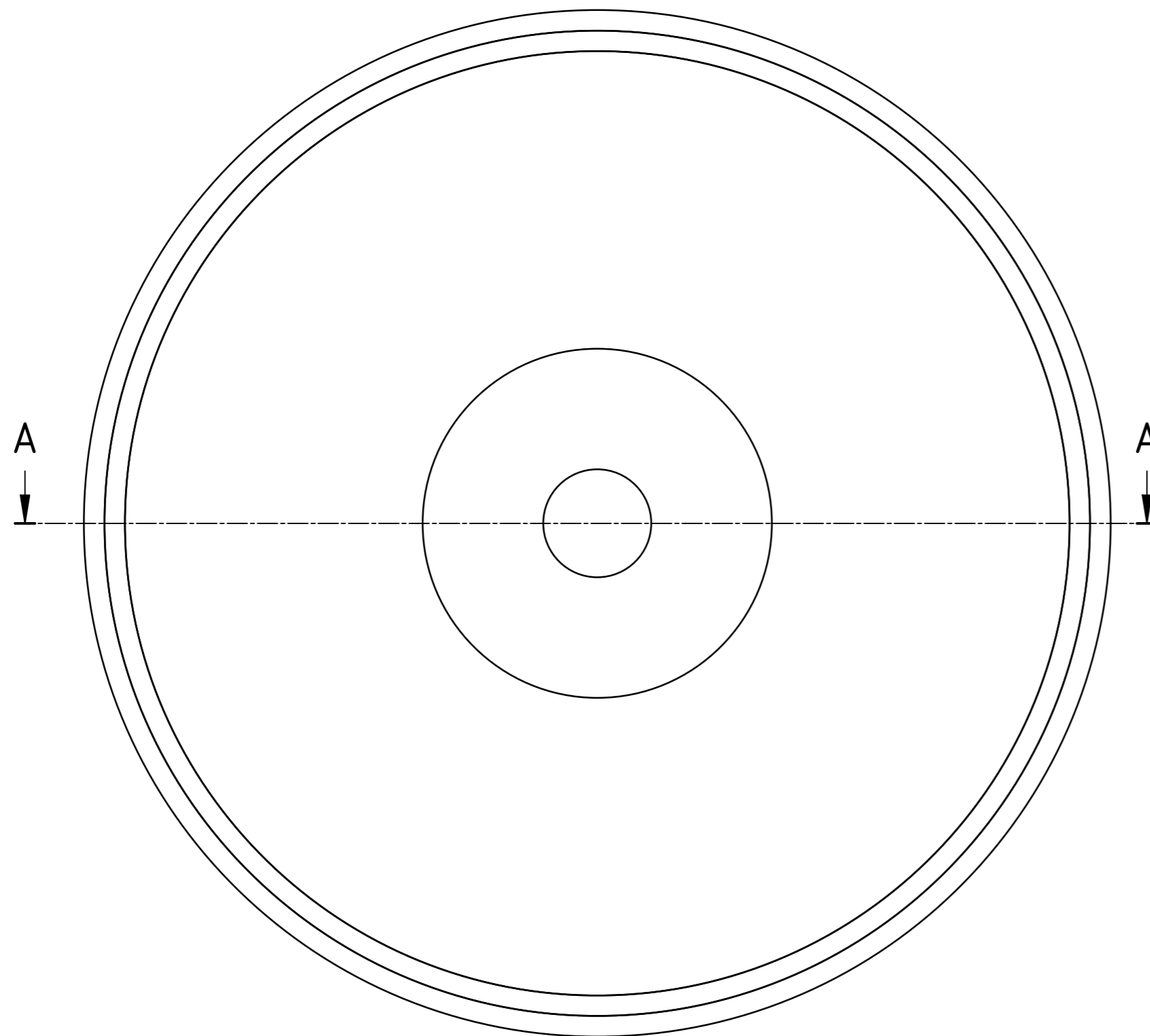
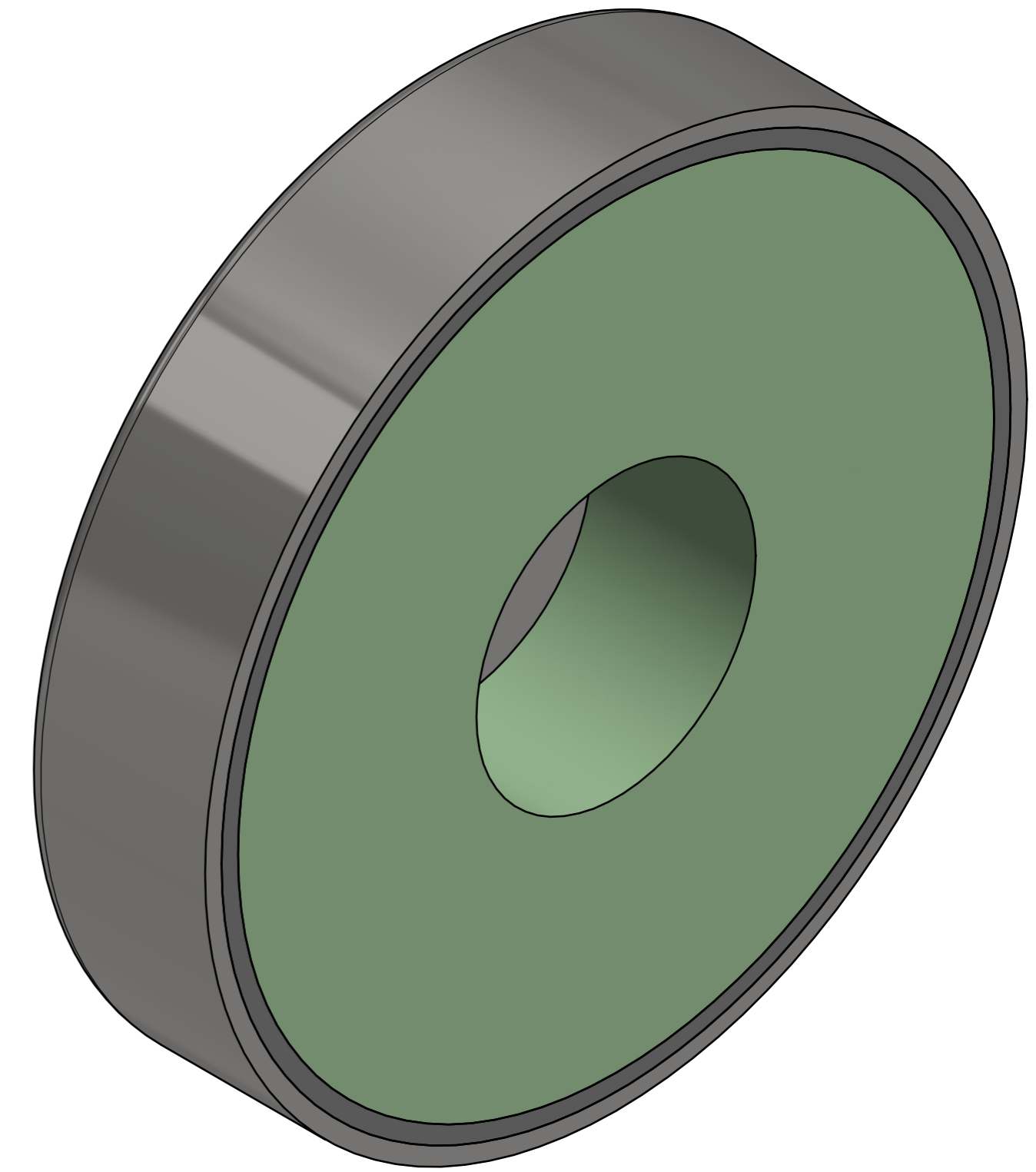
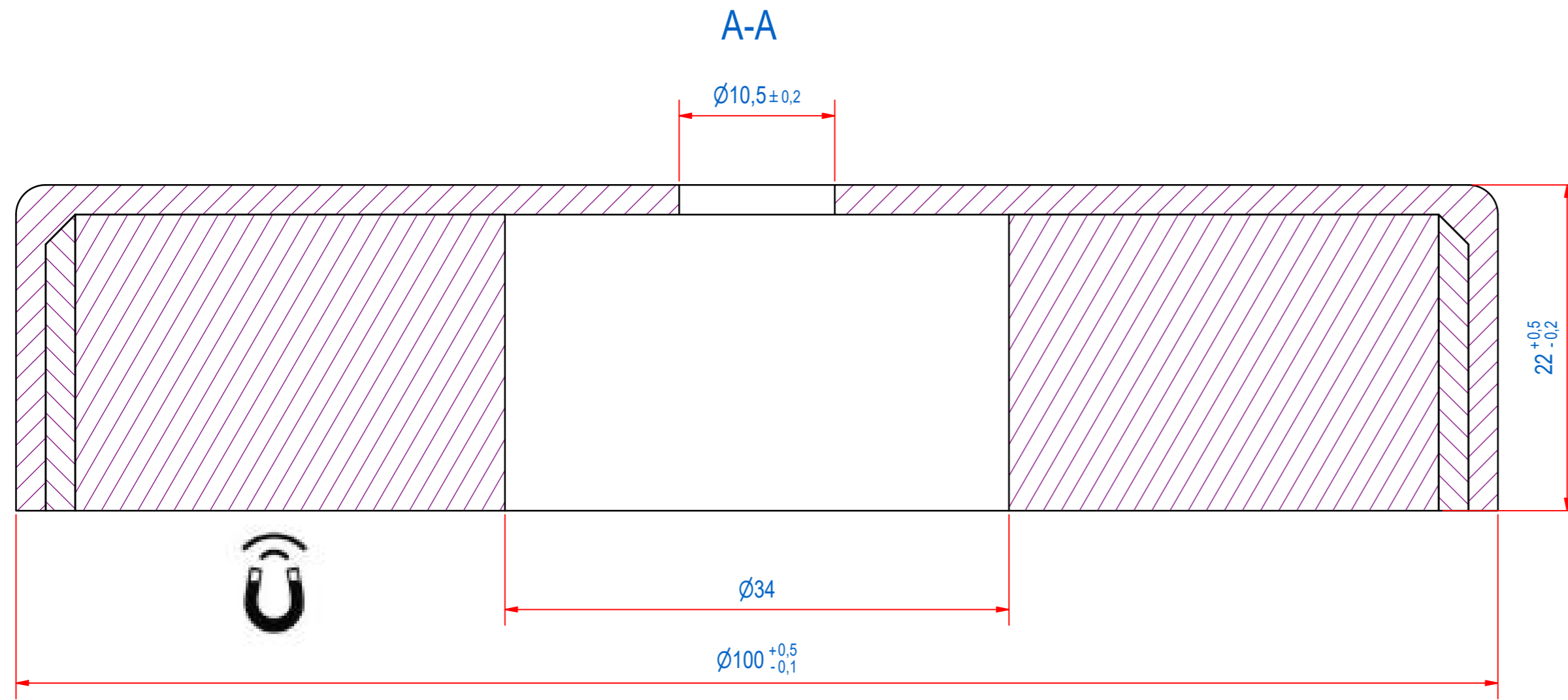


DOC.NR.	REV	DATE	BY	DESCRIPTION
GM16609	-	7-7-2020	TM	ORIGINAL DRAWING



RAW MAT.	1	Quantity	Material Number	Material Description	Length (mm)	Width (mm)
Symbol	Sheet: A2	Weight (kg): 0,80	Extra info: POTMAGNET SrFe	General tolerance: ISO 2768- mK		
Drawn: TM	Date: 7-7-2020	GOUDSMIT MAGNETICS		Drawn according: ISO268; ISO1101; ISO2553		
Spare part: False	Source:	© All rights reserved. Reproduction is not permitted without written permission of GOUDSMIT Magnetic Systems BV		Status: Standard		
Quick search: POTGM	Description: PM-HB-F-SG-D100x22xd10.5/34	Document number: GM16609		Customer reference number: F100C-v	Doc.Rev: -	
				Part number: GM16609	Rev: -	