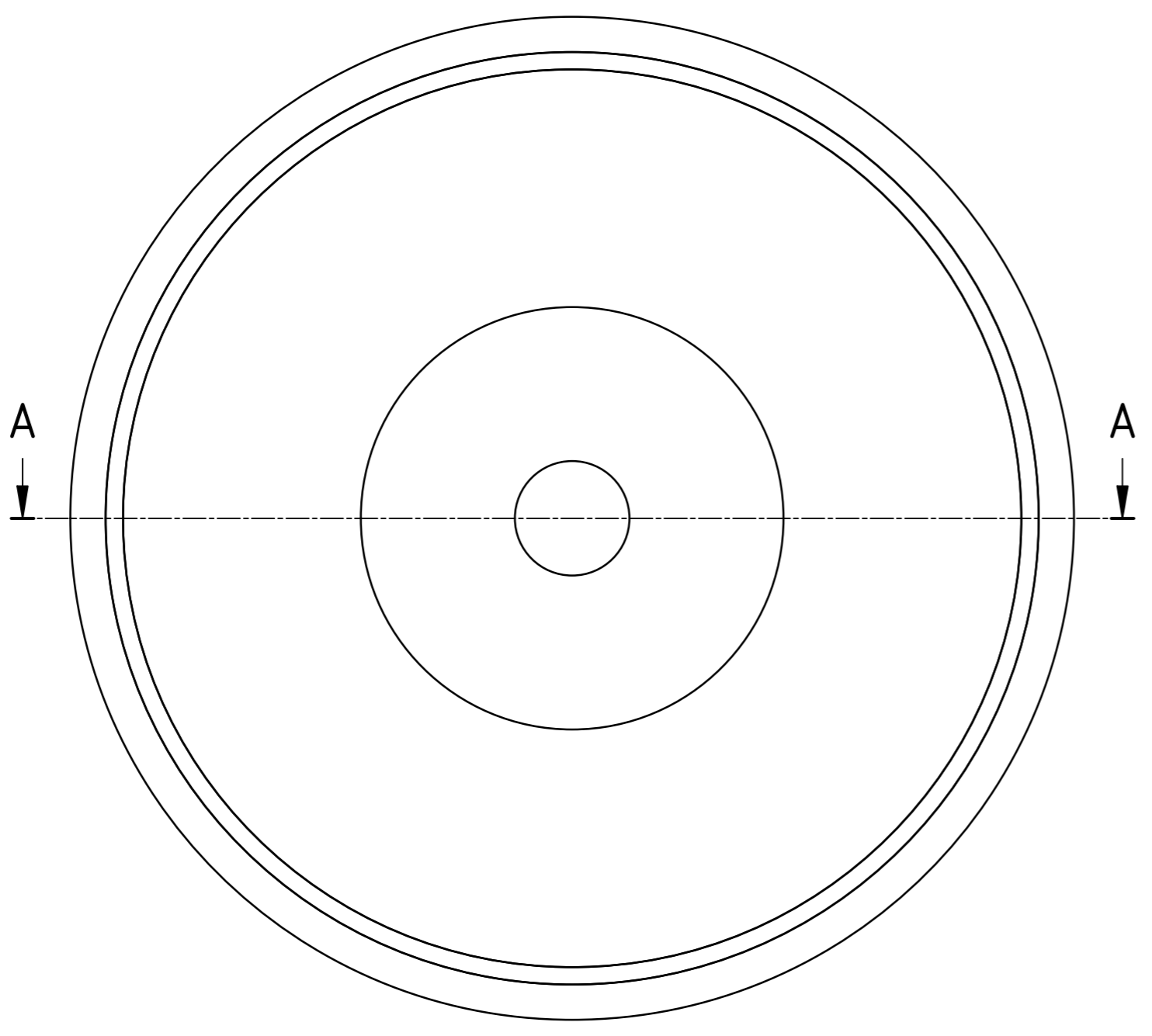
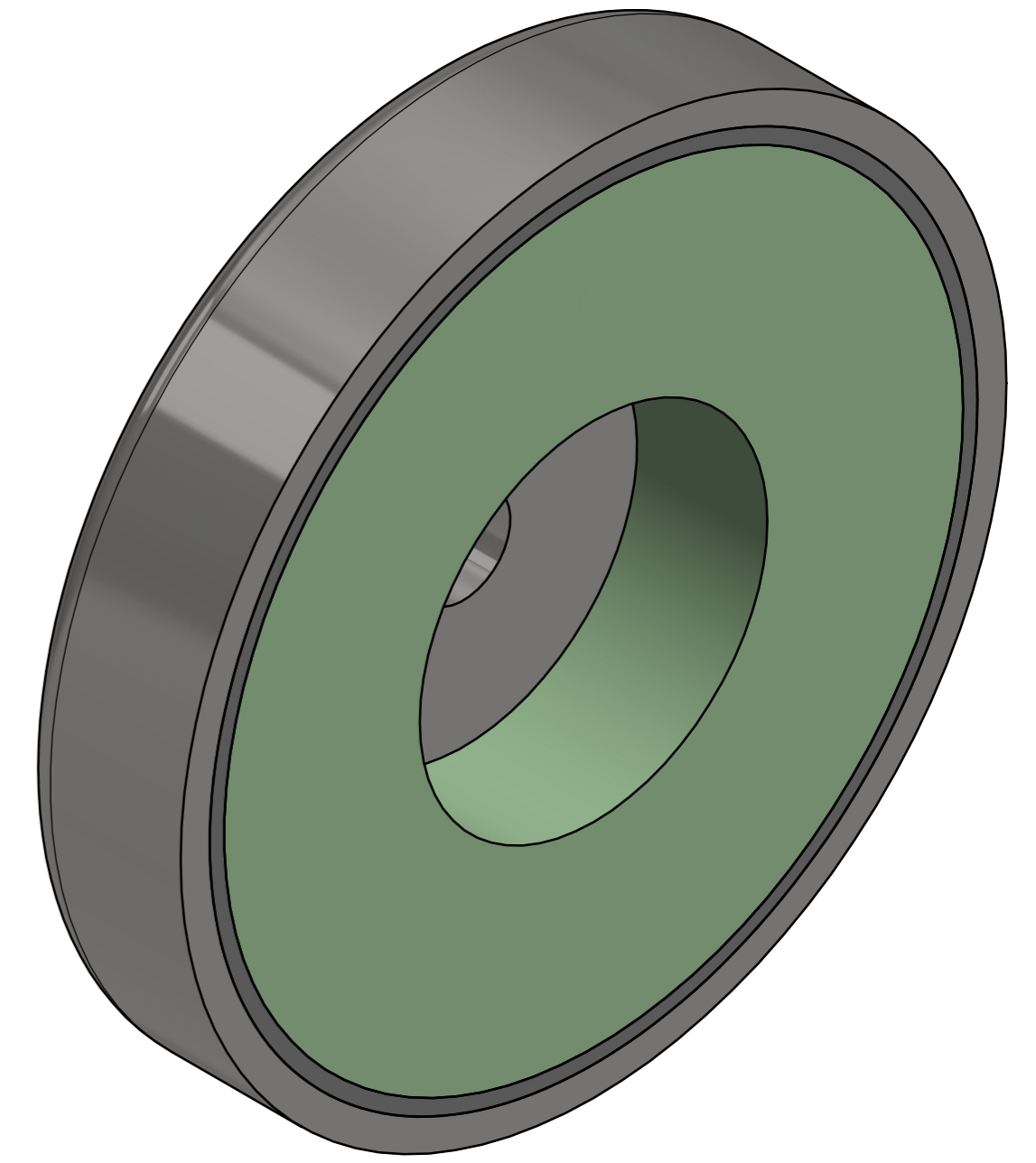
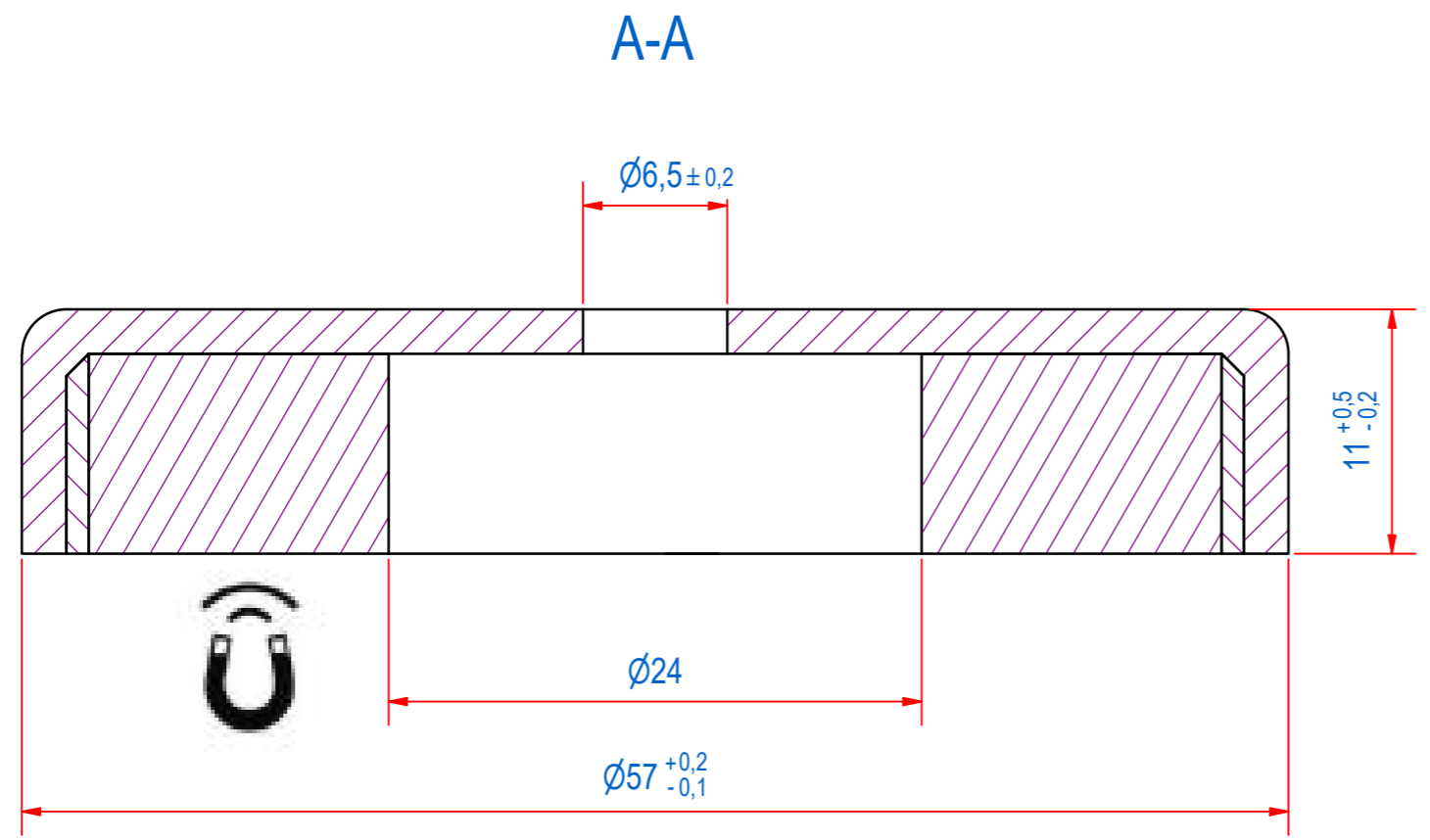


DOC.NR.	REV	DATE	BY	DESCRIPTION
GM16610	-	7-7-2020	TM	ORIGINAL DRAWING



RAW MAT.	Quantity	Material Number	Material Description	Length (mm)	Width (mm)
	1				
Sheet:	A2	Extra info:	POTMAGNET SrFe	General tolerance:	ISO 2768 - mK
Drawn:	TM	Weight (kg):	0,13	Drawn according:	ISO268; ISO1101; ISO2553
Date:	7-7-2020			Status:	Standard
Spare part:	False			Customer reference number:	F57C-v
Quick search:	POTGM	<small>© All rights reserved. Reproduction is not permitted without written permission of GOUDSMIT Magnetic Systems BV</small>		Document number:	GM16610
Description:	PM-HB-F-SG-D57x11xd6.5/24			Part number:	GM16610
				Doc.Rev:	-
				Rev:	-