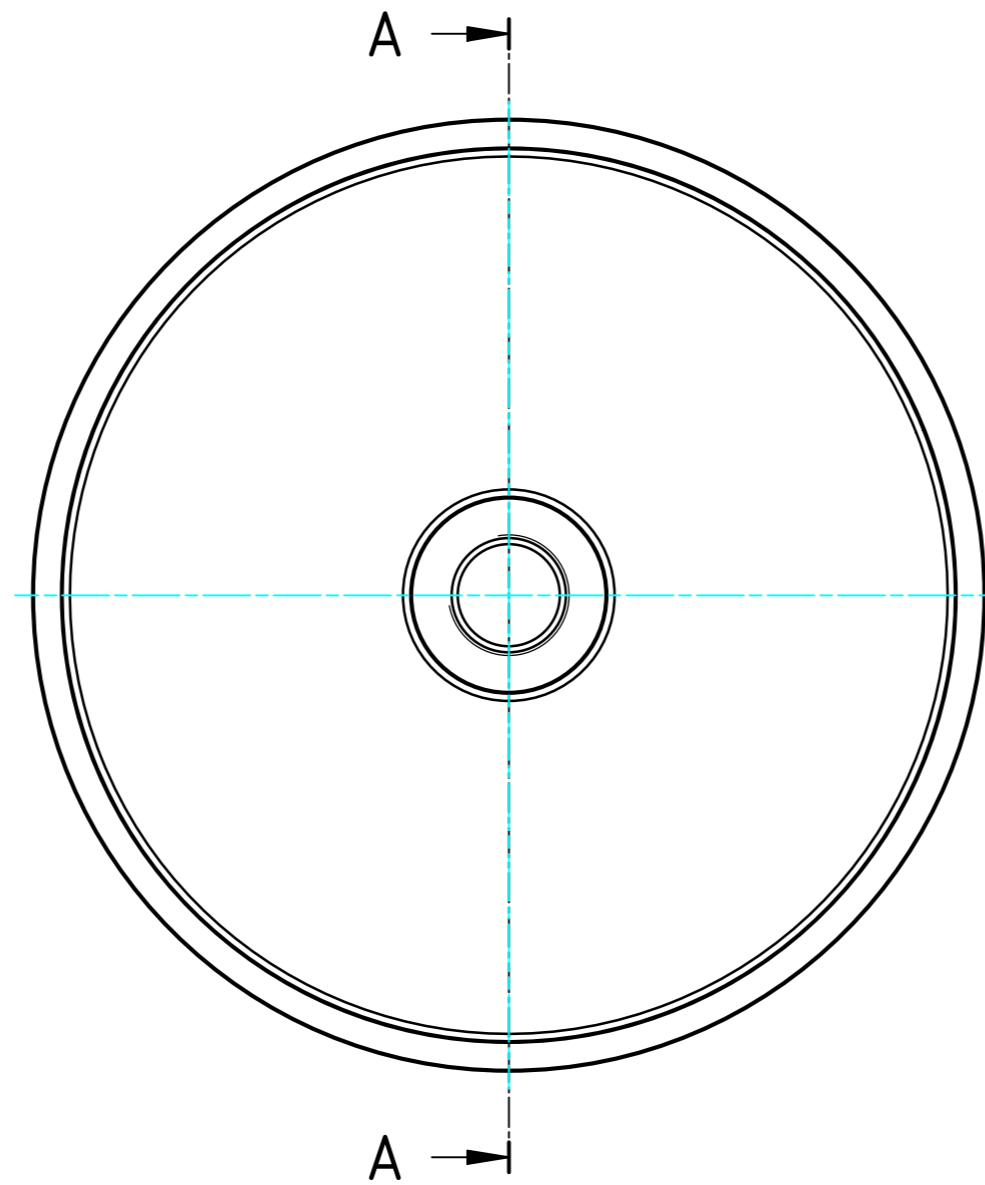
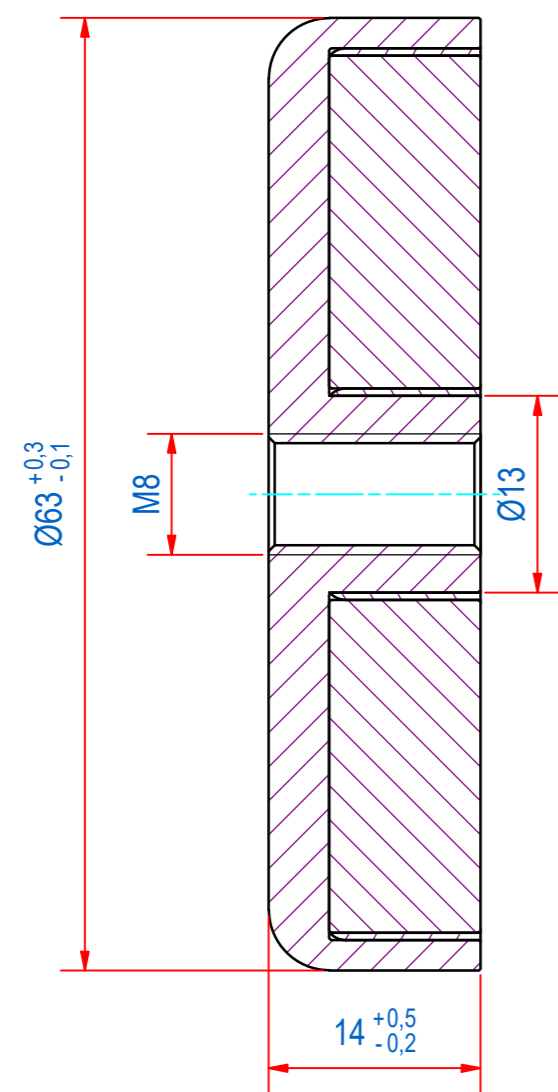


DOC.NR.	REV	DATE	BY	DESCRIPTION
GM16655	-	4-3-2020	PB	ORIGINAL DRAWING



A-A



SURFACE TREATMENT: ZINC PLATED

RAW MAT.	1							
Quantity		Material Number		Material Description		Length (mm)		Width (mm)
Sheet:	A2	Extra info:	POTMAGNET FERRITE	General tolerance:	ISO 2768 - mK			
Drawn:	PB	Weight (kg):	0,25	Drawn according:	ISO268; ISO1101; ISO2553			
Date:	4-3-2020			Status:	Standard			
Spare part:	False	Source:		Customer reference number:				
Quick search:	POTGM			Document number:	GM16655	Doc.Rev:		
Description:				Part number:	GM16655	Rev:		
					PM-TI-F-SG-D63x14xM8			



© All rights reserved. Reproduction is not permitted without written permission of GOUDSMIT Magnetic Systems BV