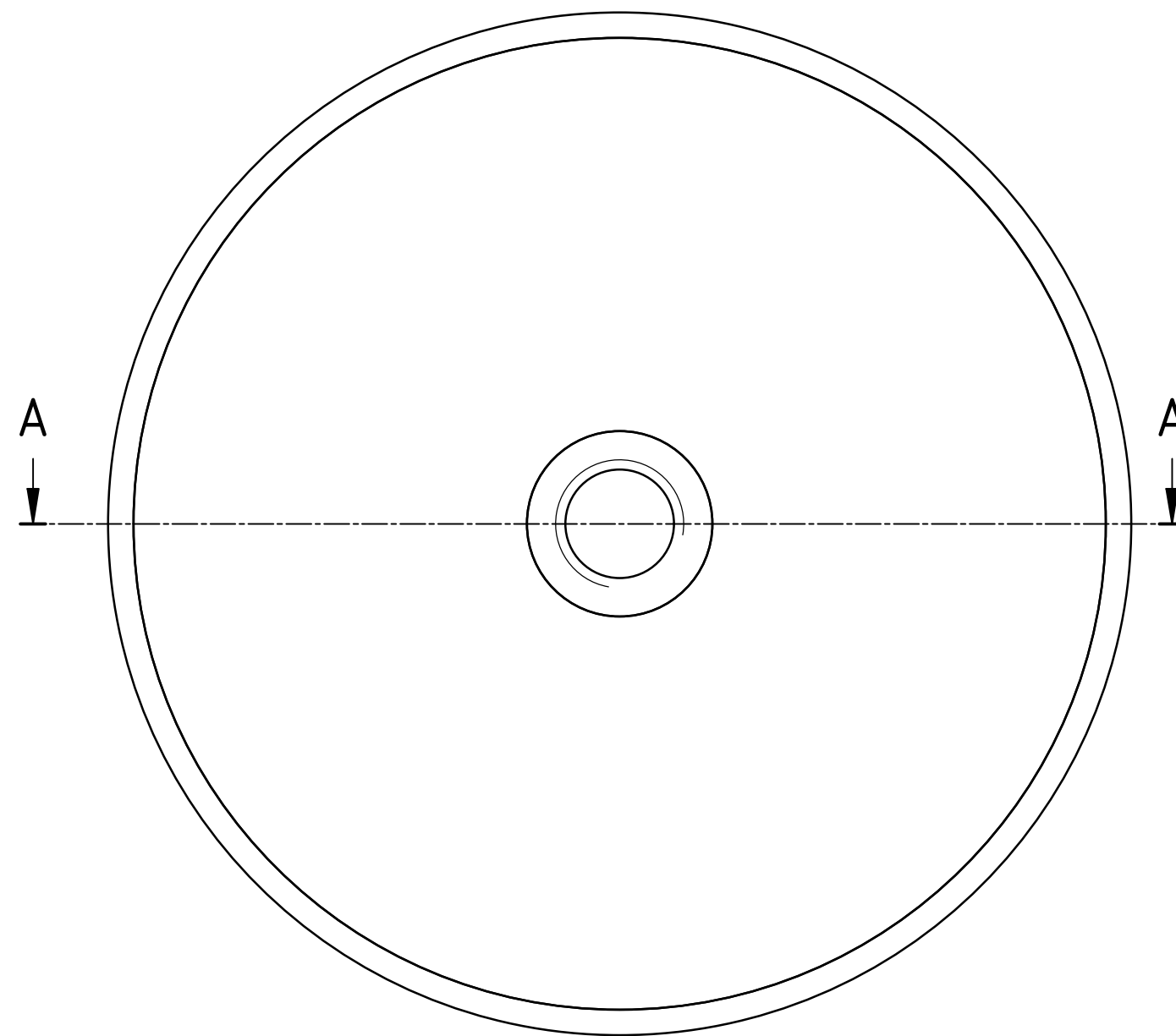
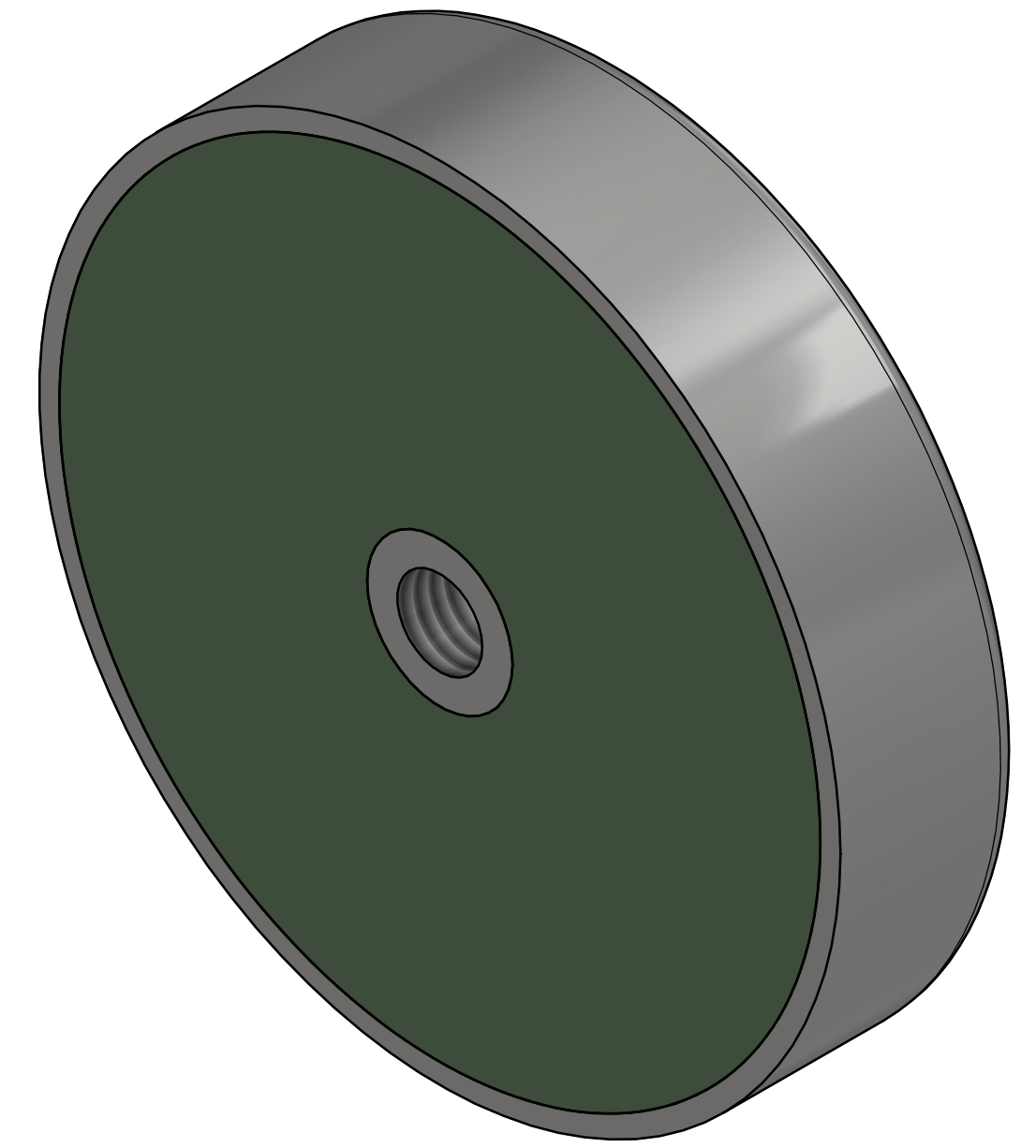
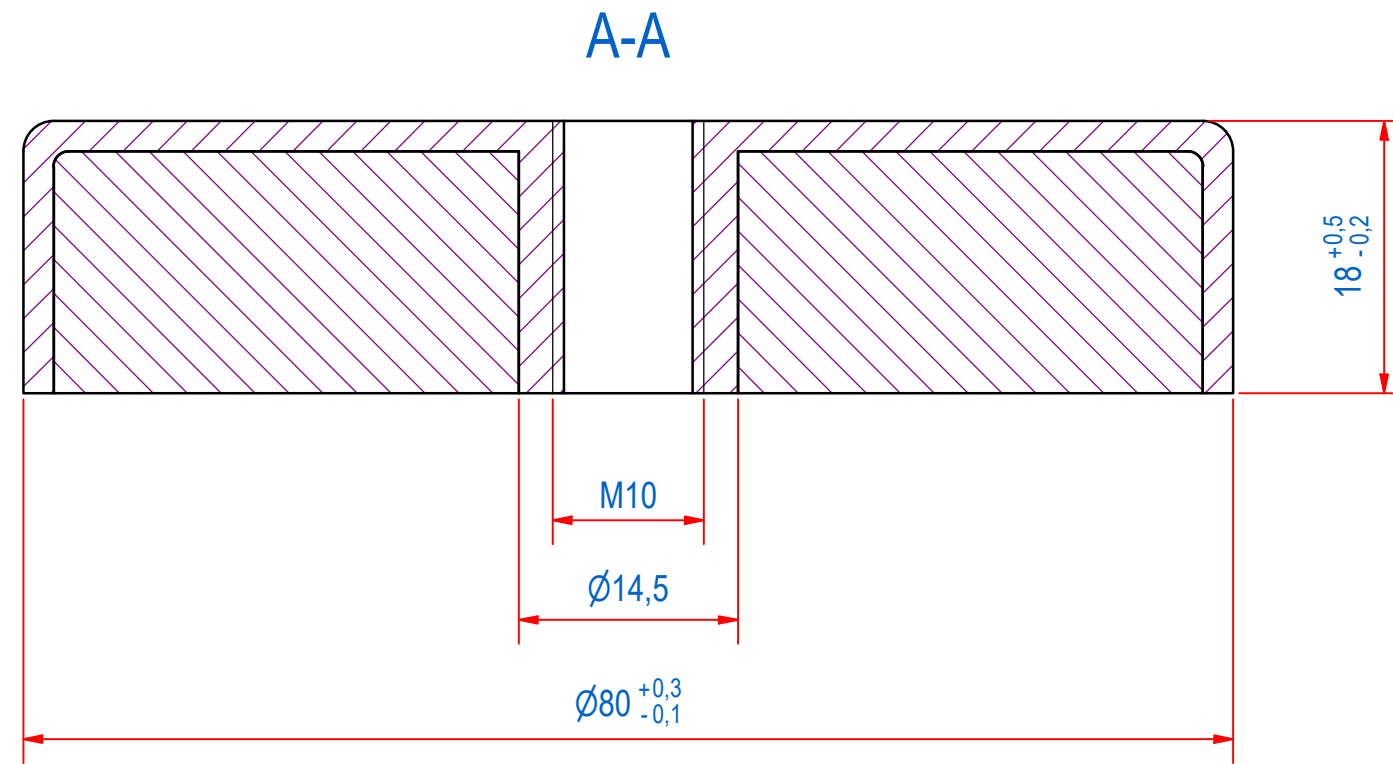


DOC.NR.	REV	DATE	BY	DESCRIPTION
GM16657	-	7-7-2020	TM	ORIGINAL DRAWING



RAW MAT.	Quantity	Material Number	Material Description	Length (mm)	Width (mm)
1					
Sheet: A2		Extra info: POTMAGNET SrFe		General tolerance: ISO 2768- mK	
Drawn: TM		Weight (kg): 0,47		Drawn according: ISO268; ISO1101; ISO2553	
Date: 7-7-2020				Status: Standard	
Spare part: False				Customer reference number: F80D-VM10	
Quick search: POTGM		© All rights reserved. Reproduction is not permitted without written permission of GOUDSMIT Magnetic Systems BV		Document number: GM16657 Doc.Rev: -	
Description: PM-TI-F-SG-D80x18xM10				Part number: GM16657 Rev: -	