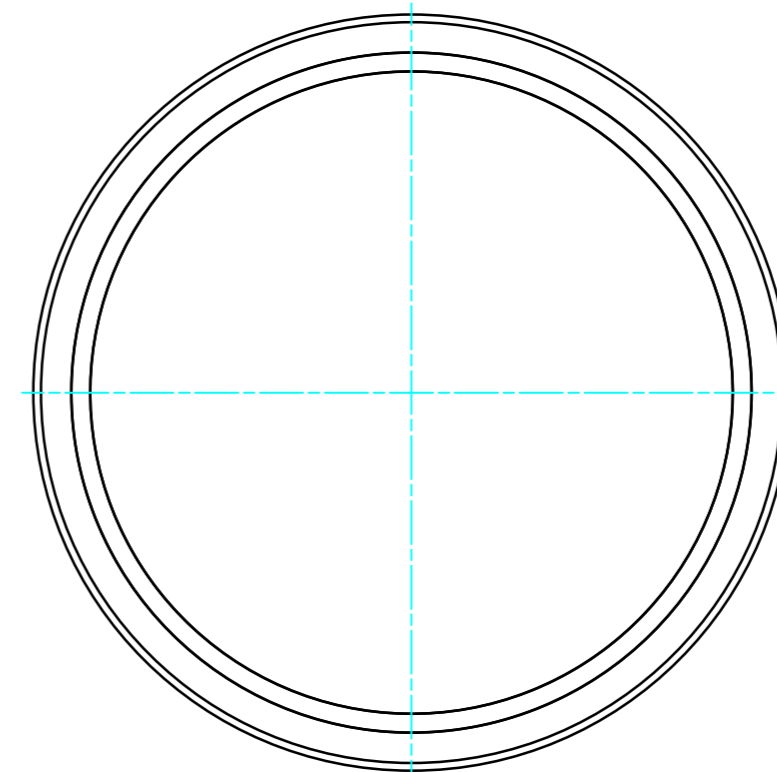
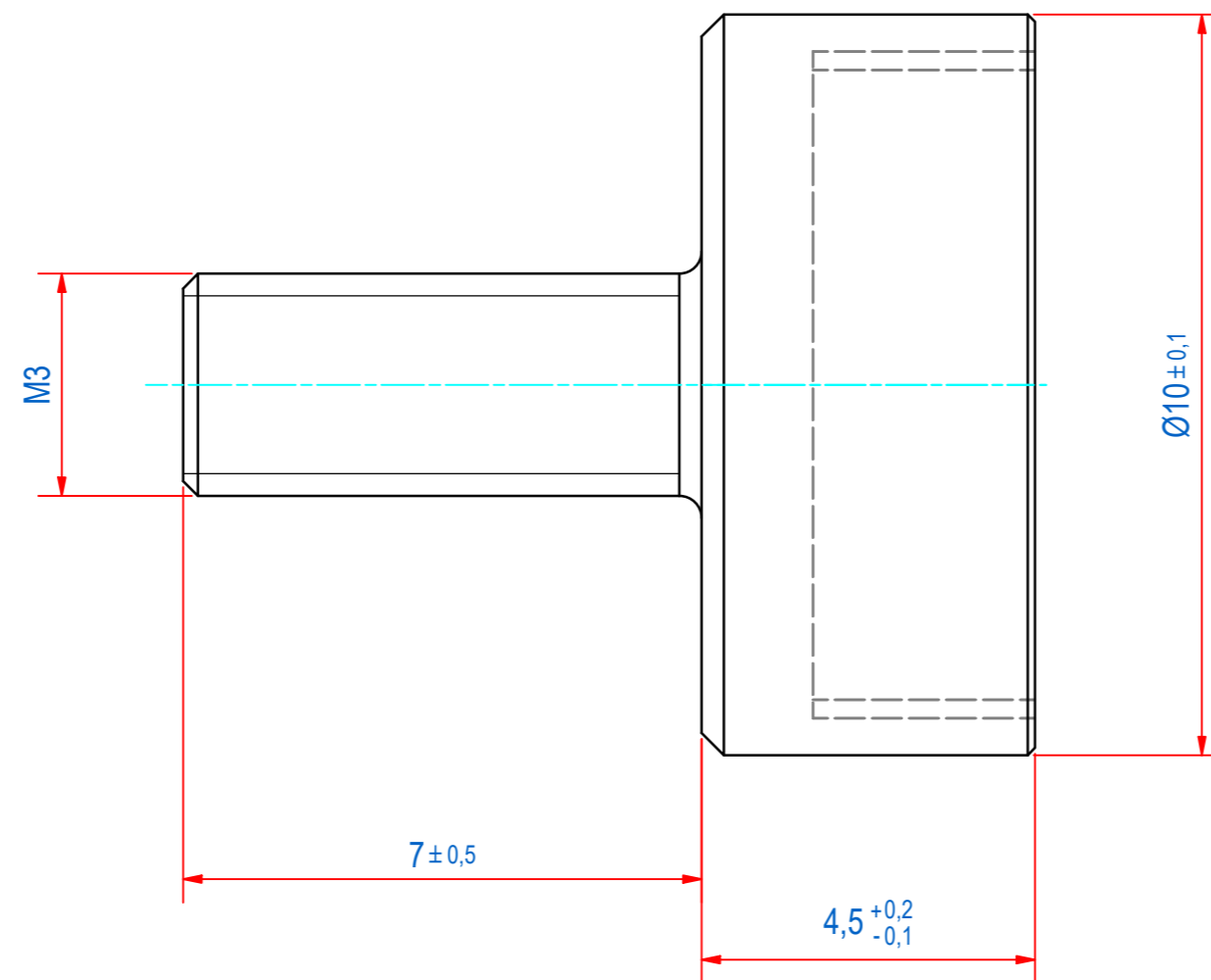
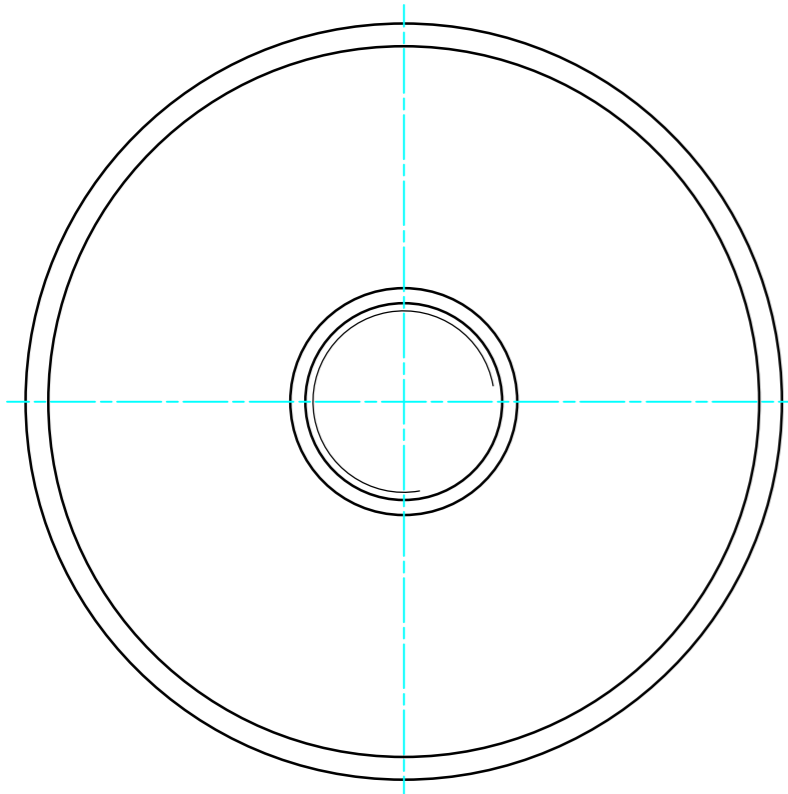
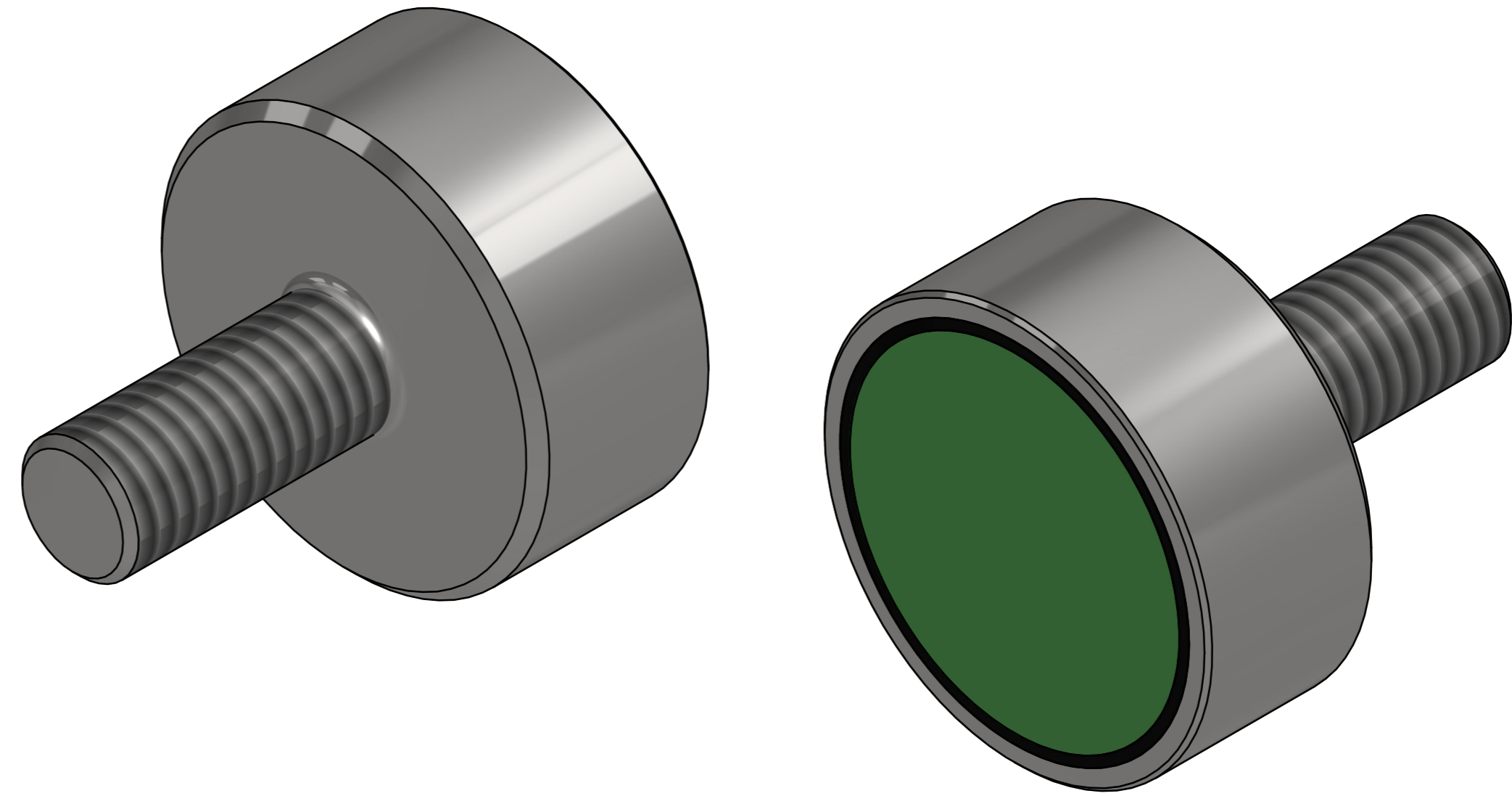


DOC.NR.	REV	DATE	BY	DESCRIPTION
GM16701	-	25-9-2019	PV	ORIGINAL DRAWING



SURFACE TREATMENT: ZINC PLATED

RAW MAT.	1								
Quantity		Material Number		Material Description		Length (mm)		Width (mm)	
Sheet:	A2	Extra info:	POTMAGNET FERRITE		General tolerance:	ISO 2768- mK			
Drawn:	PV	Weight (kg):	0,003		Drawn according:	ISO268; ISO1101; ISO2553			
Date:	9-9-2019				Status:	Standard			
Spare part:	False	Source:			Customer reference number:				
Quick search:	POTGM				Document number:	GM16701	Doc.Rev:		
Description:	PM-TE-F-SG-D10x4.5xM3x7				Part number:	GM16701	Rev:		



© All rights reserved. Reproduction is not permitted without written permission of GOUDSMIT Magnetic Systems BV