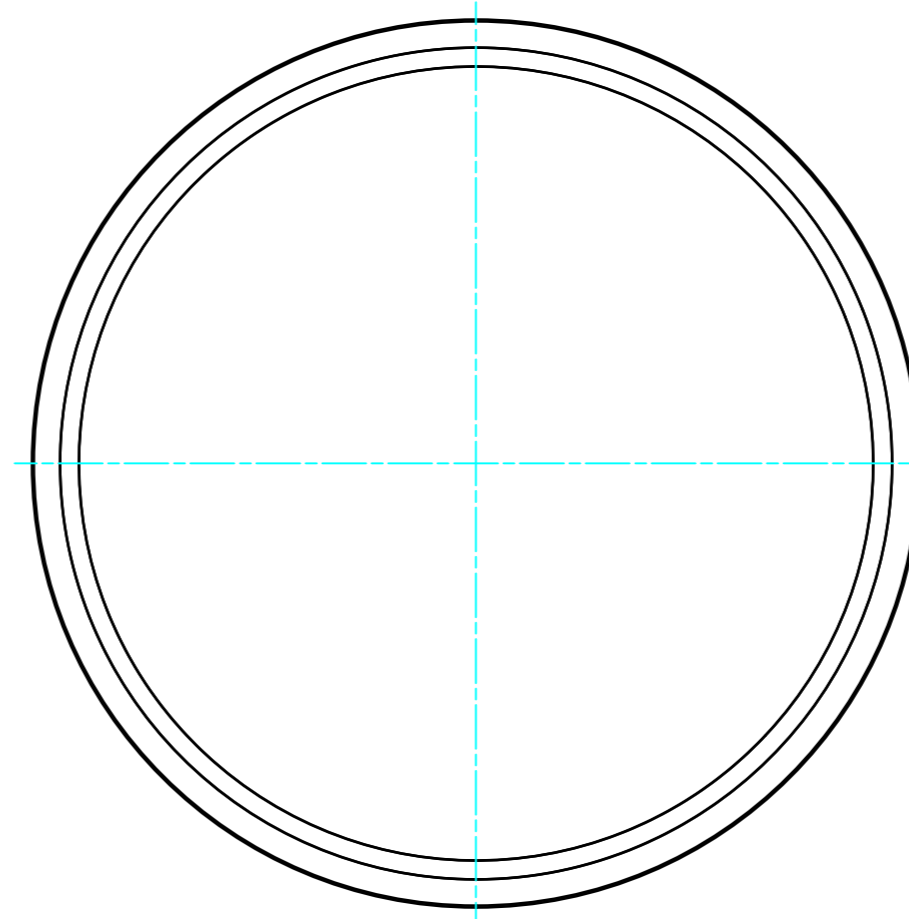
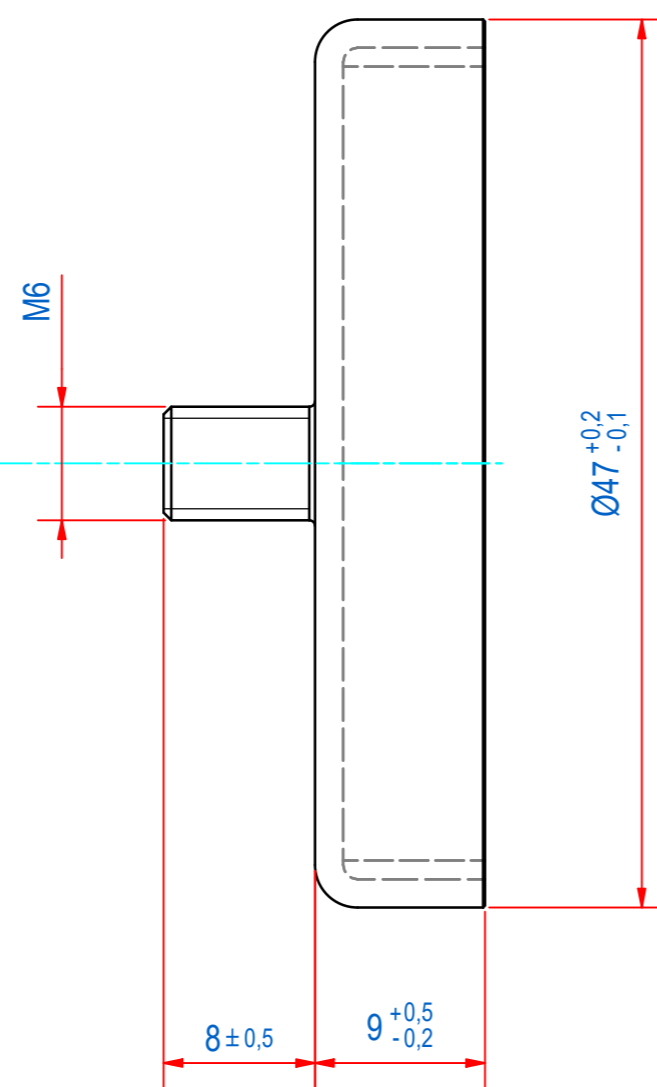
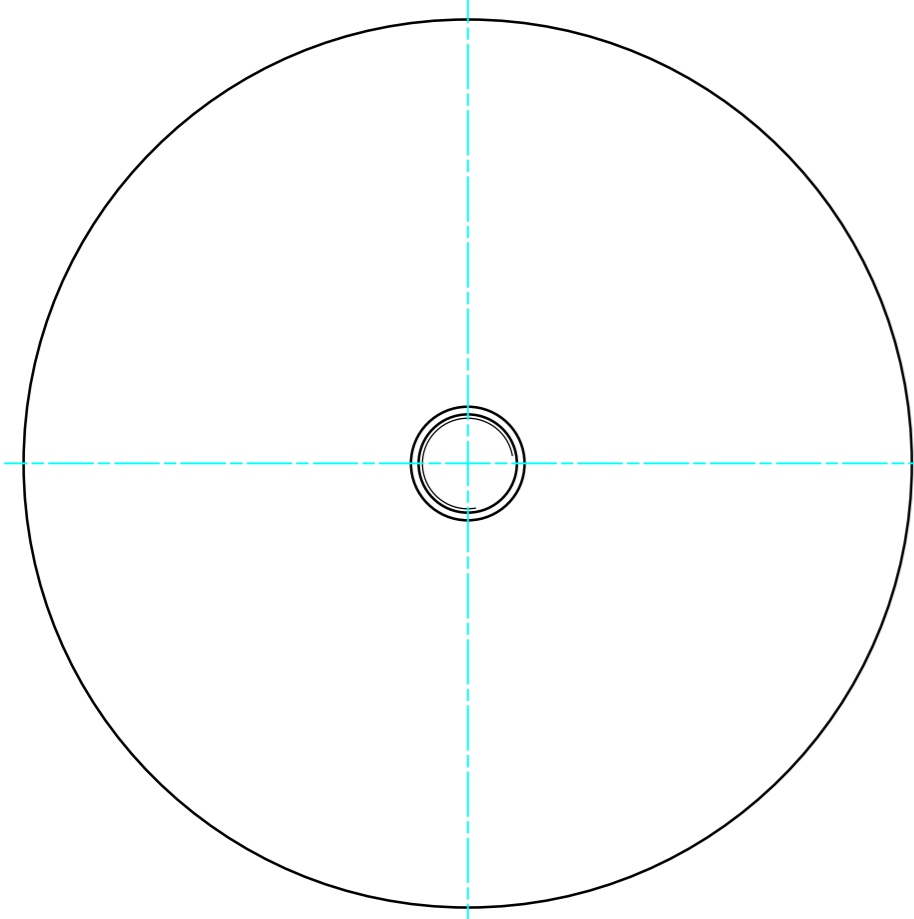
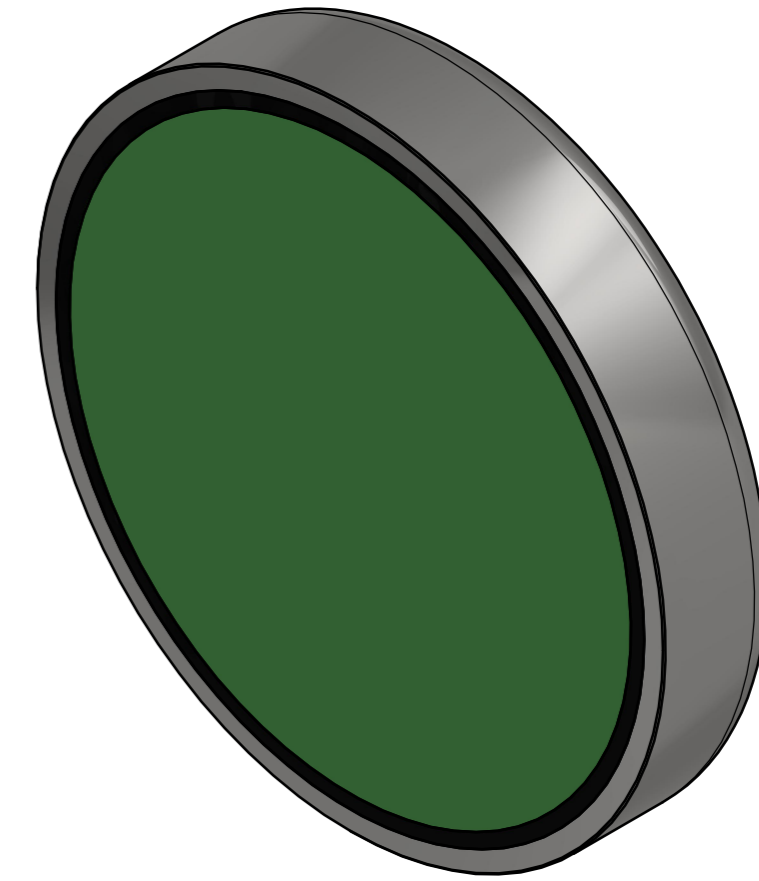


DOC.NR.	REV	DATE	BY	DESCRIPTION
GM16707	-	27-9-2019	PV	ORIGINAL DRAWING



SURFACE TREATMENT: ZINC PLATED

RAW MAT.	1	Quantity	Material Number	Material Description	Length (mm)	Width (mm)
Drawn:	PV	Sheet:	A2	Extra info: POTMAGNET FERRITE	General tolerance: ISO 2768- mK	
Date:	10-9-2019	Weight (kg):	0,12	Drawn according: ISO268; ISO1101; ISO2553		Status: Standard
Spare part:	False	Source:			Customer reference number:	
Quick search:	POTGM	<small>© All rights reserved. Reproduction is not permitted without written permission of GOUDSMIT Magnetic Systems BV</small>		Document number:	GM16707	Doc.Rev: -
Description:	PM-TE-F-SG-D47x9xM6x8			Part number:	GM16707	Rev: -