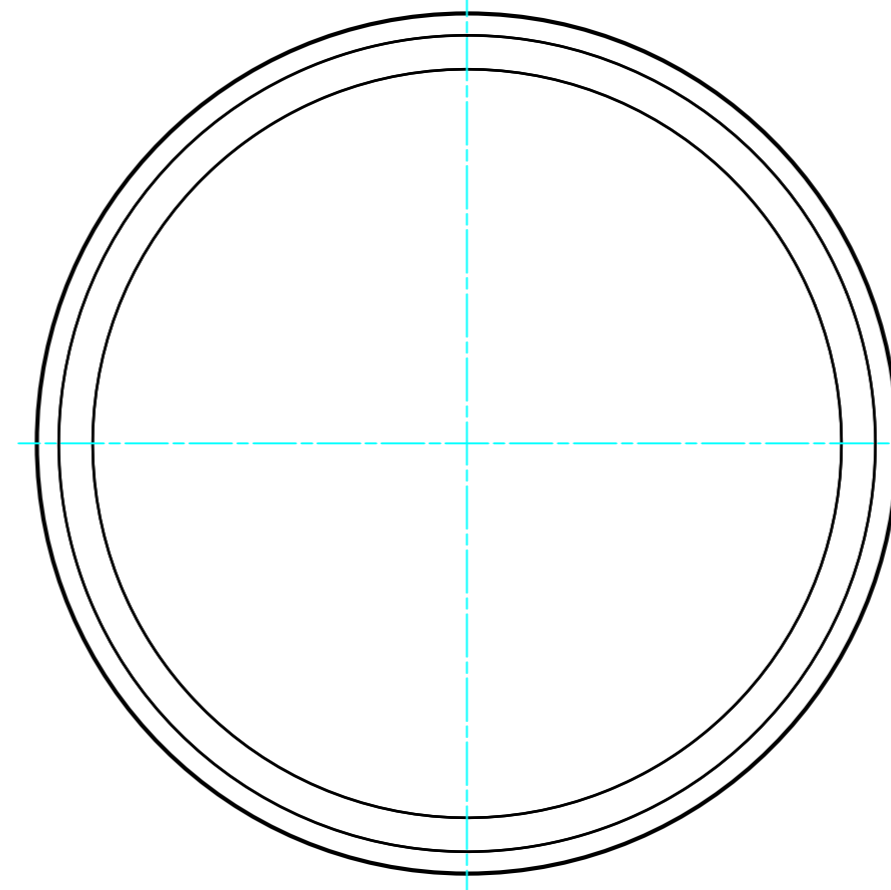
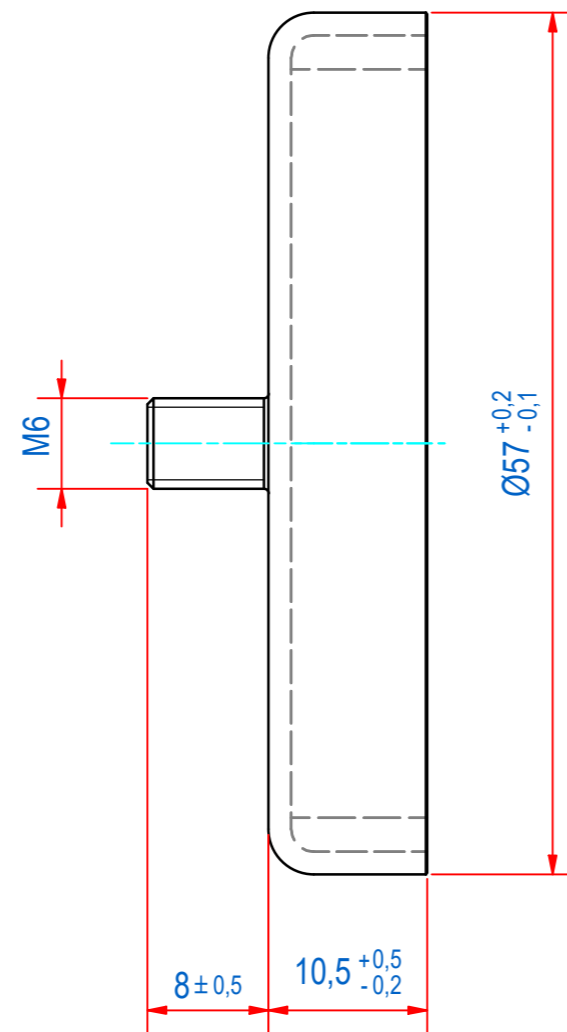
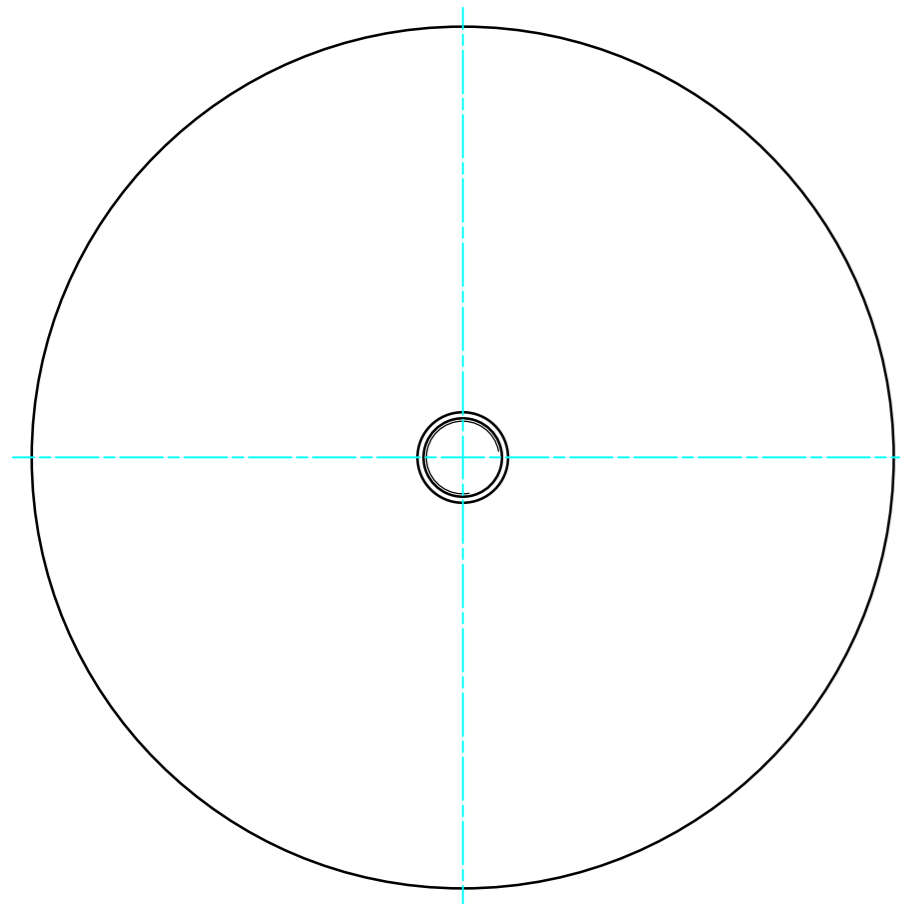
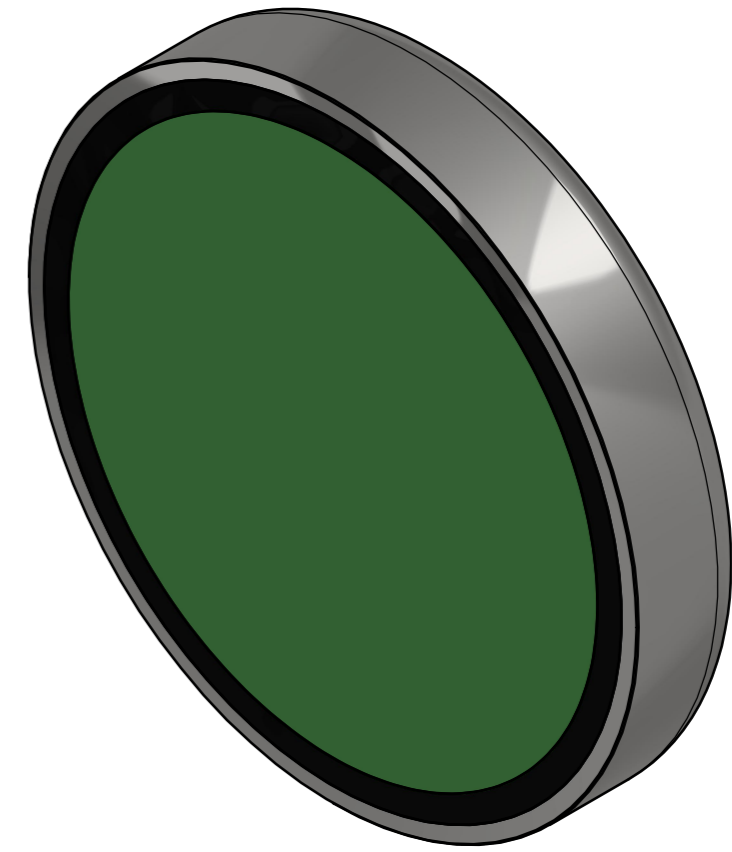


DOC.NR.	REV	DATE	BY	DESCRIPTION
GM16708	-	27-9-2019	PV	ORIGINAL DRAWING
GM16708	A	19-8-2020	TM	TOLERANCE CHANGED (+0,2 WAS +0,3)



SURFACE TREATMENT: ZINC PLATED

RAW MAT.	1								
Quantity		Material Number		Material Description		Length (mm)		Width (mm)	
Sheet:	A2	Extra info:	POTMAGNET FERRITE		General tolerance:	ISO 2768- mK			
Drawn:	PV	Weight (kg):	0,19		Drawn according:	ISO268; ISO1101; ISO2553			
Date:	11-9-2019				Status:	Standard			
Spare part:	False	Source:			Customer reference number:				
Quick search:	POTGM				Document number:	GM16708	Doc.Rev:	A	
Description:	PM-TE-F-SG-D57x10.5xM6x8				Part number:	GM16708		Rev:	-