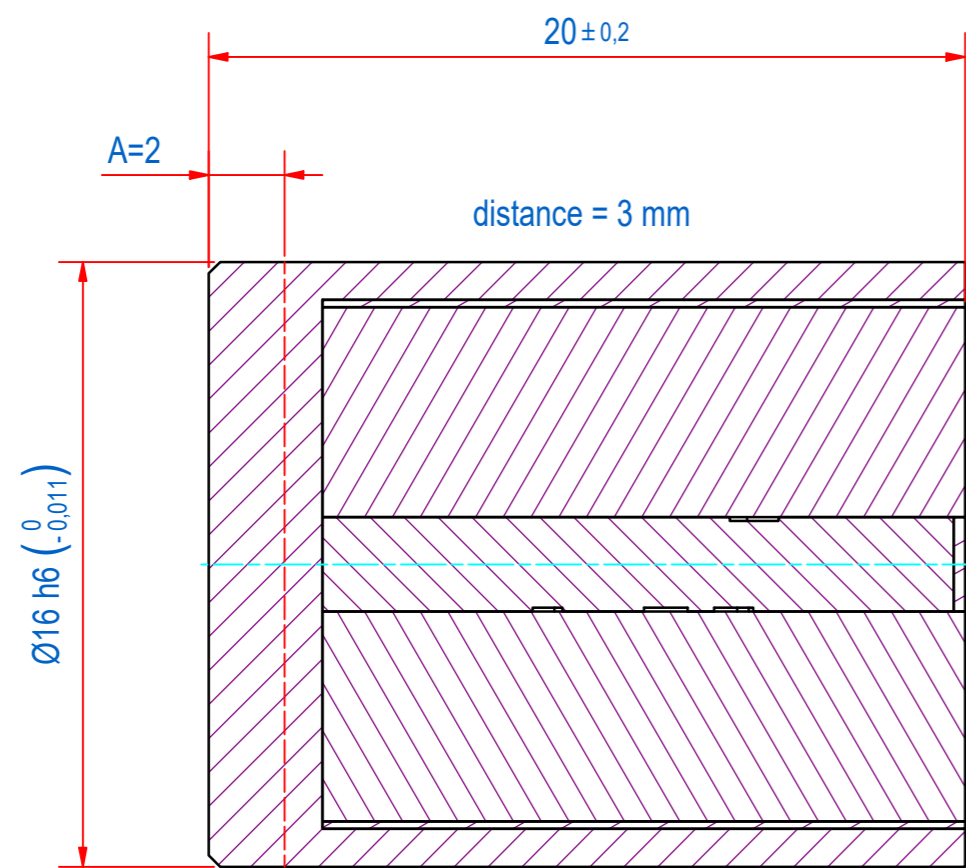
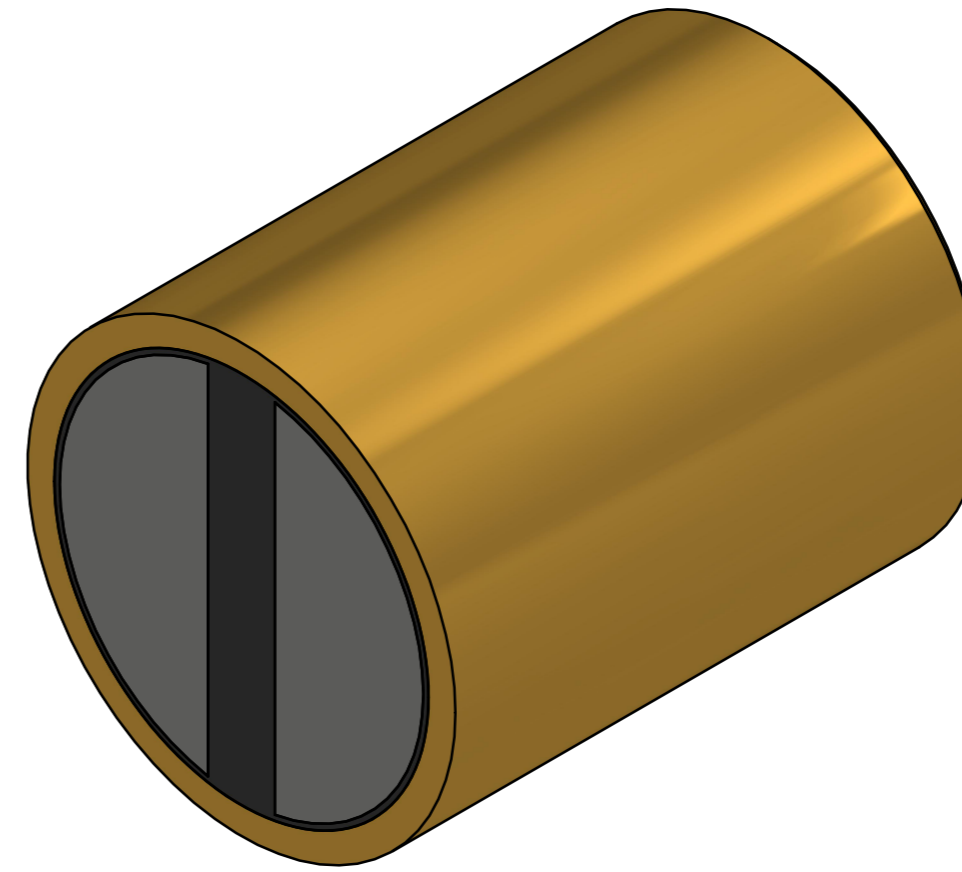
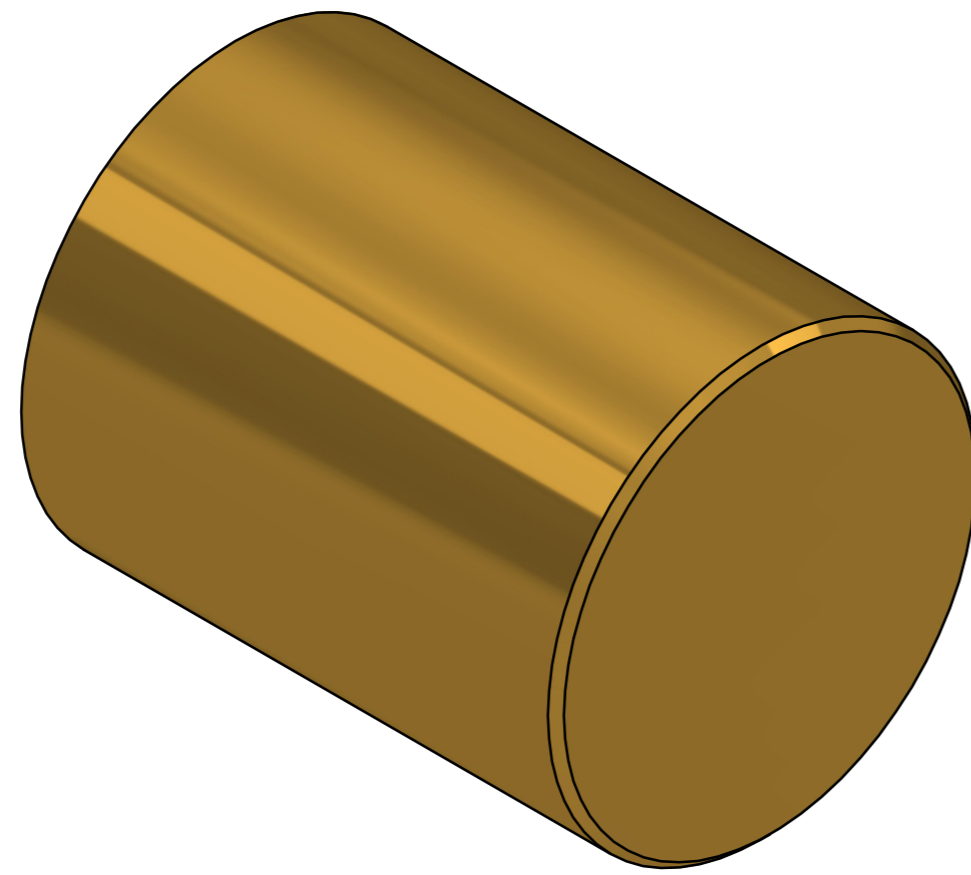
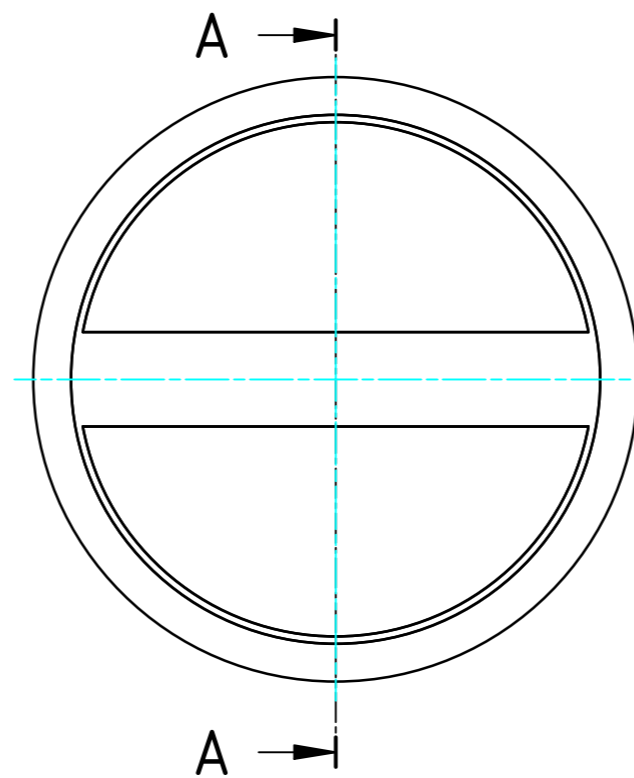



DOC.NR.	REV	DATE	BY	DESCRIPTION
GM17005	-	27-9-2019	PV	ORIGINAL DRAWING



A-A



DIRECT MOUNTING OF THE BAR MAGNET IN IRON REDUCES THE HOLDING FORCE BY UP TO 15% DUE TO MAGNETIC SHORT-CIRCUITING. TO AVOID THIS, CERTAIN DISTANCES SHOULD BE MAINTAINED BETWEEN THE BRASS CASING OF THE BAR MAGNET AND THE IRON. THE DISTANCES SHOULD ALSO BE OBSERVED IF THE BAR MAGNET IS SHORTENED WITH DIMENSION A. PLEASE REFER TO THE DISTANCE IN THE DRAWING (distance .... mm).

RAW MAT.	1	Quantity	Material Number	Material Description	Length (mm)	Width (mm)
Sheet:	A2	Extra info:	POT MAGNET SAMARIUM-COBALT		General tolerance: ISO 2768- mK	
Drawn:	PV	Weight (kg):	0,031		Drawn according: ISO268; ISO1101; ISO2553	
Date:	6-9-2019	Status:	Standard		Customer reference number:	
Spare part:	False	Source:			Document number: GM17005 Doc.Rev: -	
Quick search:	POTGM	<small>© All rights reserved. Reproduction is not permitted without written permission of GOUDSMIT Magnetic Systems BV</small>		Part number: GM17005 Rev: -		
Description:	PM-BA-S-BR-D16h6x20					