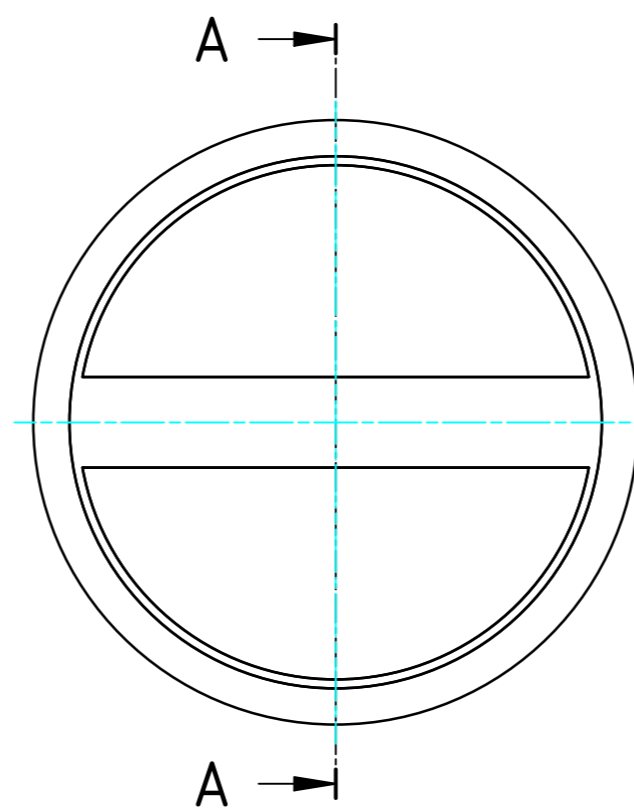
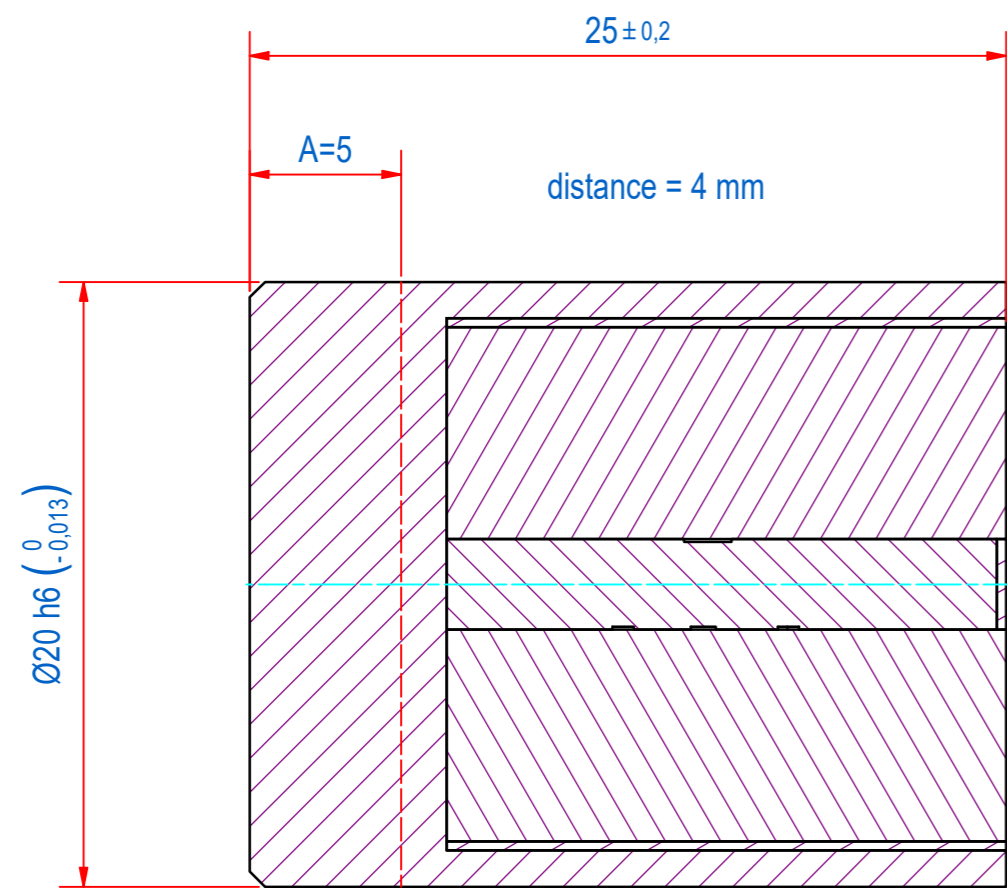
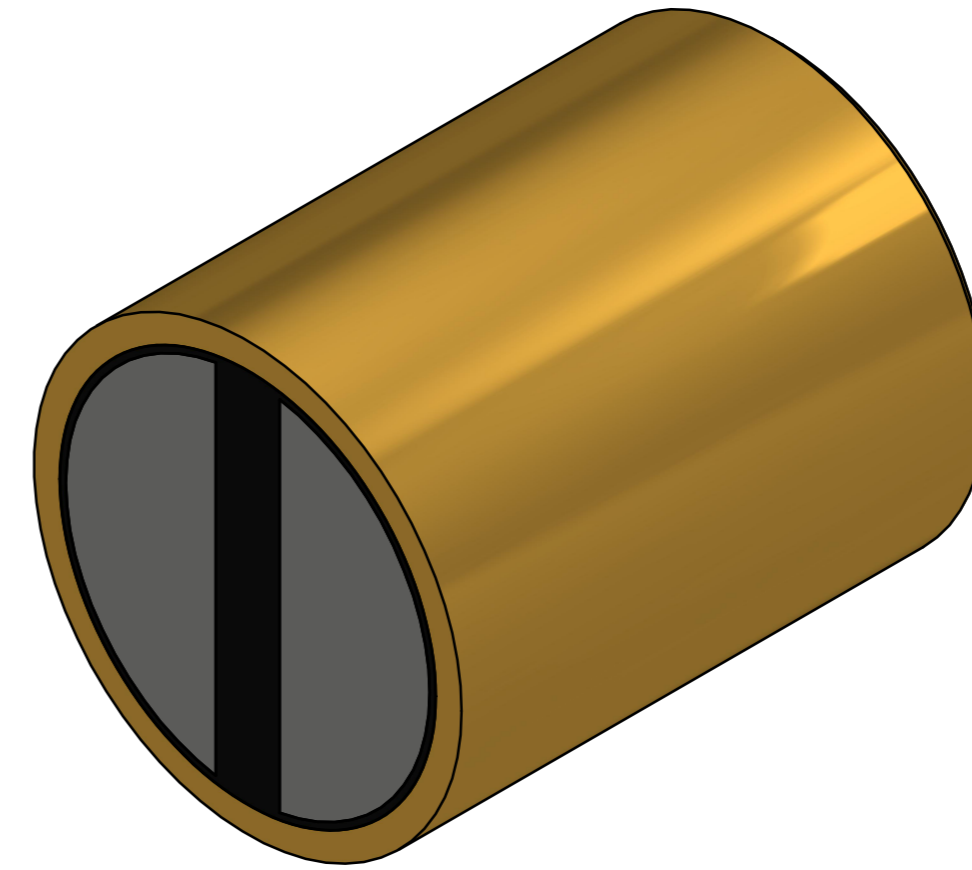
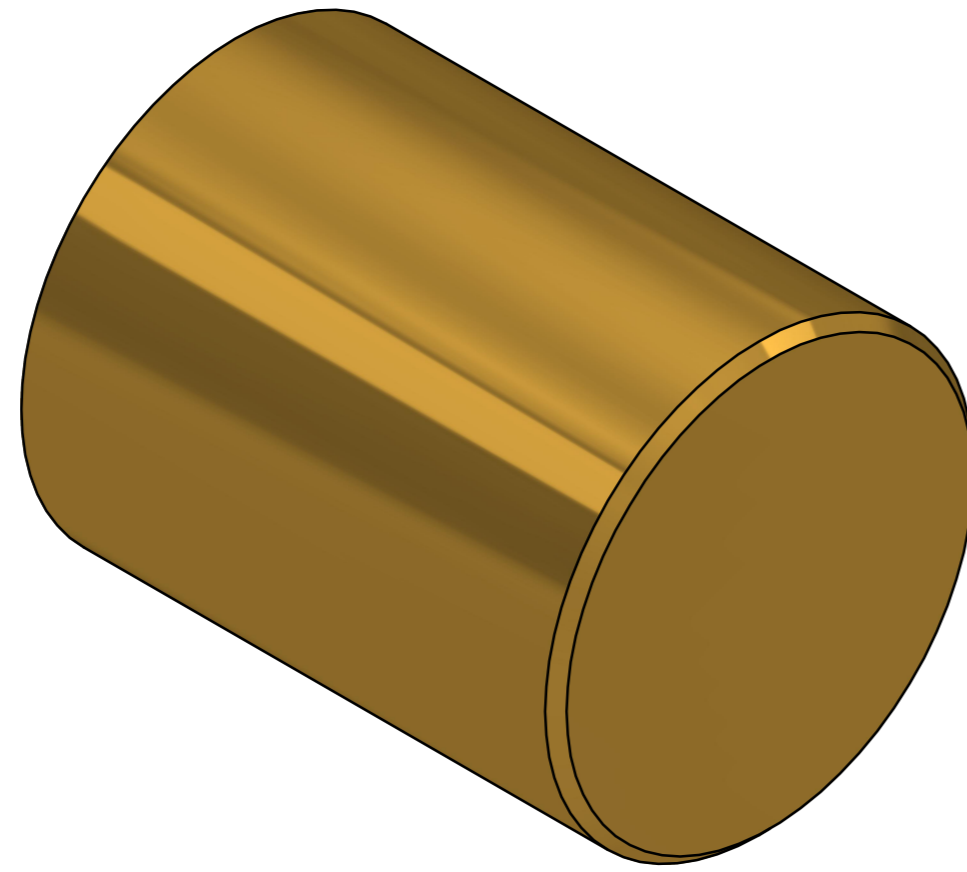


DOC.NR.	REV	DATE	BY	DESCRIPTION
GM17006	-	27-9-2019	PV	ORIGINAL DRAWING



A-A

DIRECT MOUNTING OF THE BAR MAGNET IN IRON REDUCES THE HOLDING FORCE BY UP TO 15% DUE TO MAGNETIC SHORT-CIRCUITING. TO AVOID THIS, CERTAIN DISTANCES SHOULD BE MAINTAINED BETWEEN THE BRASS CASING OF THE BAR MAGNET AND THE IRON. THE DISTANCES SHOULD ALSO BE OBSERVED IF THE BAR MAGNET IS SHORTENED WITH DIMENSION A. PLEASE REFER TO THE DISTANCE IN THE DRAWING (distance mm).

RAW MAT.	1	Quantity	Material Number	Material Description	Length (mm)	Width (mm)
Sheet:	A2	Extra info:	POT MAGNET SAMARIUM-COBALT		General tolerance: ISO 2768- mK	
Drawn:	PV	Weight (kg):	0,061		Drawn according: ISO268; ISO1101; ISO2553	
Date:	6-9-2019	Source:	GOUDSMIT MAGNETICS		Status: Standard	
Spare part:	False	Quick search:	POTGM		Customer reference number:	
Description:	PM-BA-S-BR-D20h6x25			Document number:	GM17006	Doc.Rev: -
				Part number:	GM17006	Rev: -