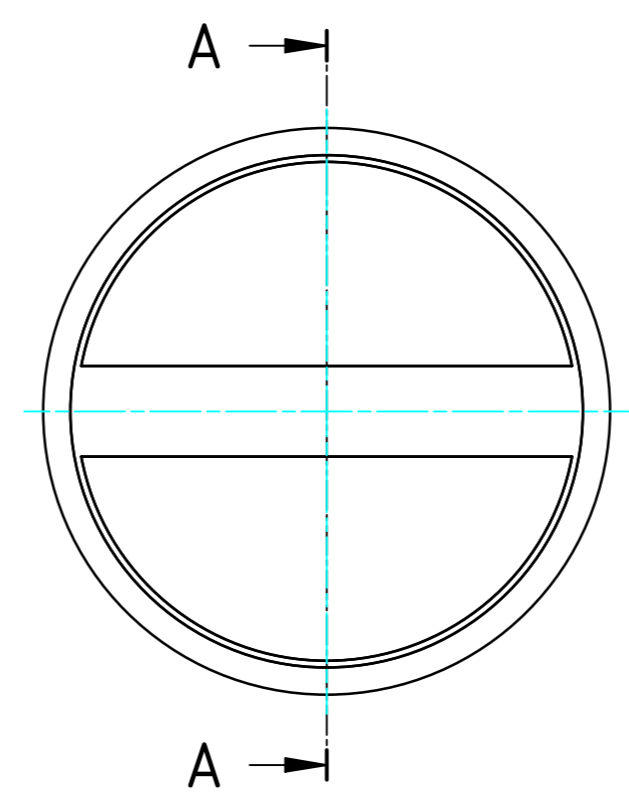
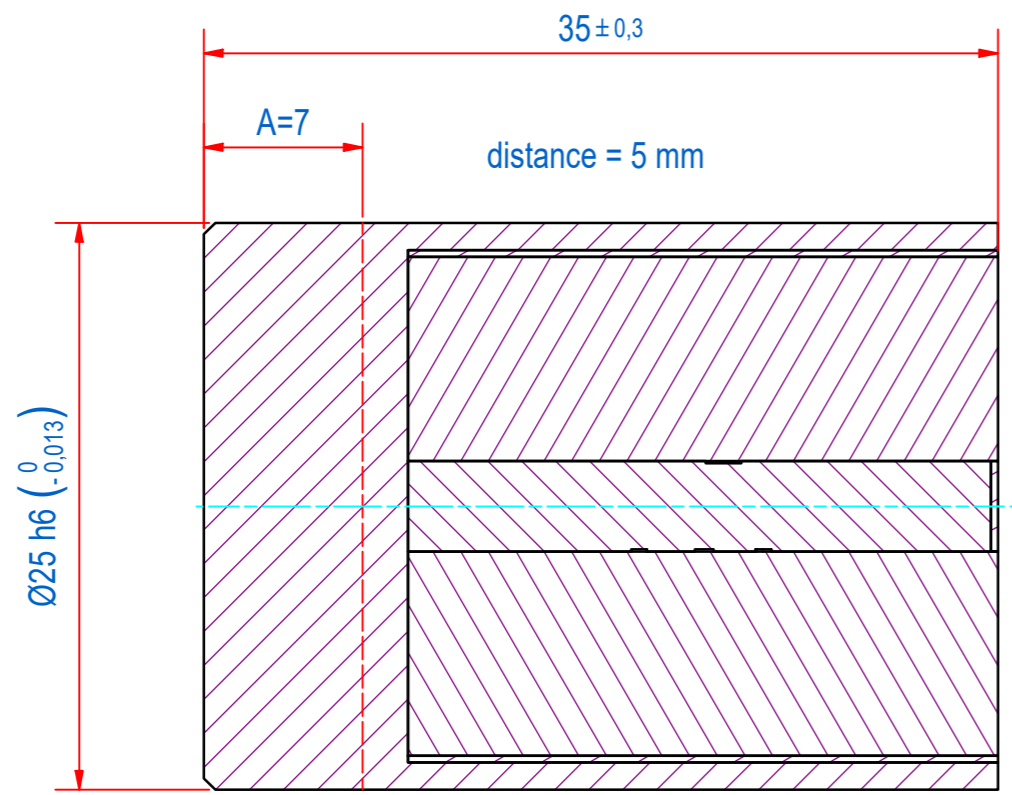
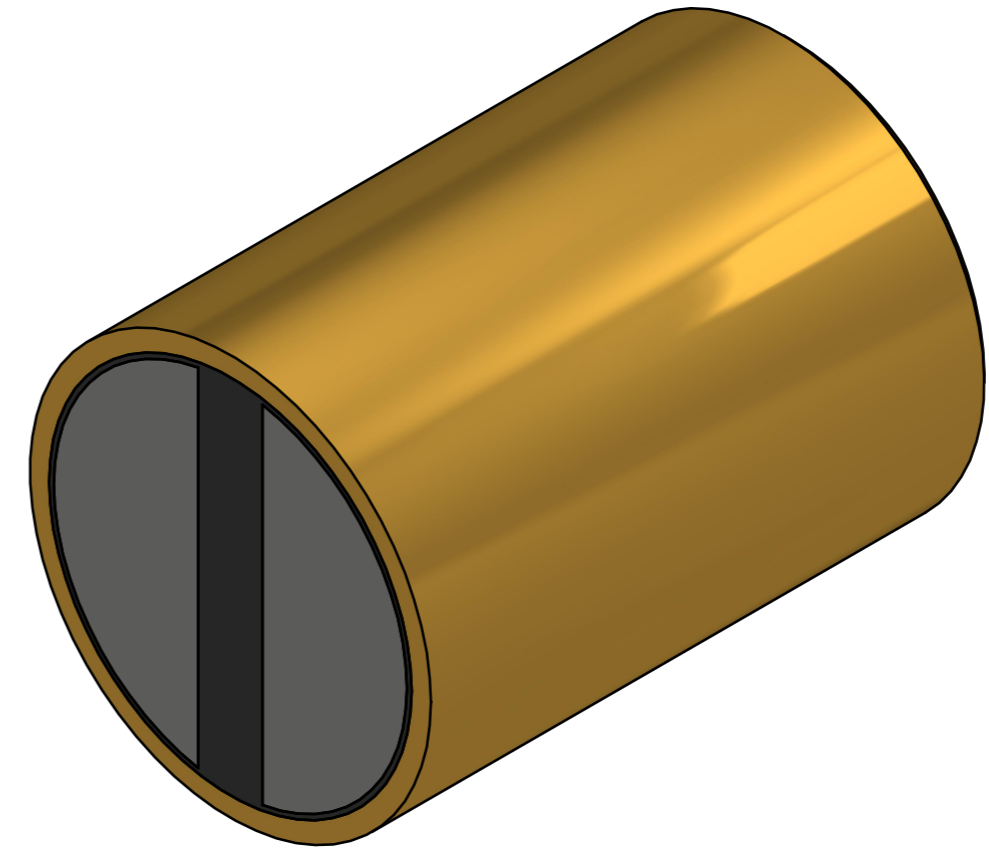
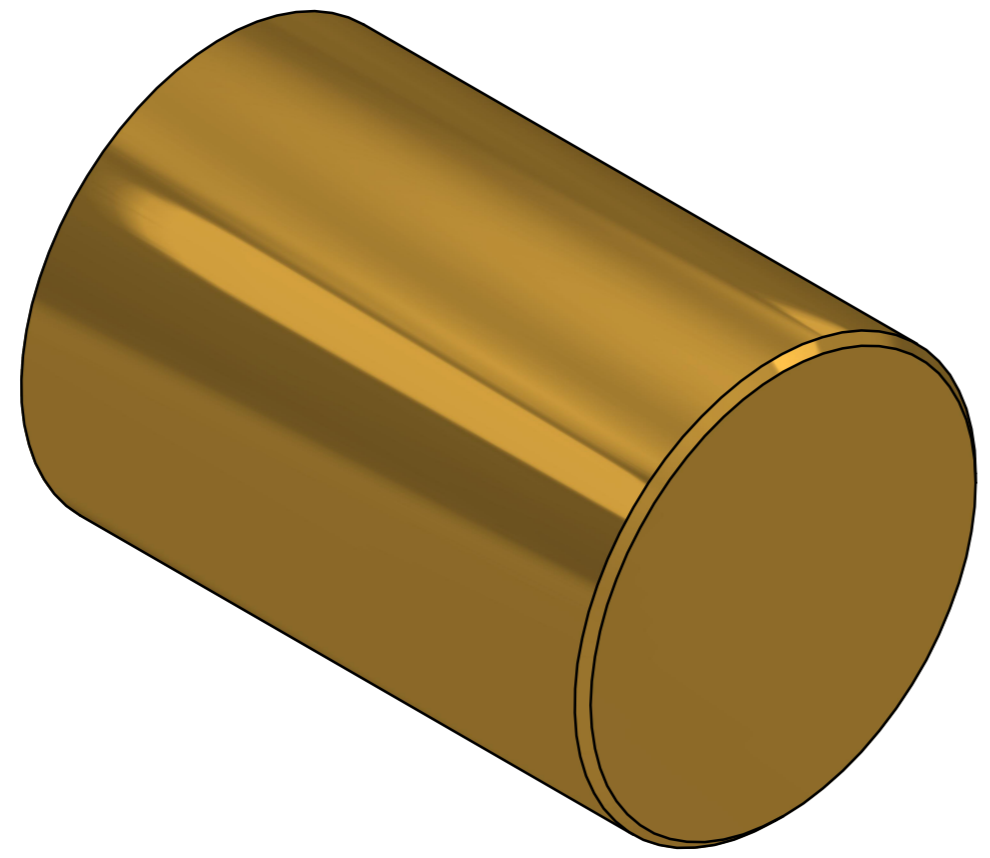


| DOC.NR. | REV | DATE | BY | DESCRIPTION |
|---------|-----|-----------|----|------------------|
| GM17007 | - | 27-9-2019 | PV | ORIGINAL DRAWING |



A-A

DIRECT MOUNTING OF THE BAR MAGNET IN IRON REDUCES THE HOLDING FORCE BY UP TO 15% DUE TO MAGNETIC SHORT-CIRCUITING. TO AVOID THIS, CERTAIN DISTANCES SHOULD BE MAINTAINED BETWEEN THE BRASS CASING OF THE BAR MAGNET AND THE IRON. THE DISTANCES SHOULD ALSO BE OBSERVED IF THE BAR MAGNET IS SHORTENED WITH DIMENSION A. PLEASE REFER TO THE DISTANCE IN THE DRAWING (distance mm).

| | | | | | | | | | |
|---------------|---------------------|---|------|---|--|-------------|--|------------|--|
| RAW MAT. | 1 | | | | | | | | |
| Quantity | | Material Number | | Material Description | | Length (mm) | | Width (mm) | |
| Sheet: | A2 | Extra info: POT MAGNET SAMARIUM-COBALT | | General tolerance: ISO 2768- mK | | | | | |
| Drawn: | PV | Weight (kg): | 0,13 | Drawn according: ISO268; ISO1101; ISO2553 | | | | | |
| Date: | 6-9-2019 | GOUDSMIT MAGNETICS | | Status: Standard | | | | | |
| Spare part: | False | © All rights reserved. Reproduction is not permitted without written permission of GOUDSMIT Magnetic Systems BV | | Customer reference number: | | | | | |
| Quick search: | POTGM | Document number: GM17007 | | Doc.Rev: - | | | | | |
| Description: | PM-BA-S-BR-D25h6x35 | | | Part number: GM17007 | | Rev: - | | | |