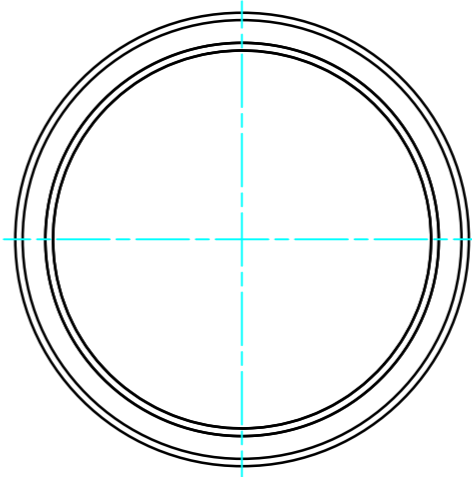
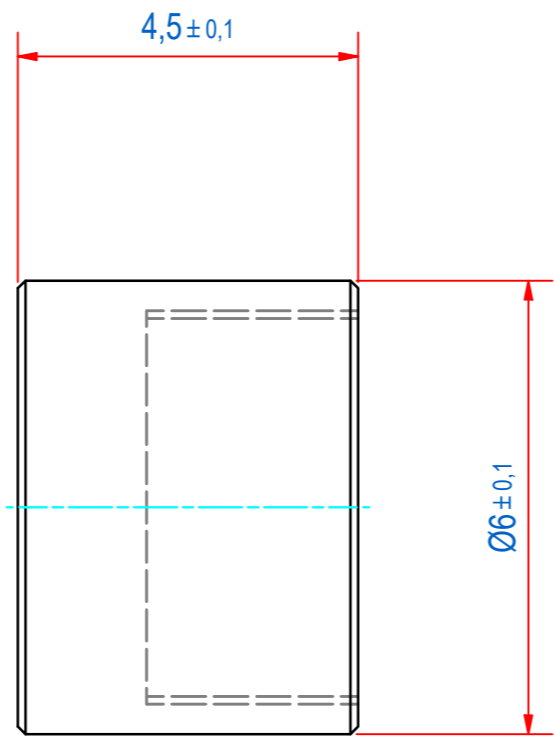
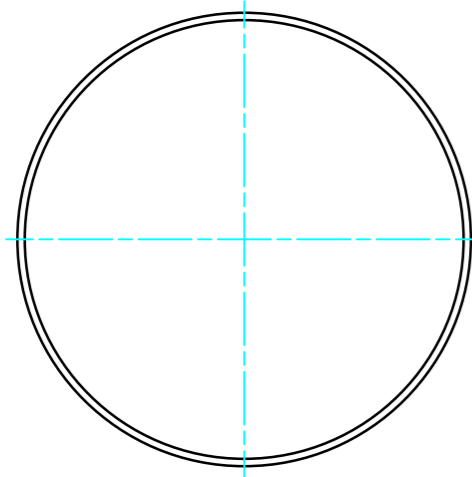
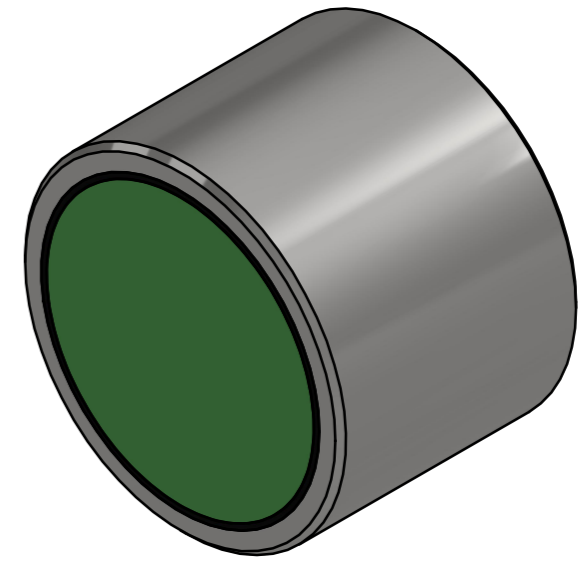
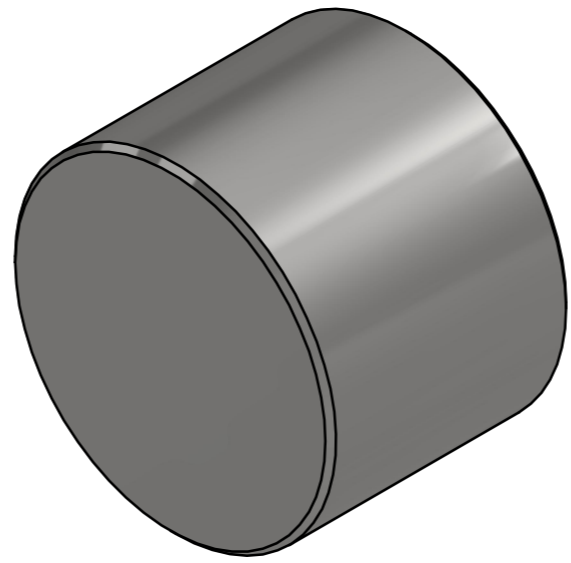



DOC.NR.	REV	DATE	BY	DESCRIPTION
E0119135	-	27-9-2019	PV	ORIGINAL DRAWING
E0119135	A	18-8-2020	TM	TOLERANCE CHANGED



SURFACE TREATMENT: ZINC PLATED

RAW MAT.	1	Quantity	Material Number	Material Description	Length (mm)	Width (mm)	
Sheet:	A2	Extra info:	POTMAGNETS SAMARIUM-COBALT			General tolerance:	ISO 2768- mK
Drawn:	PV	Weight (kg):	0,001			Drawn according:	ISO268; ISO1101; ISO2553
Date:	17-7-2019	Status:	Standard			Customer reference number:	
Spare part:	False	Source:				Document number:	E0119135
Quick search:	POTGM	Description:	<small>© All rights reserved. Reproduction is not permitted without written permission of GOUDSMIT Magnetic Systems BV</small> <b>PM-BA-S-SG-D6x4.5</b>			Doc.Rev:	A
					Part number:	GM17101	
					Rev:	-	