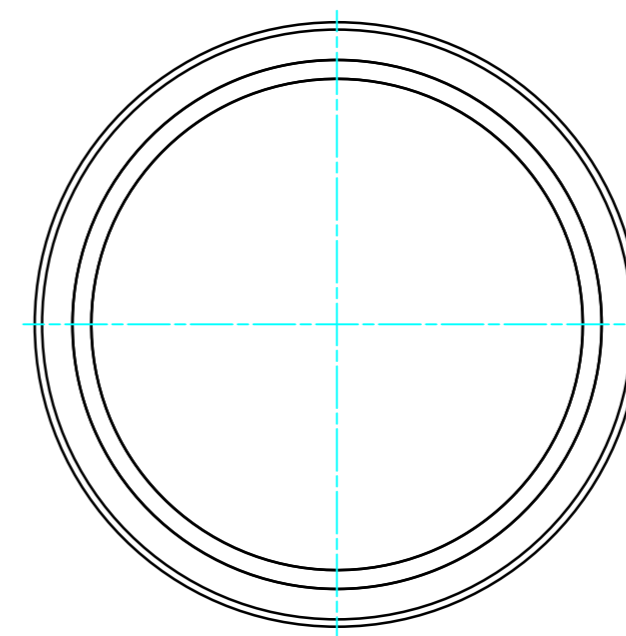
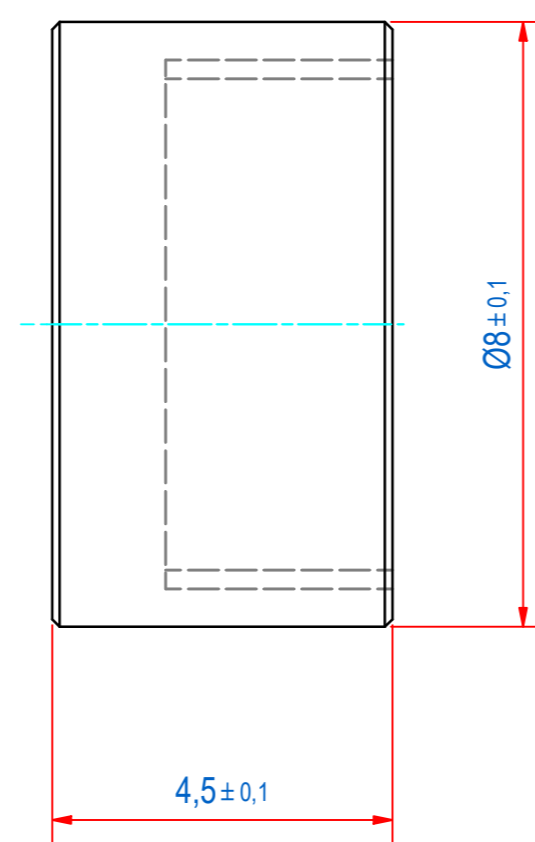
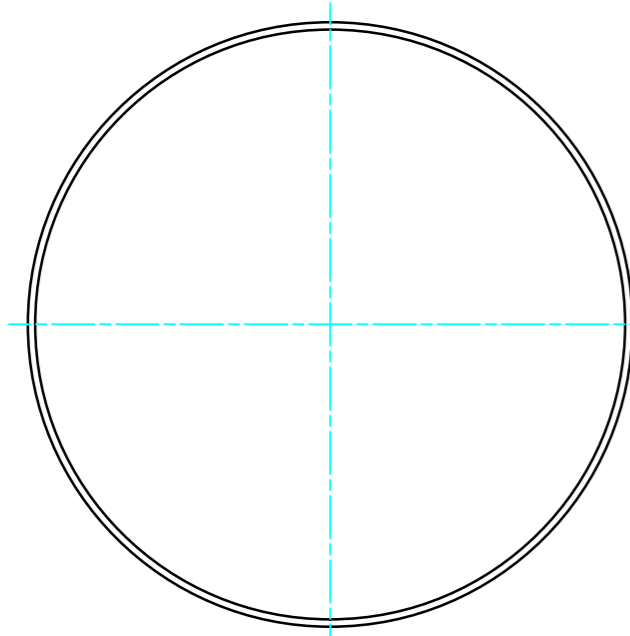
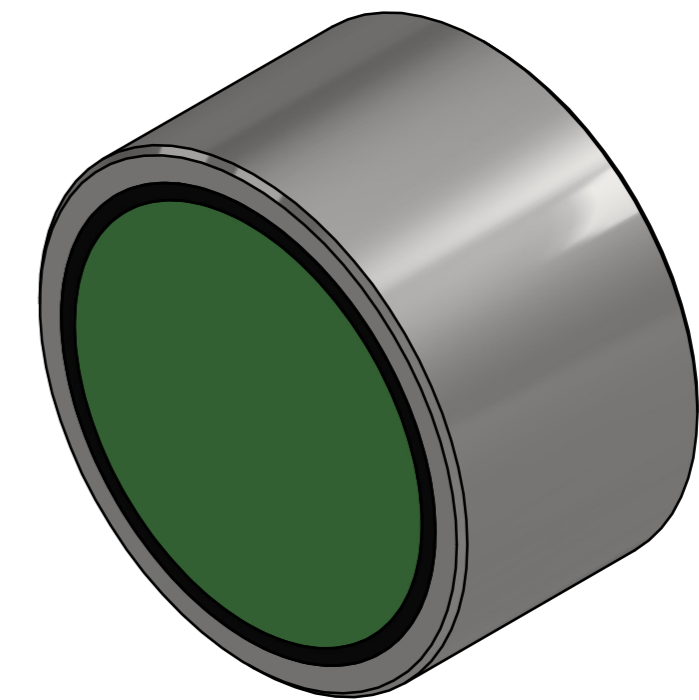
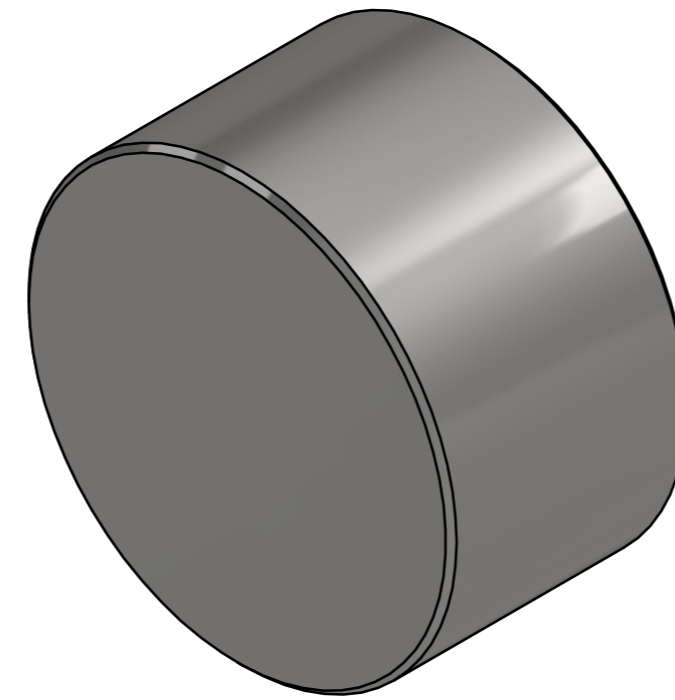


DOC.NR.	REV	DATE	BY	DESCRIPTION
E0119146	-	27-9-2019	PV	ORIGINAL DRAWING



SURFACE TREATMENT: ZINC PLATED

RAW MAT.	1	Quantity	Material Number	Material Description	Length (mm)	Width (mm)
Sheet:	A2	Extra info:	POTMAGNET SAMARIUM-COBALT		General tolerance: ISO 2768- mK	
Drawn:	PV	Weight (kg):	0,002		Drawn according: ISO268; ISO1101; ISO2553	
Date:	17-7-2019	Source:			Status: Standard	
Spare part:	False	Quick search:	POTGM	© All rights reserved. Reproduction is not permitted without written permission of GOUDSMIT Magnetic Systems BV	Document number:	Doc.Rev:
Description:	PM-BA-S-SG-D8x4.5				Part number:	Rev:
					E0119146	-
					GM17102	-