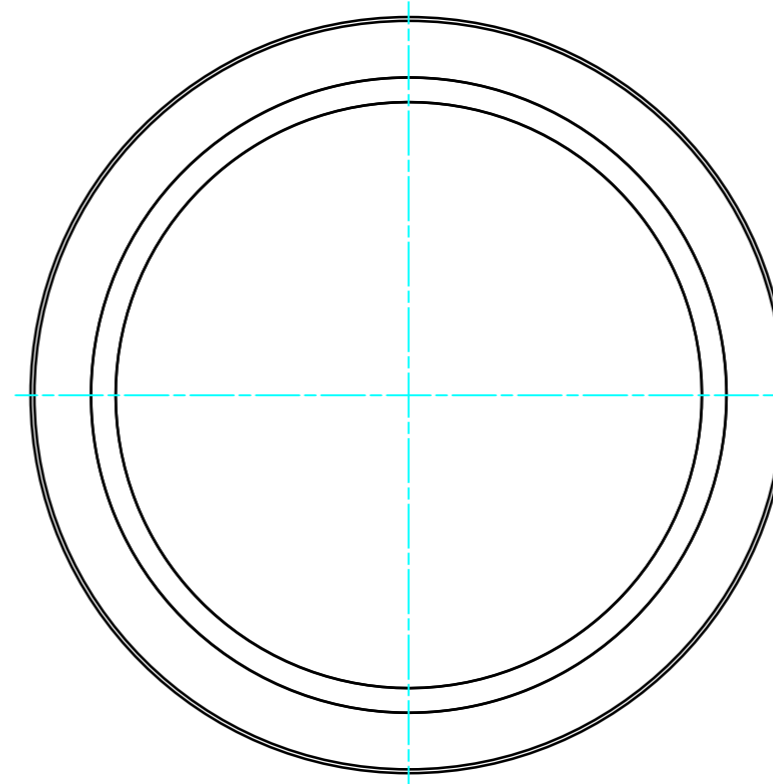
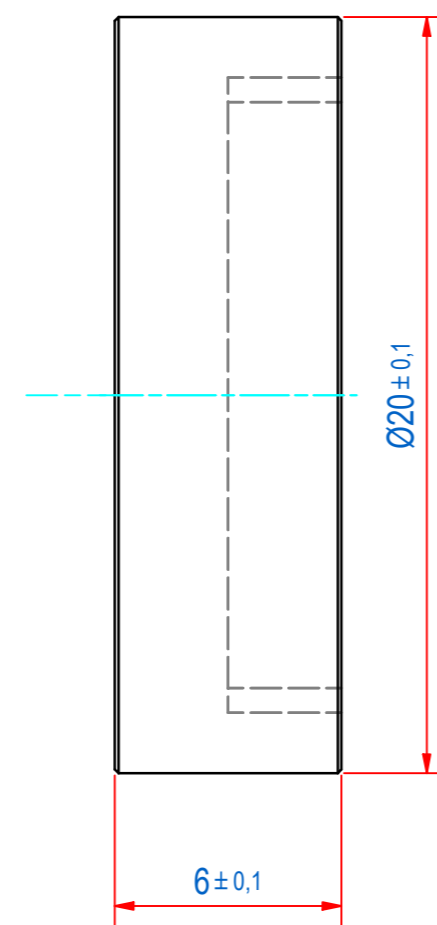
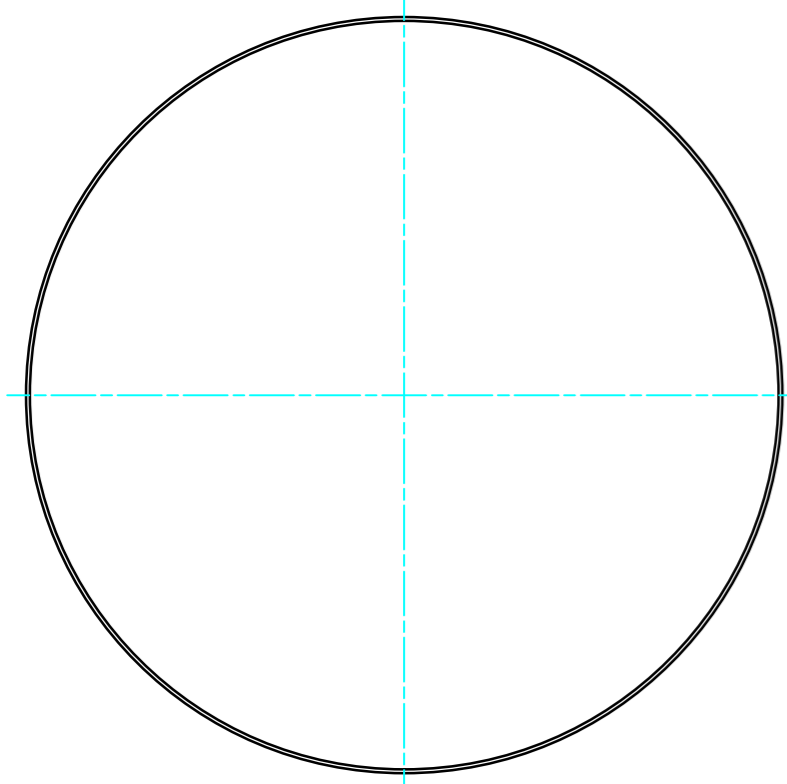
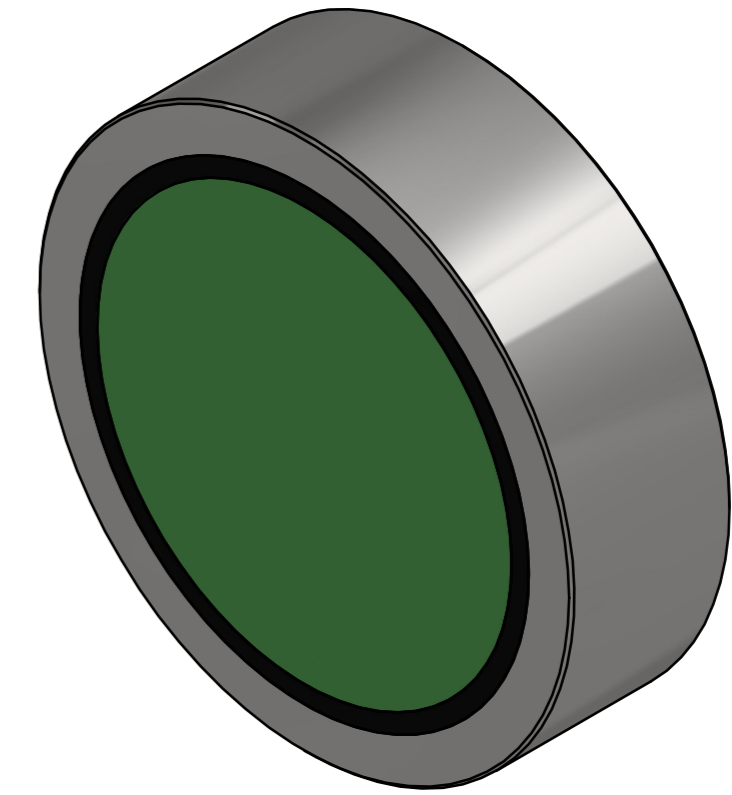
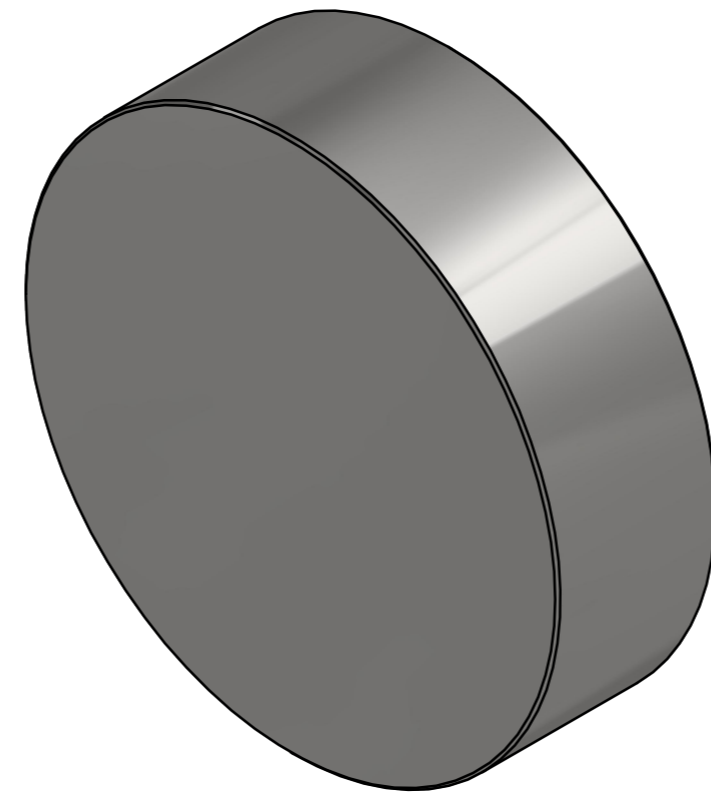


DOC.NR.	REV	DATE	BY	DESCRIPTION
E0119259	-	30-9-2019	PV	ORIGINAL DRAWING



SURFACE TREATMENT: ZINC PLATED

RAW MAT.	1	Quantity	Material Number	Material Description	Length (mm)	Width (mm)
Symbol	Sheet: A2	Extra info:	POTMAGNET SAMARIUM-COBALT		General tolerance: ISO 2768- mK	
Drawn: PV	Weight (kg): 0,014	Date: 19-7-2019	GOUDSMIT MAGNETICS		Drawn according: ISO268; ISO1101; ISO2553	
Spare part: False	Source:	Quick search: POTGM	© All rights reserved. Reproduction is not permitted without written permission of GOUDSMIT Magnetic Systems BV		Status: Standard	
Description:	PM-BA-S-SG-D20x6			Document number: E0119259	Doc.Rev: -	Part number: GM17106