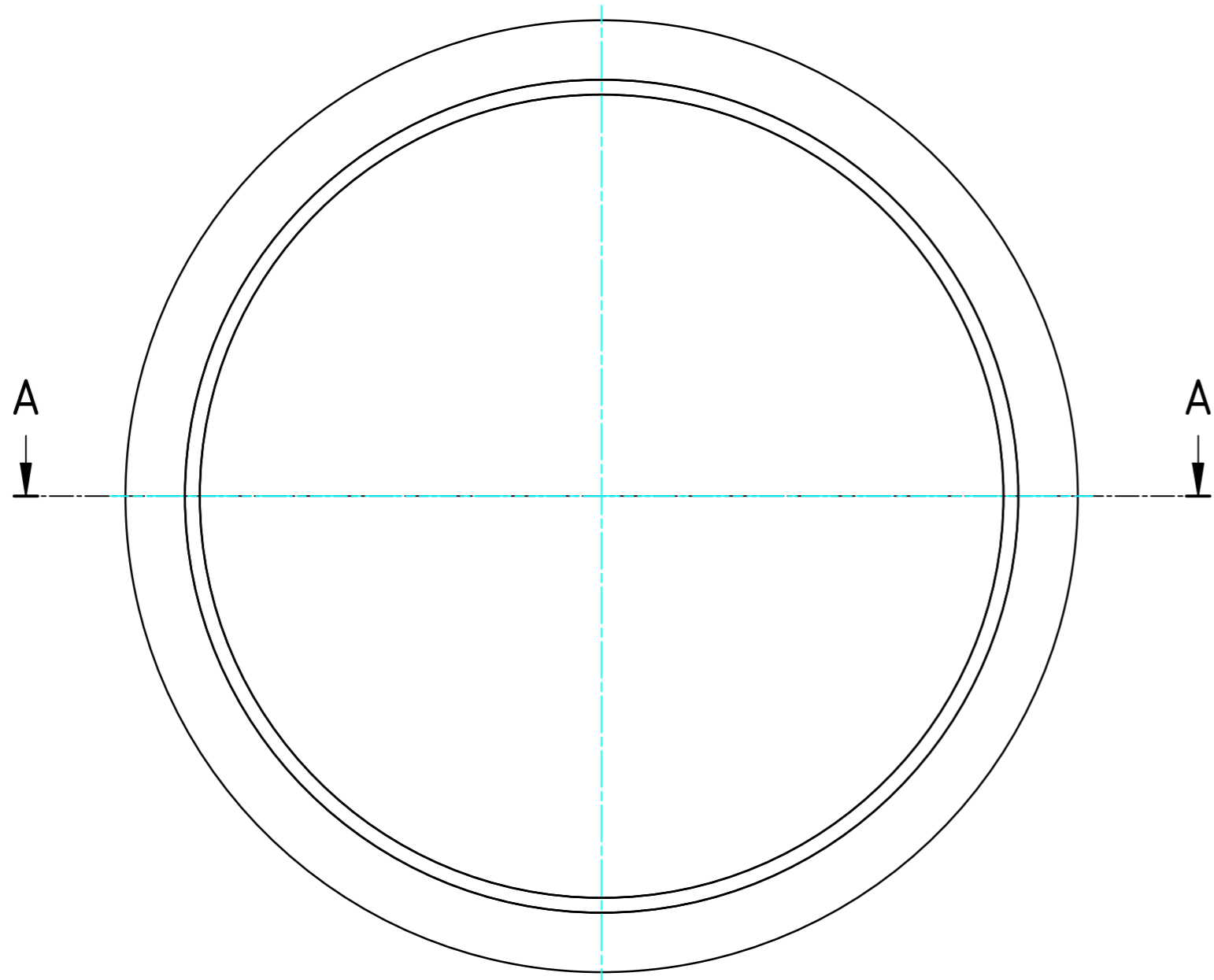
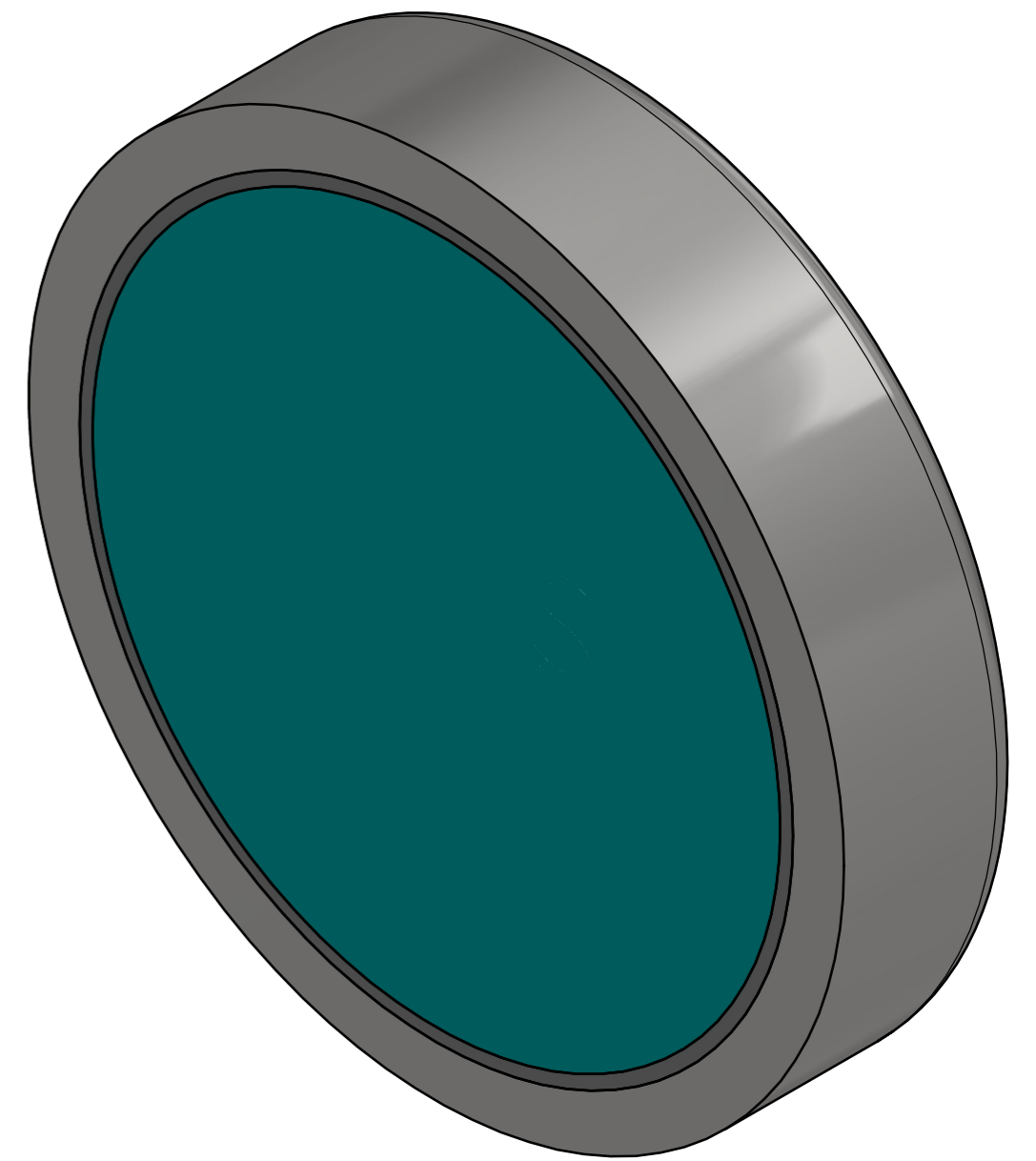
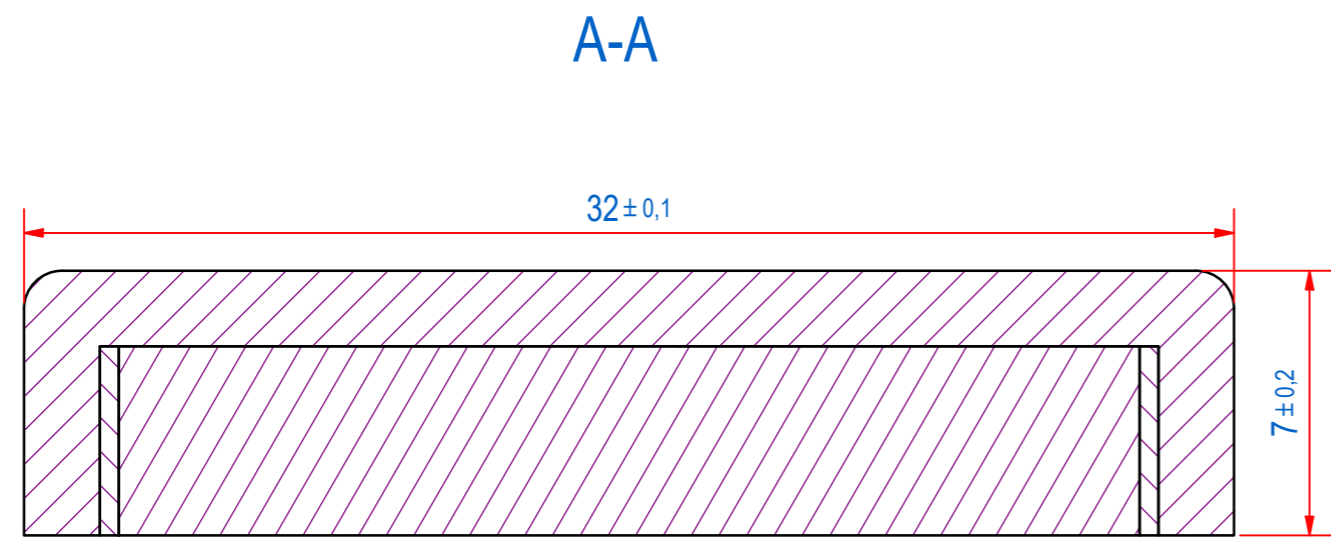


DOC.NR.	REV	DATE	BY	DESCRIPTION
GM17108	-	8-7-2020	TM	ORIGINAL DRAWING



RAW MAT.	1								
Quantity		Material Number		Material Description		Length (mm)		Width (mm)	
Sheet:	A2	Extra info:	POTMAGNET SmCo	General tolerance:	ISO 2768 - mK				
Drawn:	TM	Weight (kg):	0,042	Drawn according:	ISO268; ISO1101; ISO2553				
Date:	8-7-2020			Status:	Standard				
Spare part:	False	Source:		Customer reference number:	F32-SCBv				
Quick search:	POTGM			Document number:	GM17108	Doc.Rev:			
Description:				Part number:	GM17108	Rev:			
					PM-BA-S-SG-D32x7				



© All rights reserved. Reproduction is not permitted without written permission of GOUDSMIT Magnetic Systems BV