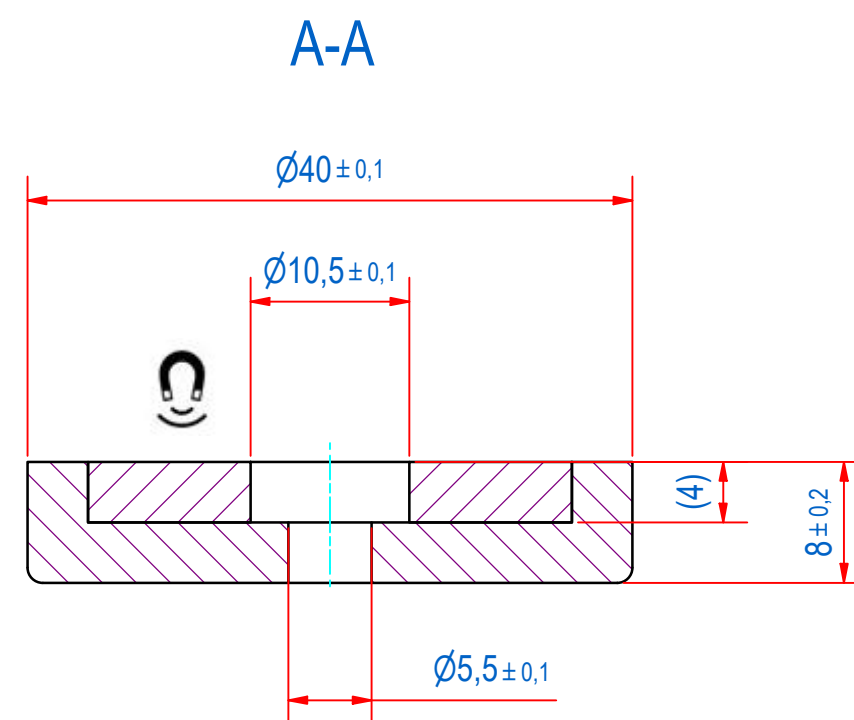
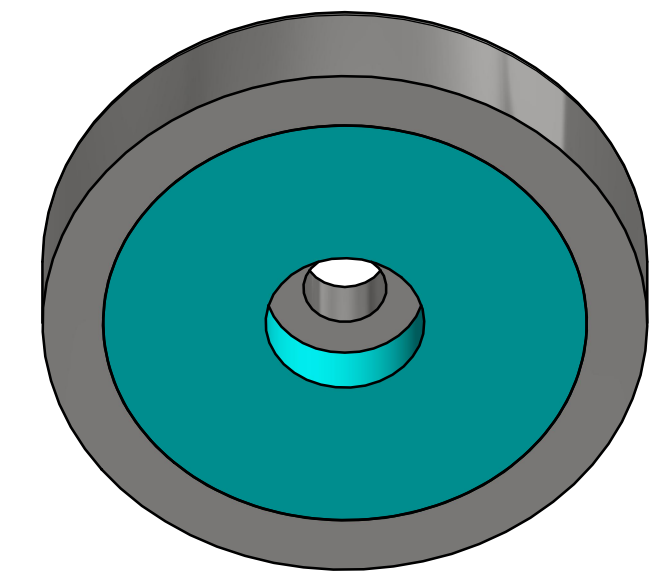
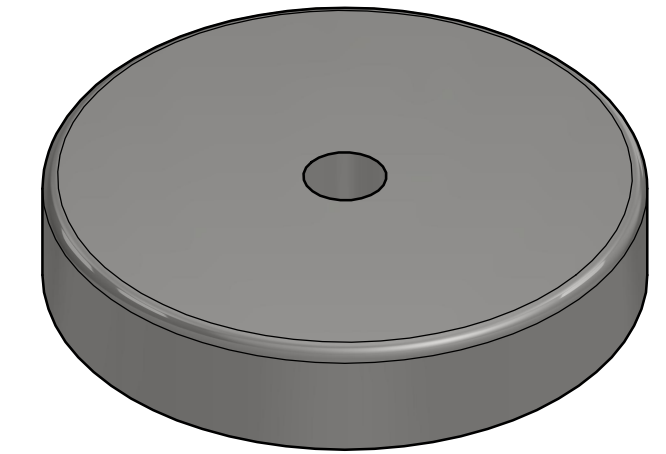
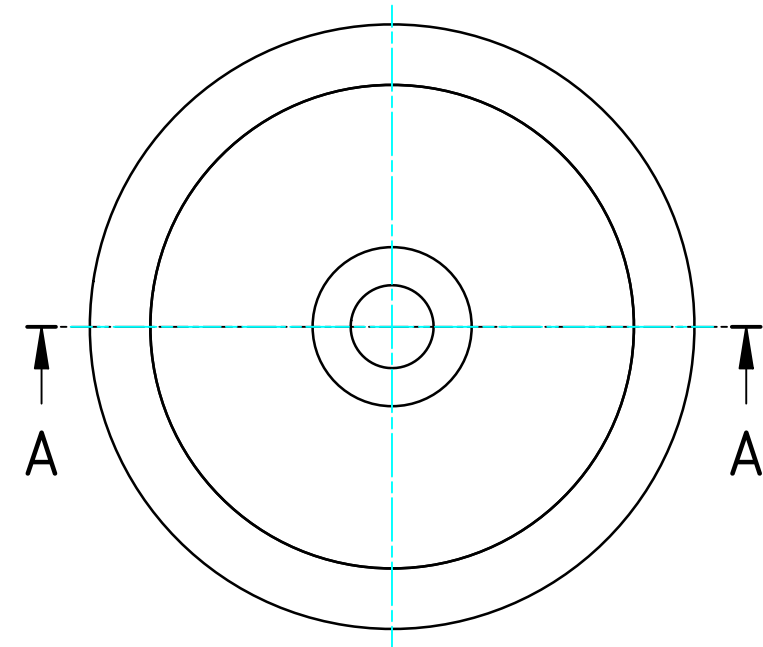


| DOC.NR. | REV | DATE | BY | DESCRIPTION |
|---------|-----|-----------|----|------------------|
| GM17114 | - | 25-5-2021 | TM | ORIGINAL DRAWING |



| | | | | | |
|---------------|----------------------------|-----------------|----------------------|----------------------------|-----------------------------|
| RAW MAT. | Quantity | Material Number | Material Description | Length (mm) | Width (mm) |
| | 1 | | | | |
| Sheet: | A2 | Extra info: | POTMAGNET SmCo | General tolerance: | ISO 2768 - cL |
| Drawn: | TM | Weight (kg): | 0,078 | Drawn according: | ISO 268; ISO 1101; ISO 2553 |
| Date: | 25-5-2021 | | | Status: | Standard |
| Spare part: | False | Source: | | Customer reference number: | |
| Quick search: | POTGM | | | Document number: | GM17114 |
| Description: | PM-HB-S-SS-D40x8xd5.5/10.5 | | | Part number: | GM17114 |
| | | | | Doc.Rev: | - |
| | | | | Rev: | - |



© All rights reserved. Reproduction is not permitted without written permission of GOUDSMIT Magnetic Systems BV