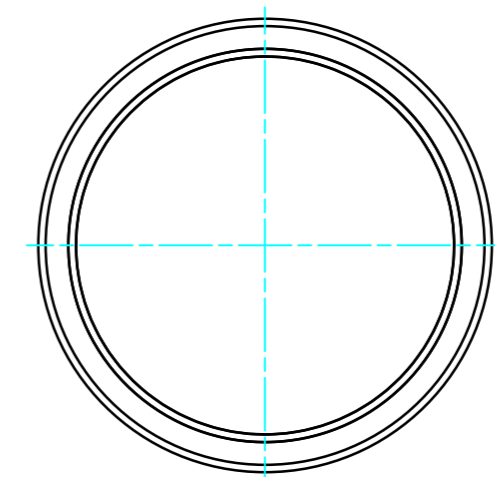
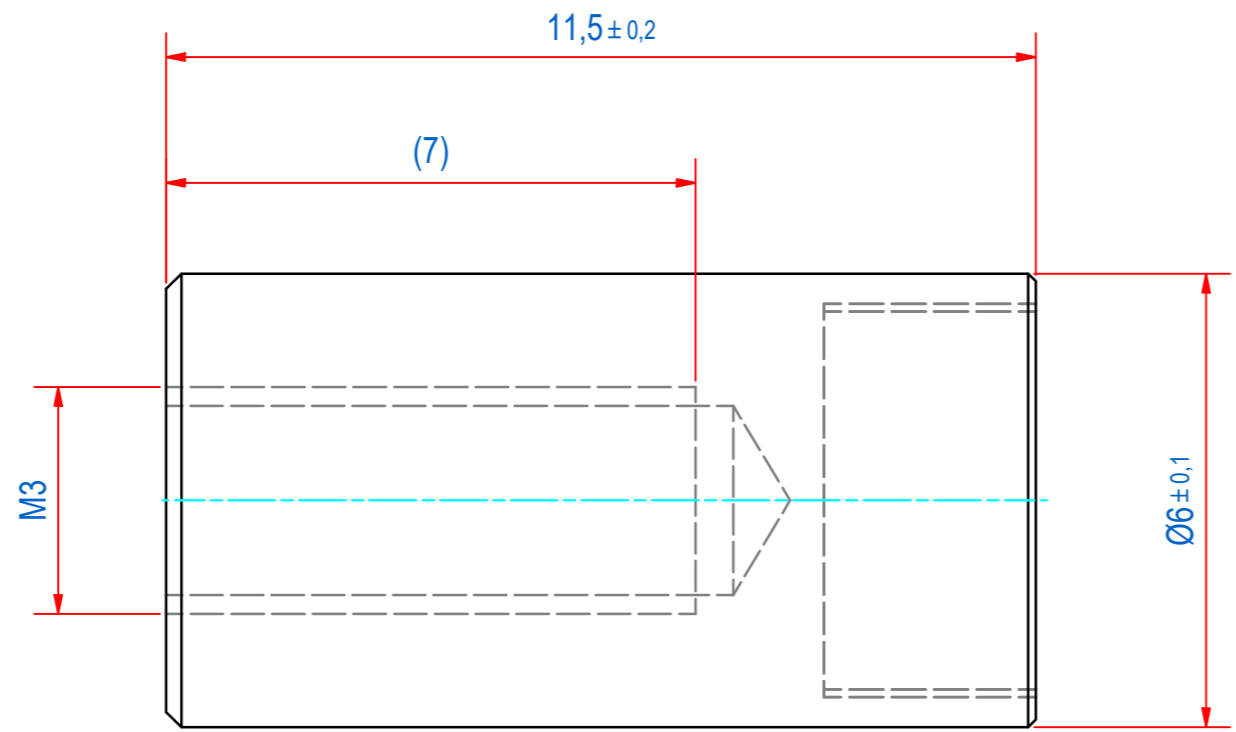
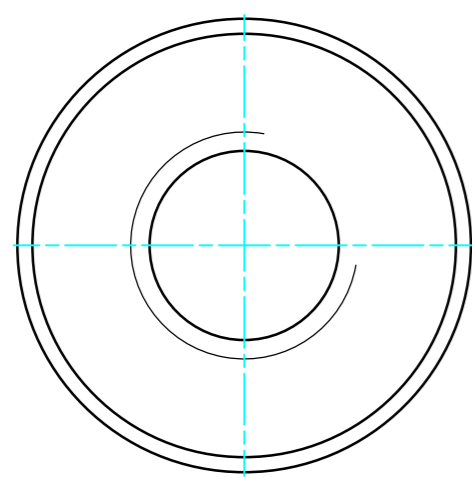
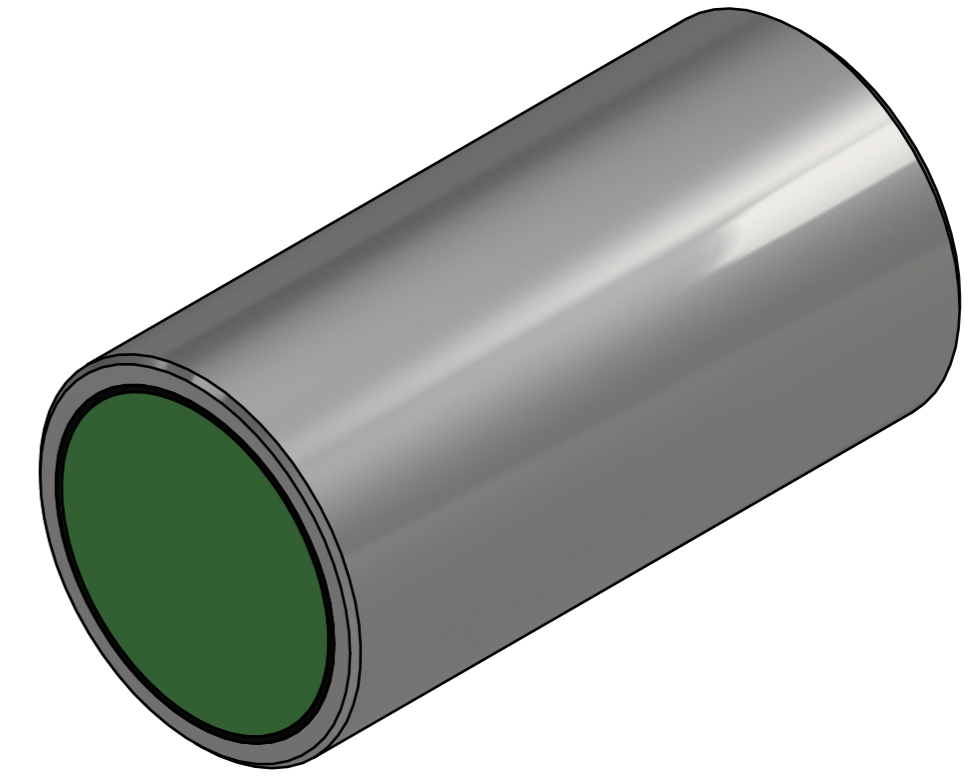
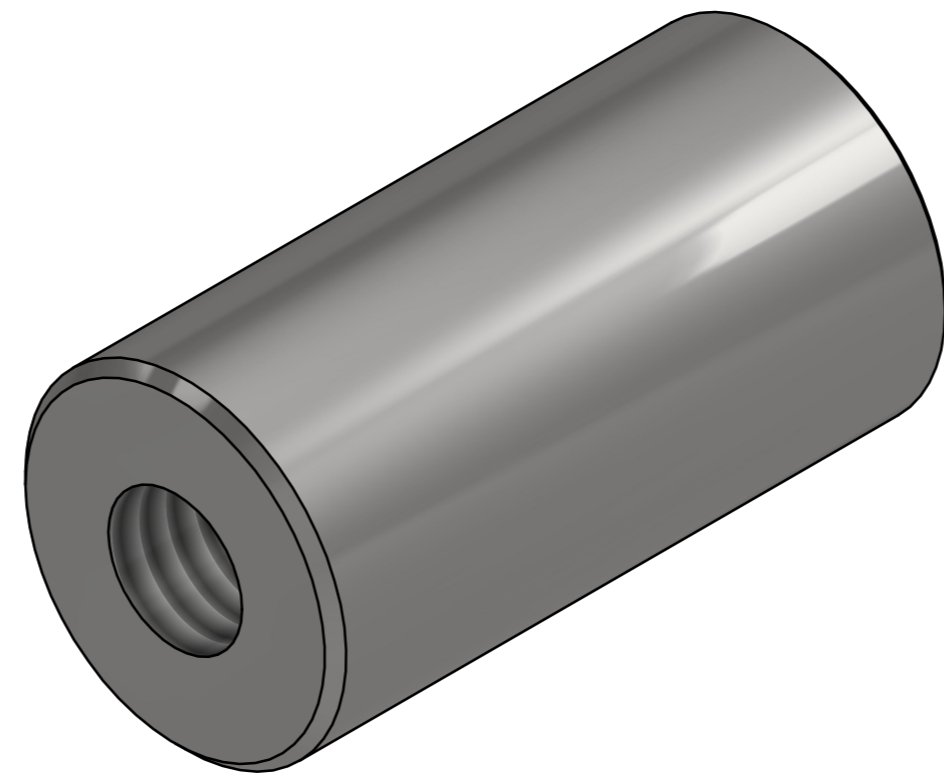


DOC.NR.	REV	DATE	BY	DESCRIPTION
E0119271	-	30-9-2019	PV	ORIGINAL DRAWING
GM17201	A	16-3-2020	PB	NOTHING CHANGED



SURFACE TREATMENT: ZINC PLATED

RAW MAT.	1	Quantity	Material Number	Material Description	Length (mm)	Width (mm)
Sheet:	A2	Extra info:	POTMAGNET SAMARIUM-COBALT		General tolerance: ISO 2768- mK	
Drawn:	PV	Weight (kg):	0,002		Drawn according: ISO268; ISO1101; ISO2553	
Date:	19-7-2019	Source:			Status: Standard	
Spare part:	False	Quick search:	POTGM	<small>© All rights reserved. Reproduction is not permitted without written permission of GOUDSMIT Magnetic Systems BV</small>	Document number:	Doc.Rev: A
Description:	PM-TB-S-SG-D6x11.5xM3			Part number:	Rev:	A
				GM17201		