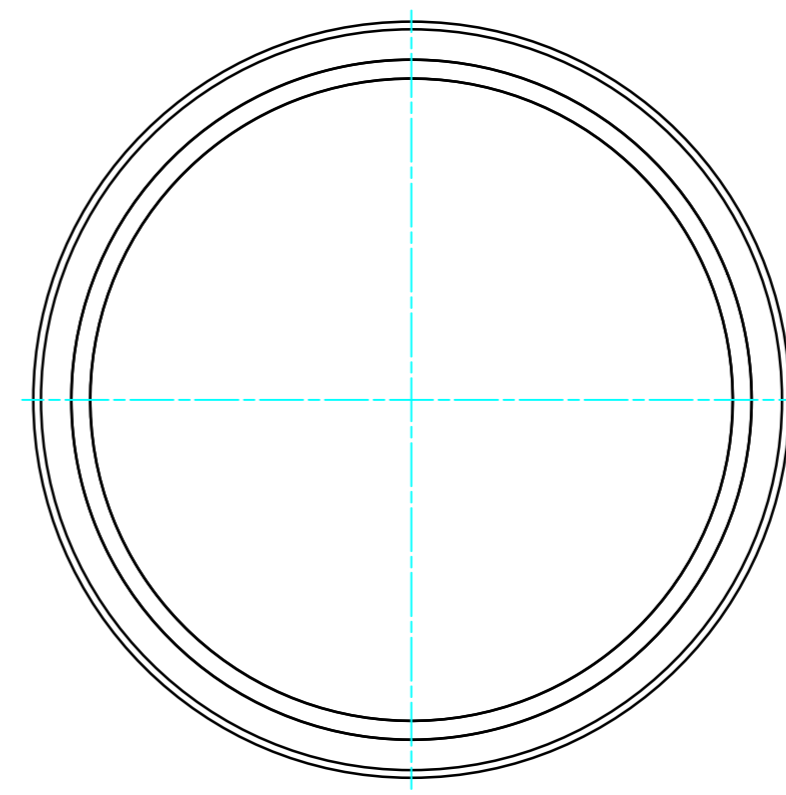
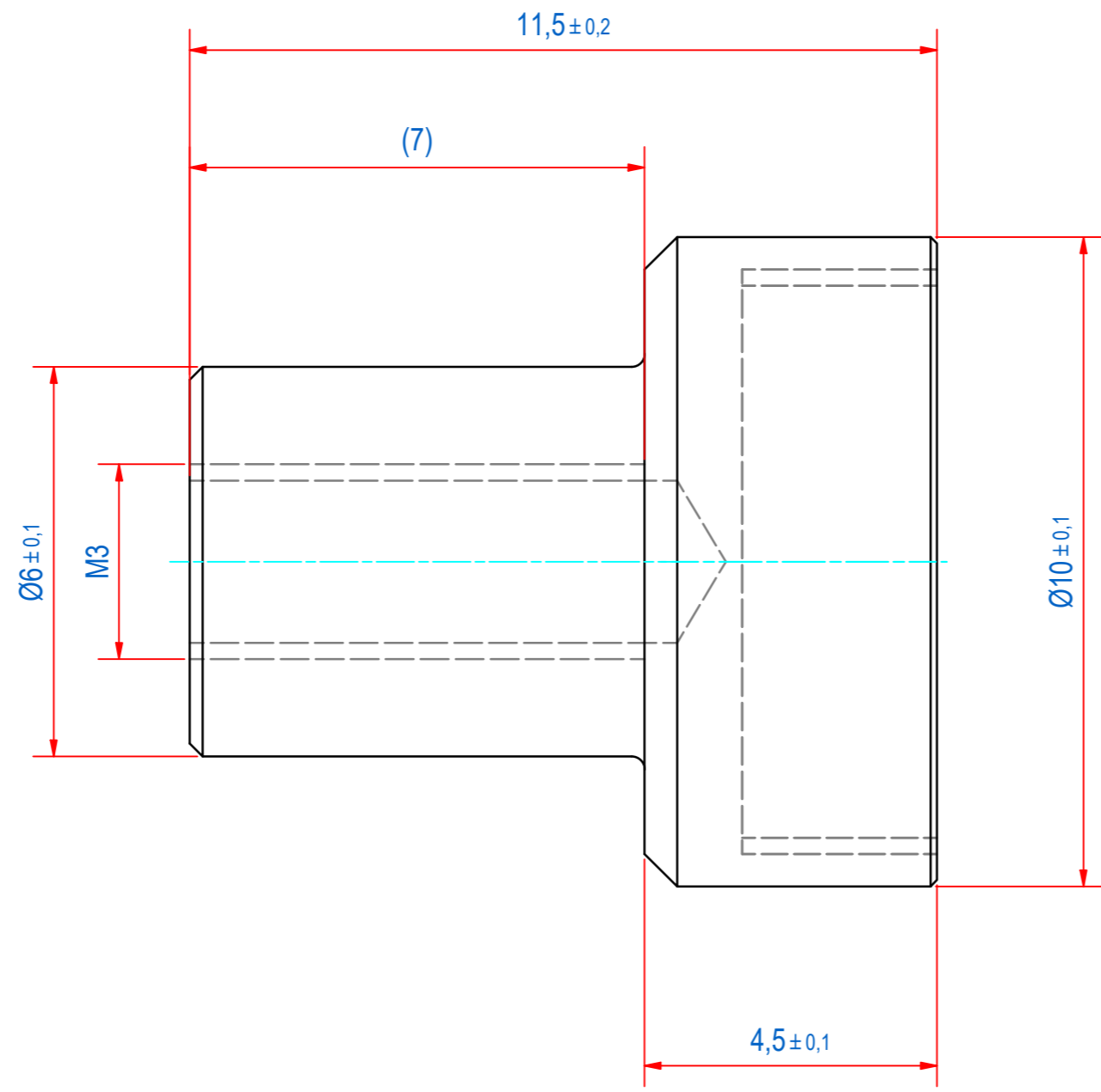
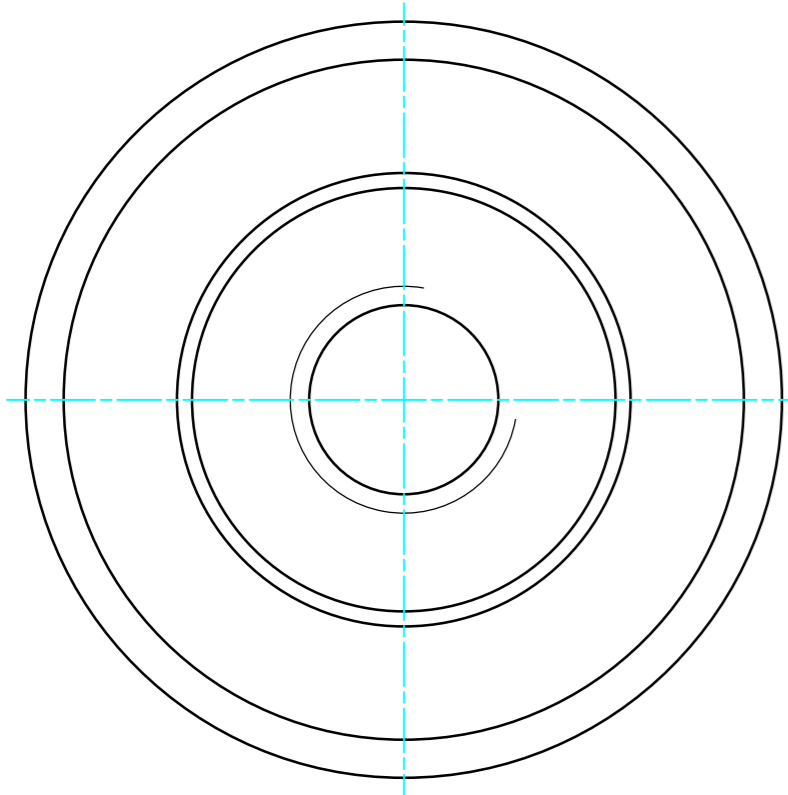
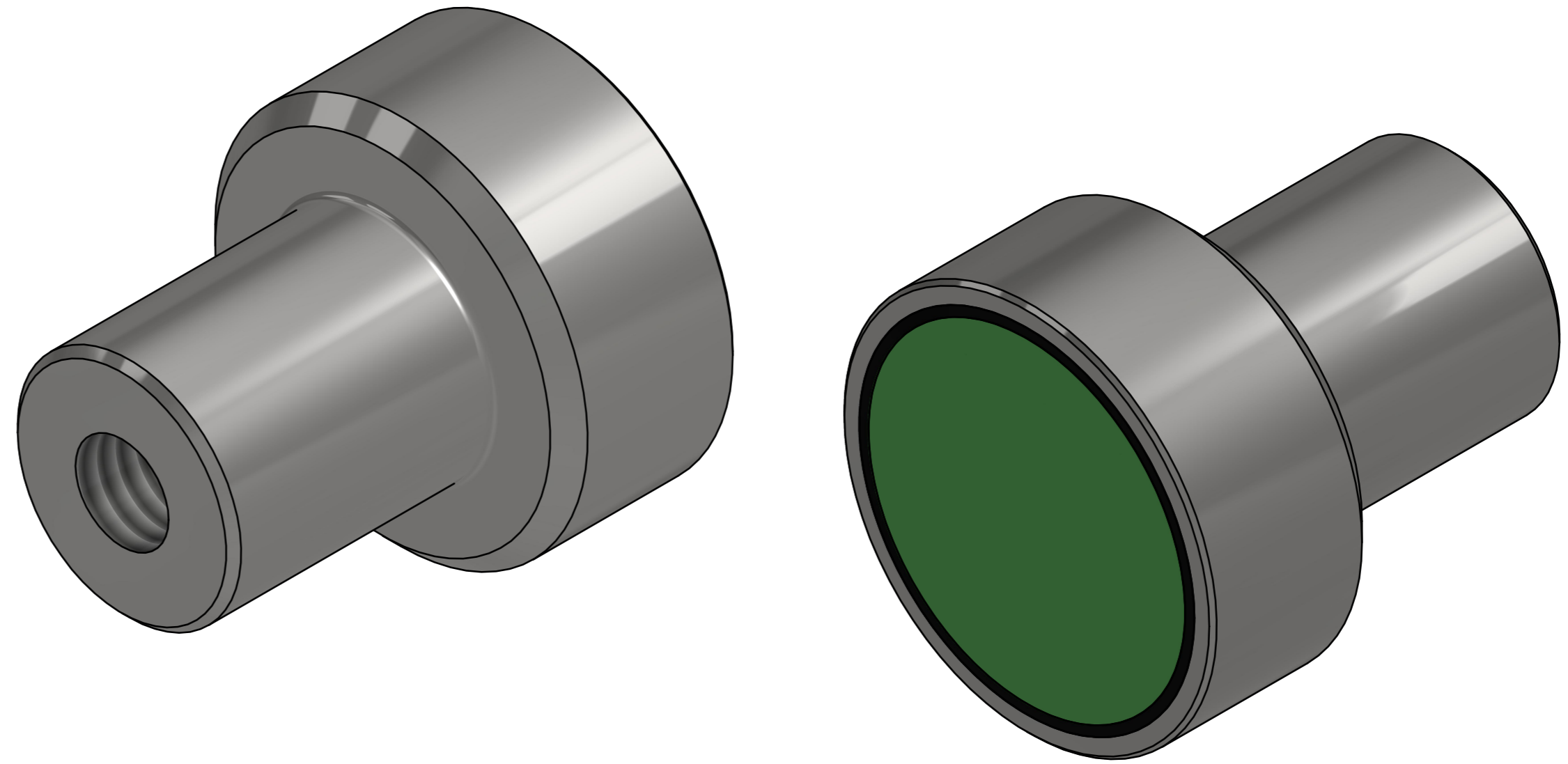


DOC.NR.	REV	DATE	BY	DESCRIPTION
GM17203	-	30-9-2019	PV	ORIGINAL DRAWING



SURFACE TREATMENT: ZINC PLATED

RAW MAT.	1	Quantity	Material Number	Material Description	Length (mm)	Width (mm)
Sheet:	A2	Extra info: POTMAGNET SAMARIUM-COBALT		General tolerance: ISO 2768- mK		
Drawn:	PV	Weight (kg):	0,004	Drawn according: ISO268; ISO1101; ISO2553		
Date:	19-7-2019	Source:		Status: Standard		
Spare part:	False	Quick search: POTGM		Customer reference number:		
Description: PM-TB-S-SG-D10x4.5x11.5xM3				Document number: E0119287		Doc.Rev: -
				Part number: GM17203		Rev: -



© All rights reserved. Reproduction is not permitted without written permission of GOUDSMIT Magnetic Systems BV