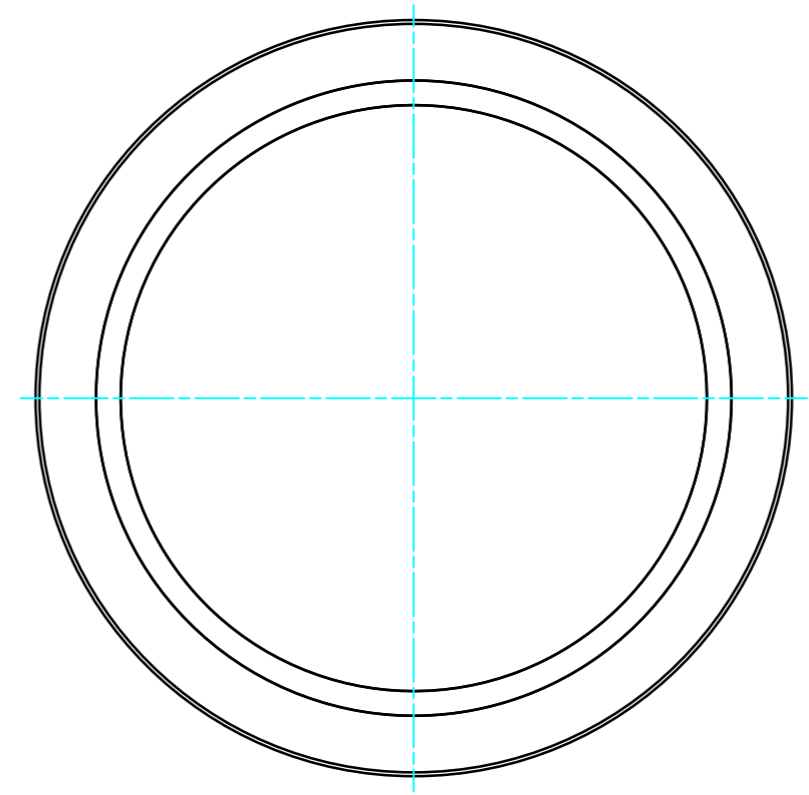
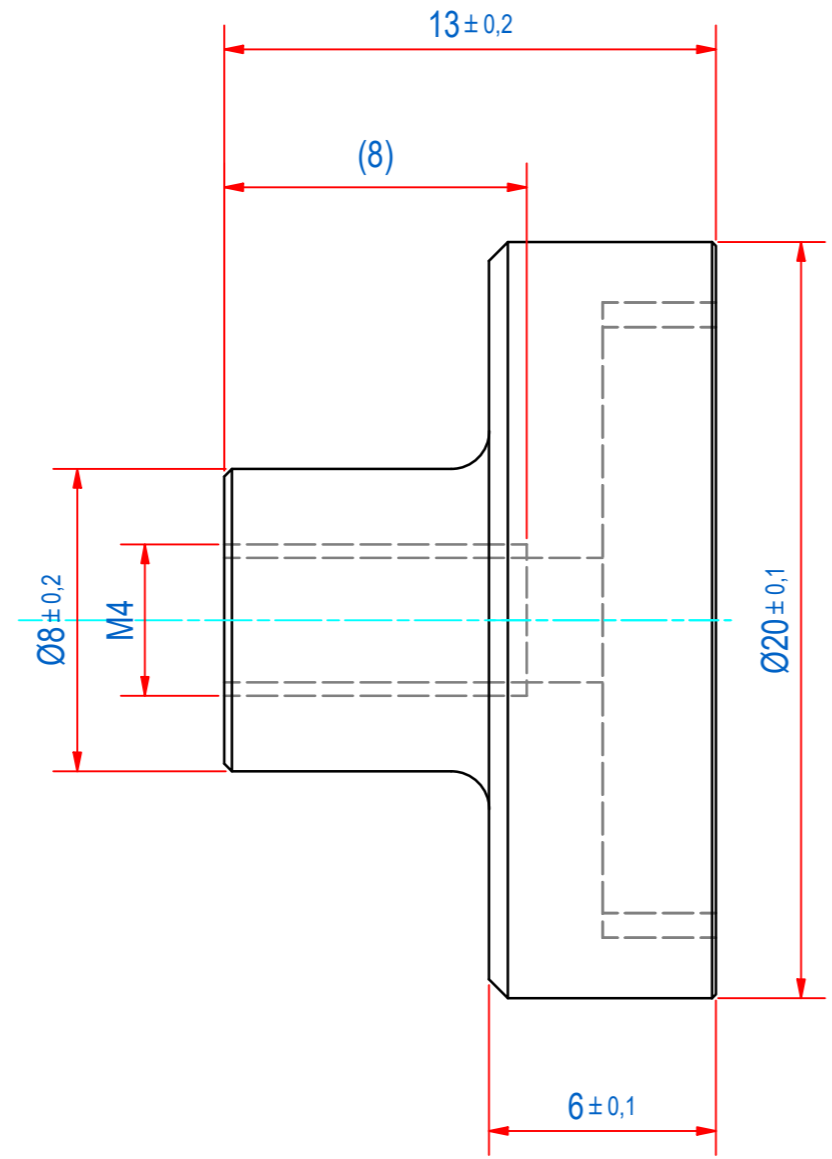
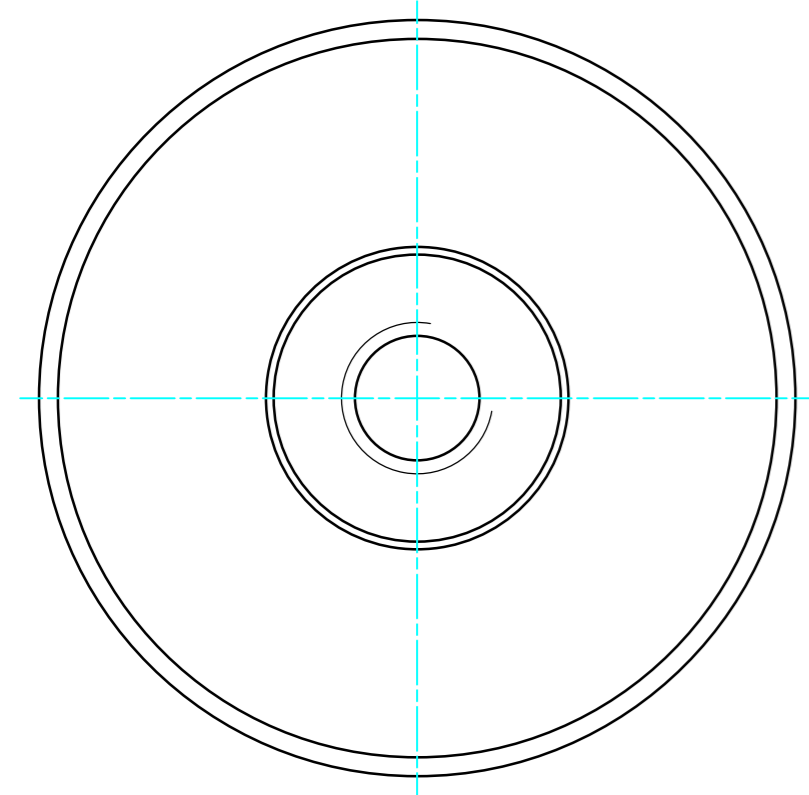
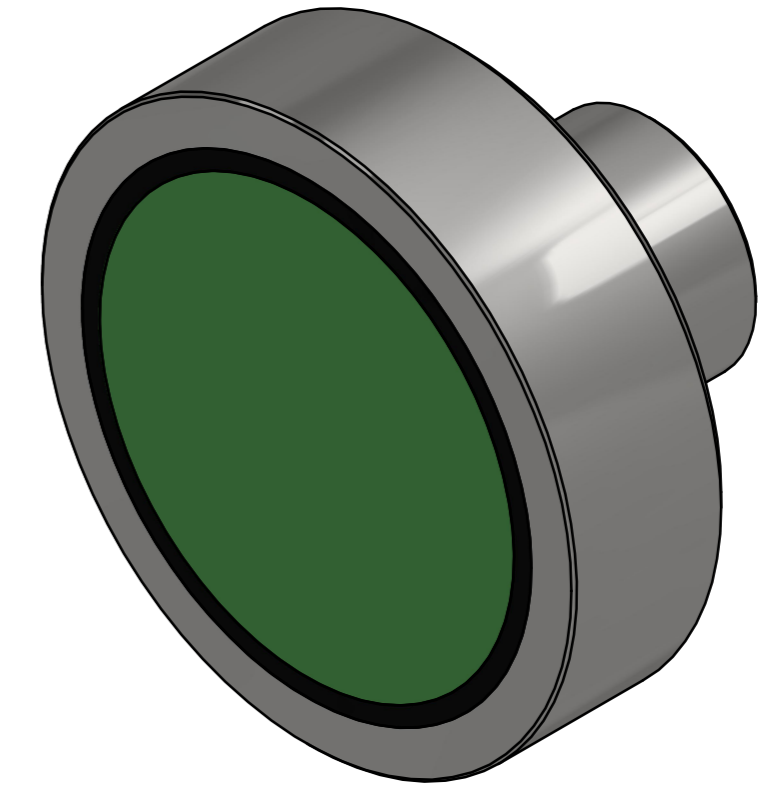
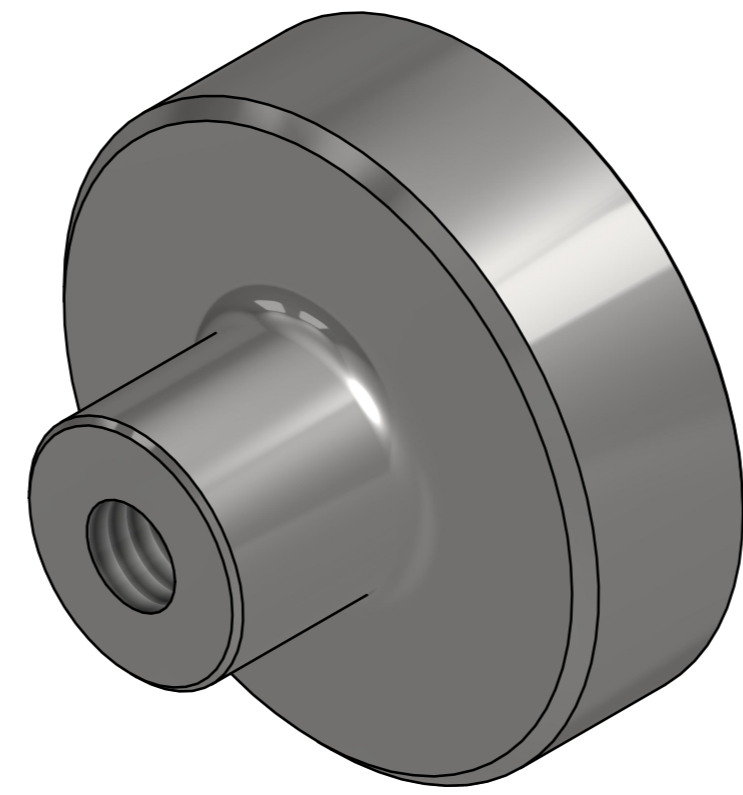


DOC.NR.	REV	DATE	BY	DESCRIPTION
E0119305	-	30-9-2019	PV	ORIGINAL DRAWING
GM17206	A	19-8-2020	TM	TOLERANCE Ø8 CHANGED



SURFACE TREATMENT: ZINC PLATED

RAW MAT.	1							
Quantity		Material Number		Material Description		Length (mm)		Width (mm)
Sheet:	A2	Extra info:	POTMAGNET SAMARIUM-COBALT		General tolerance:		ISO 2768- mK	
Drawn:	PV	Weight (kg):	0,016		Drawn according:		ISO268; ISO1101; ISO2553	
Date:	19-7-2019	Source:	GOUDSMIT MAGNETICS		Status:		Standard	
Spare part:	False	Quick search:	POTGM		Customer reference number:			
Description:	PM-TB-S-SG-D20x6x13xM4				Document number:		E0119305	Doc.Rev: A
					Part number:		GM17206	Rev: -