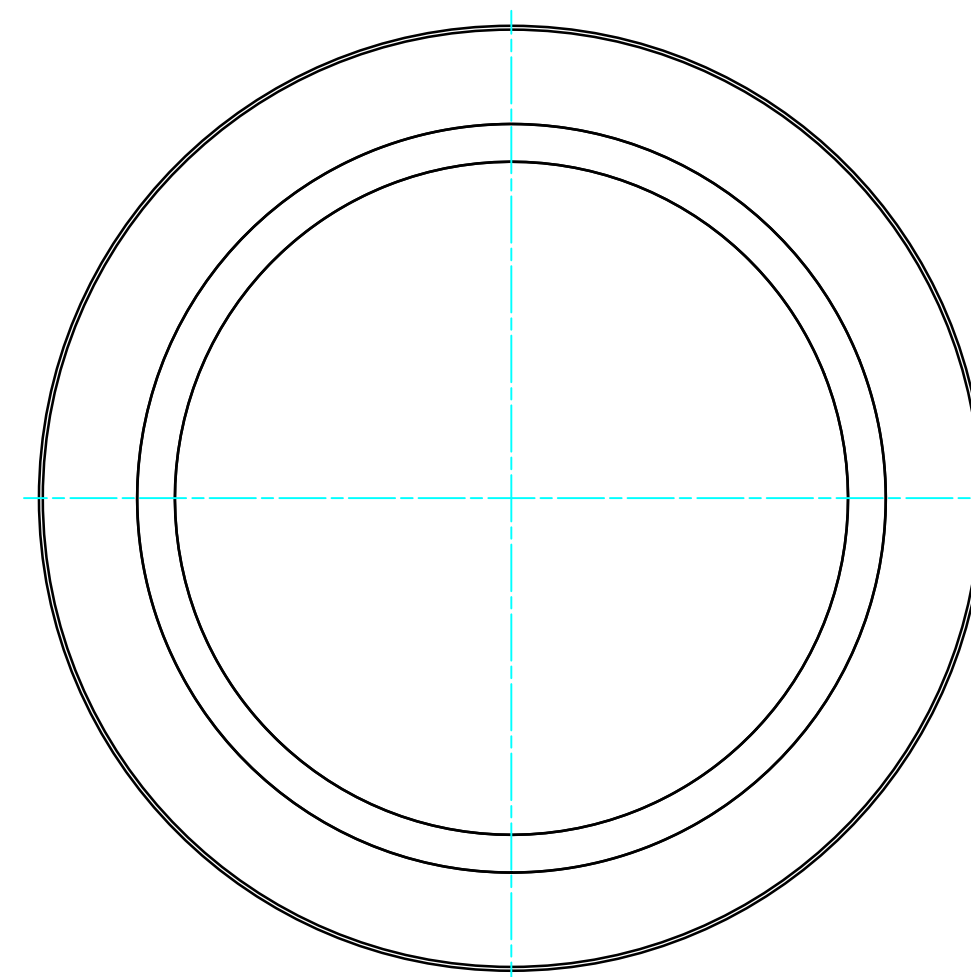
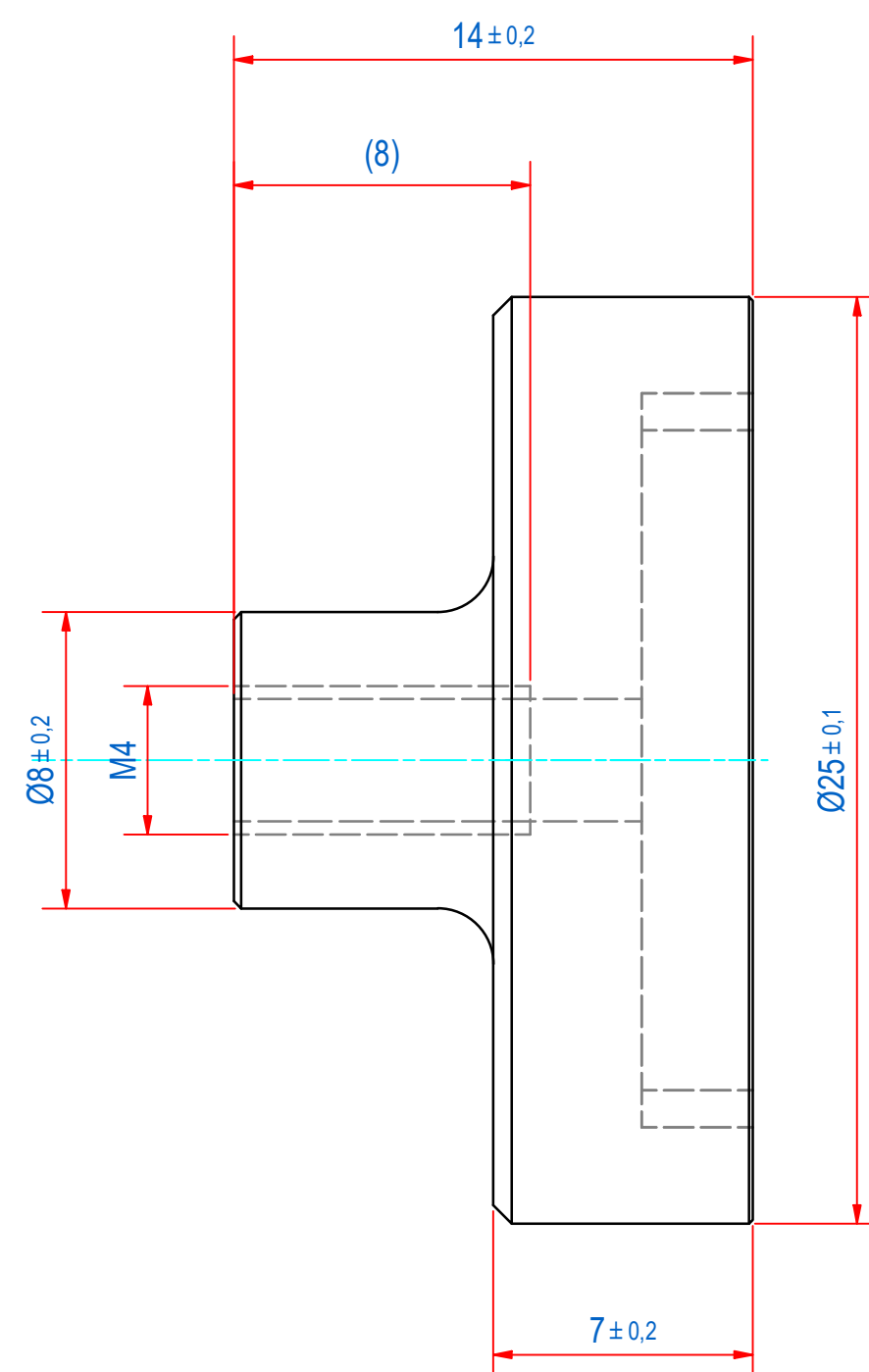
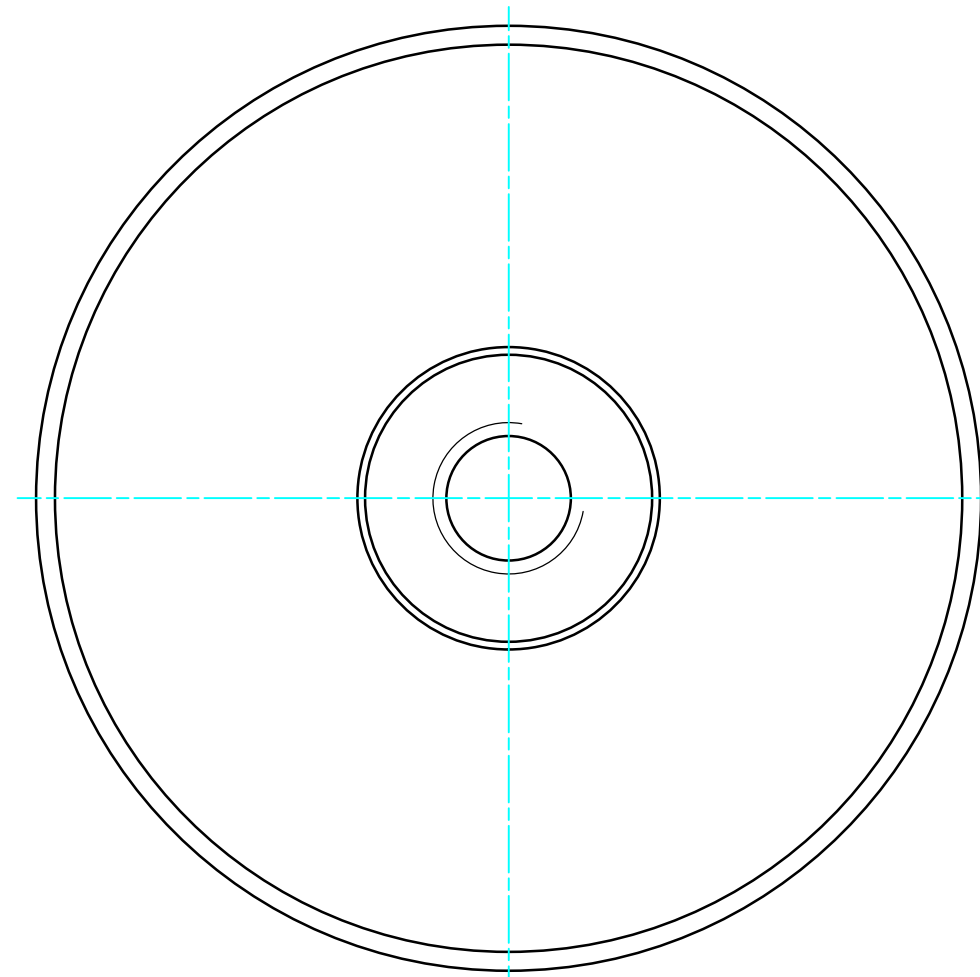
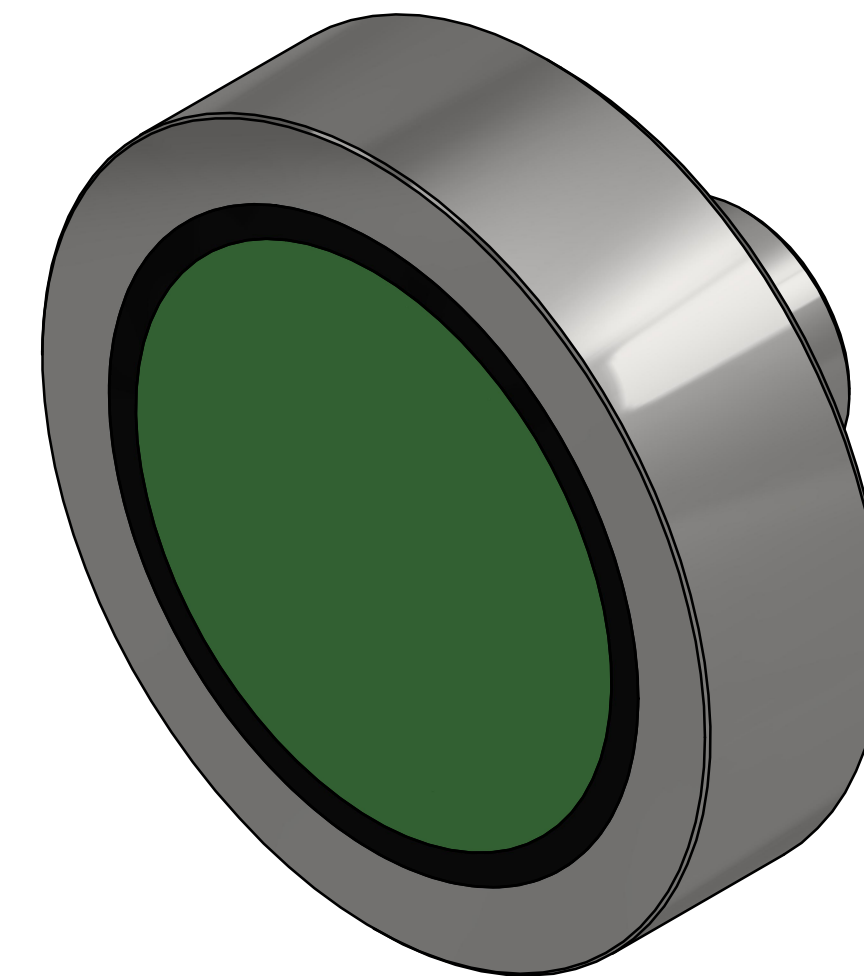
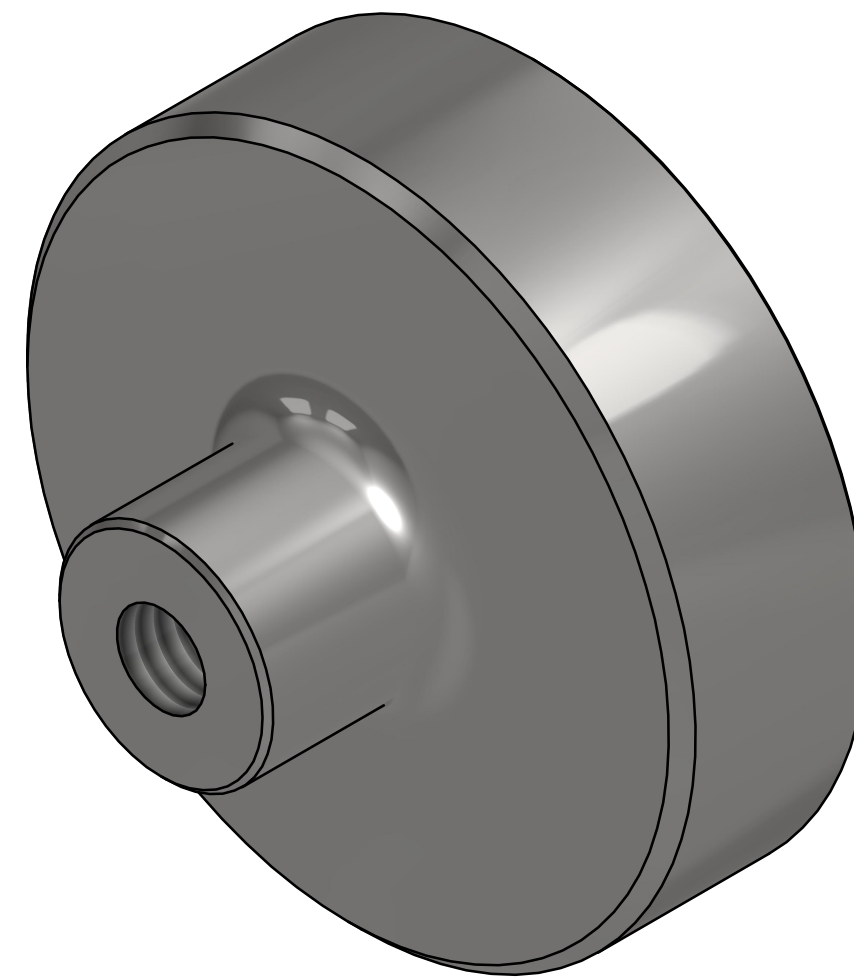


DOC.NR.	REV	DATE	BY	DESCRIPTION
E0119316	-	30-9-2019	PV	ORIGINAL DRAWING
GM17207	A	20-8-2020	TM	TOLERANCES CORRECTED



SURFACE TREATMENT: ZINC PLATED

RAW MAT.	1	Quantity	Material Number	Material Description	Length (mm)	Width (mm)	
Sheet:	A2	Extra info:	POTMAGNET SAMARIUM-COBALT			General tolerance:	ISO 2768- mK
Drawn:	PV	Weight (kg):	0,028			Drawn according:	ISO268; ISO1101; ISO2553
Date:	19-7-2019	Date:	19-7-2019			Status:	Standard
Spare part:	False	Source:	POTGM			Customer reference number:	
Quick search:	POTGM				Document number:	E0119316	
Description:	PM-TB-S-SG-D25x7x14xM4			<small>© All rights reserved. Reproduction is not permitted without written permission of GOUDSMIT Magnetic Systems BV</small>		Doc.Rev:	A
					Part number:	GM17207	
					Rev:	-	