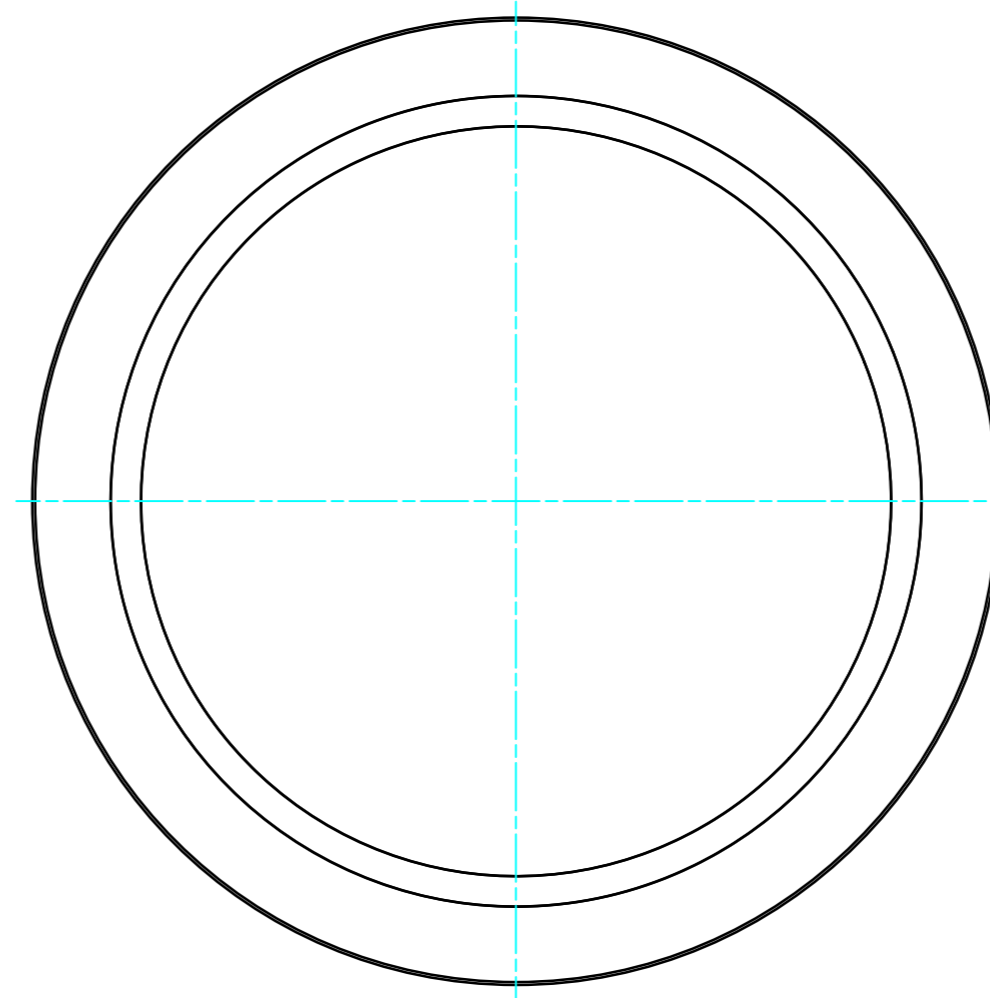
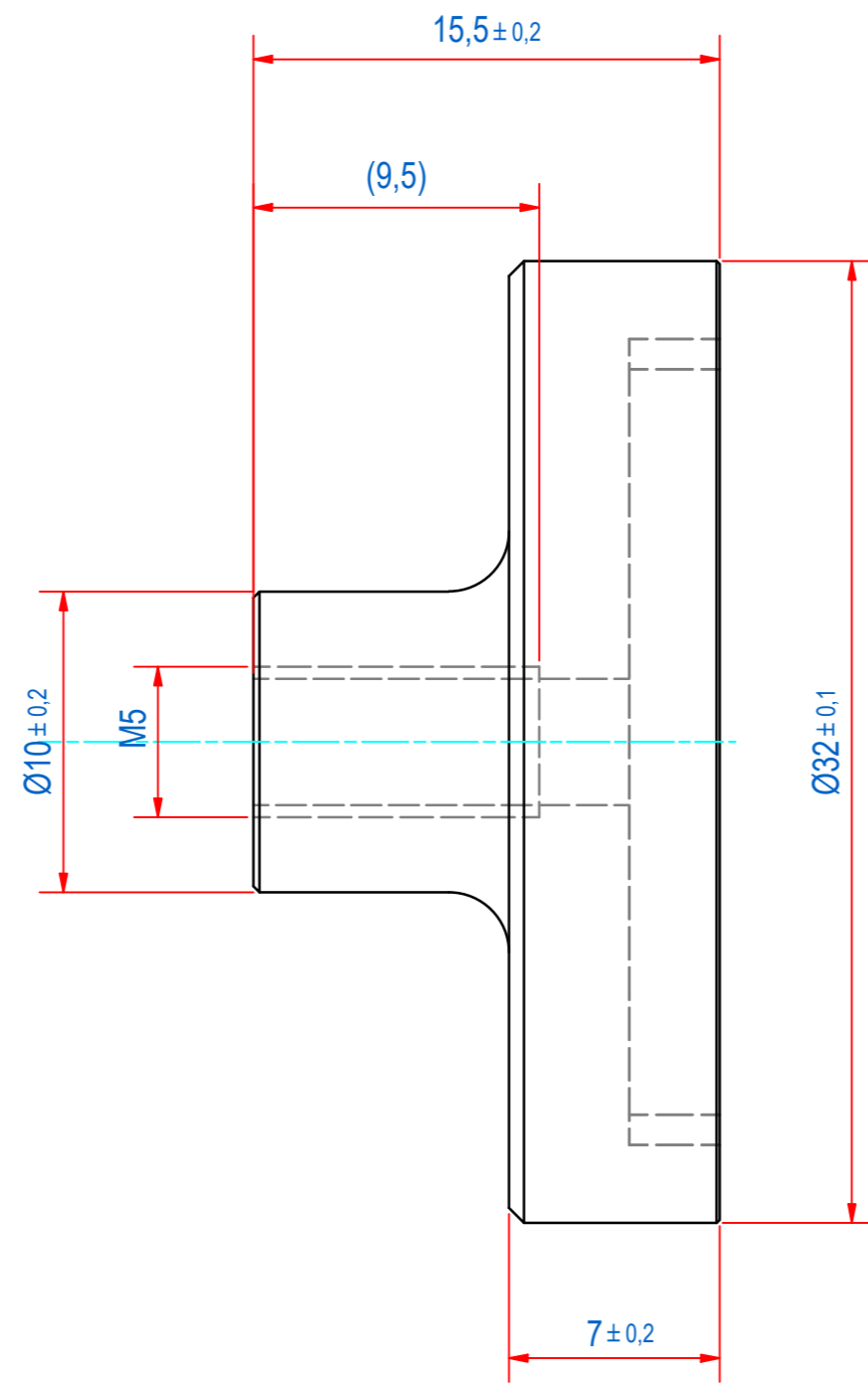
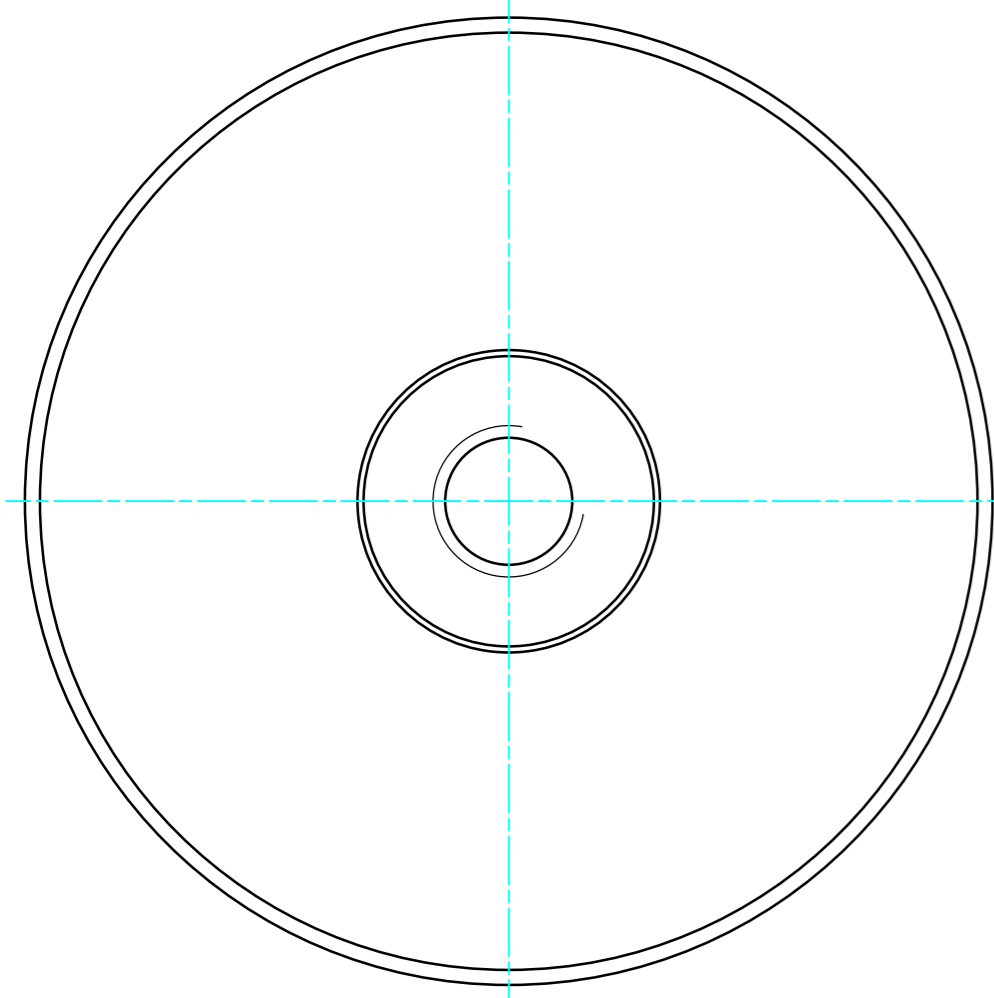
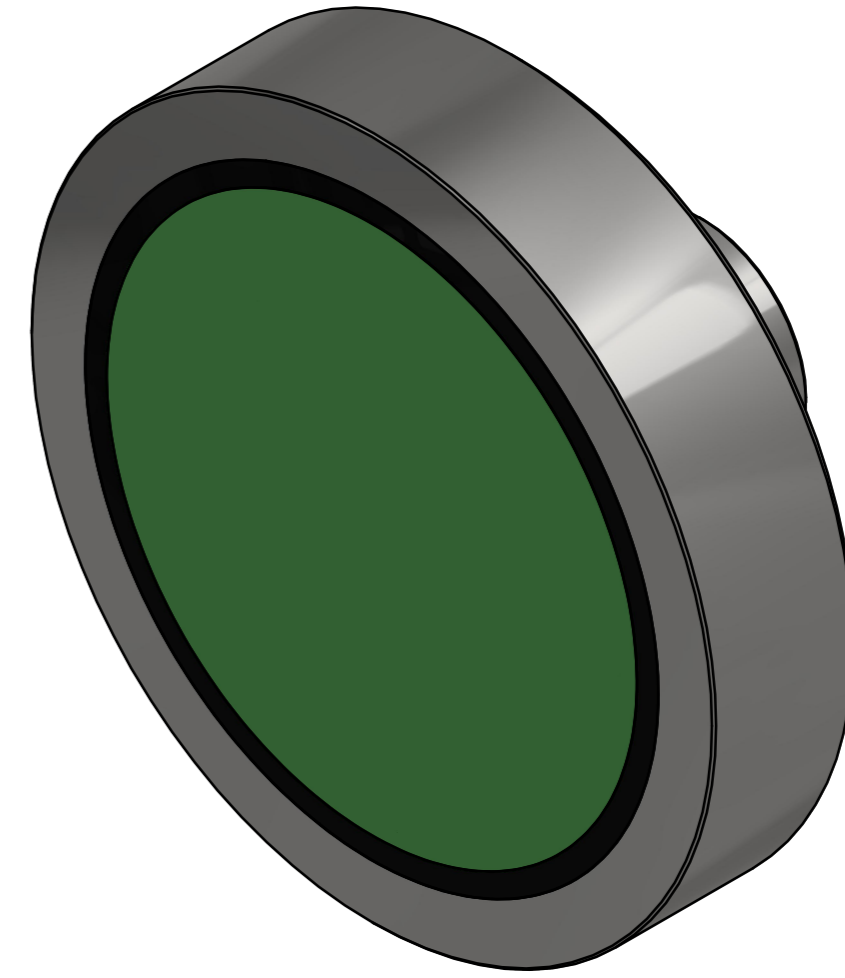
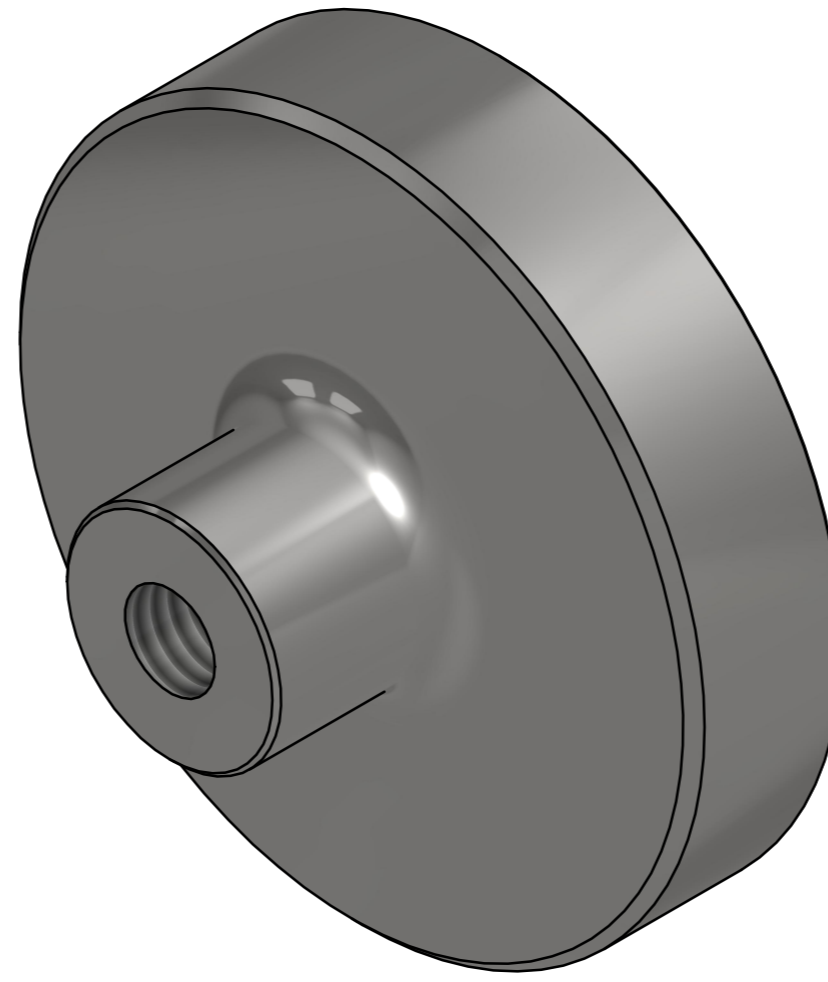


DOC.NR.	REV	DATE	BY	DESCRIPTION
E0119322	-	30-9-2019	PV	ORIGINAL DRAWING
GM17208	A	20-8-2020	TM	MODEL AND DRAWING CORRECTED



SURFACE TREATMENT: ZINC PLATED

RAW MAT.	Quantity: 1	Material Number	Material Description	Length (mm)	Width (mm)
Sheet:	A2	Extra info: POTMAGNET SAMARIUM-COBALT		General tolerance: ISO 2768- mK	
Drawn:	PV	Weight (kg): 0,047	Drawn according: ISO268; ISO1101; ISO2553		Status: Standard
Date:	19-7-2019	Source:		Customer reference number:	
Spare part:	False	Quick search: POTGM		Document number: E0119322	Doc.Rev: A
Description: PM-TB-S-SG-D32x7x15.5xM5			Part number: GM17208		Rev: A



© All rights reserved. Reproduction is not permitted without written permission of GOUDSMIT Magnetic Systems BV