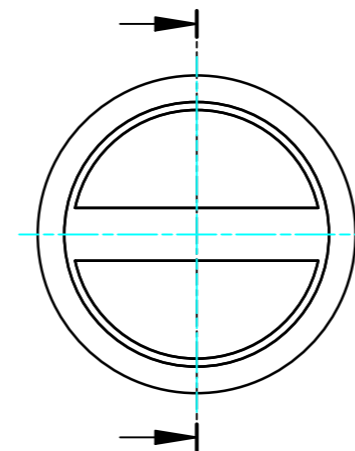
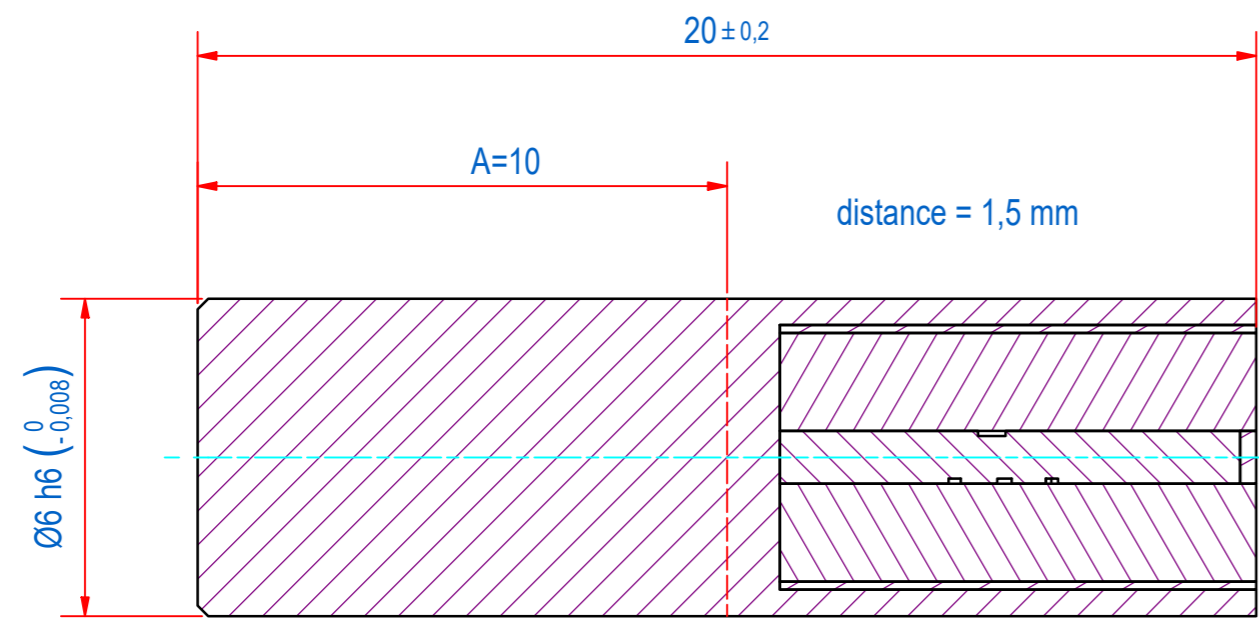
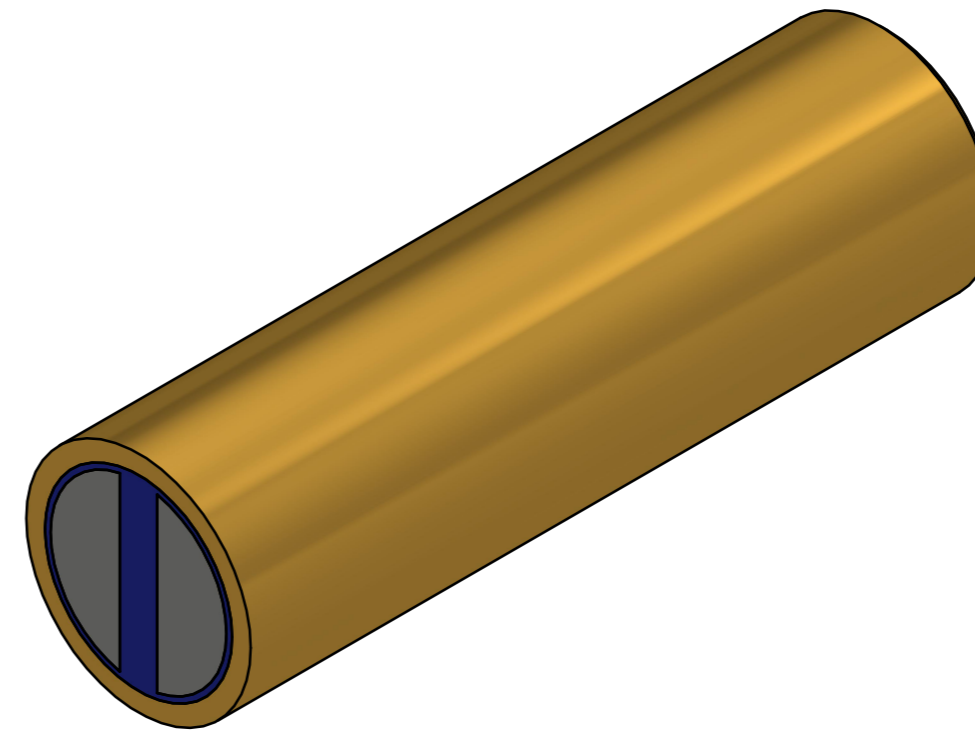
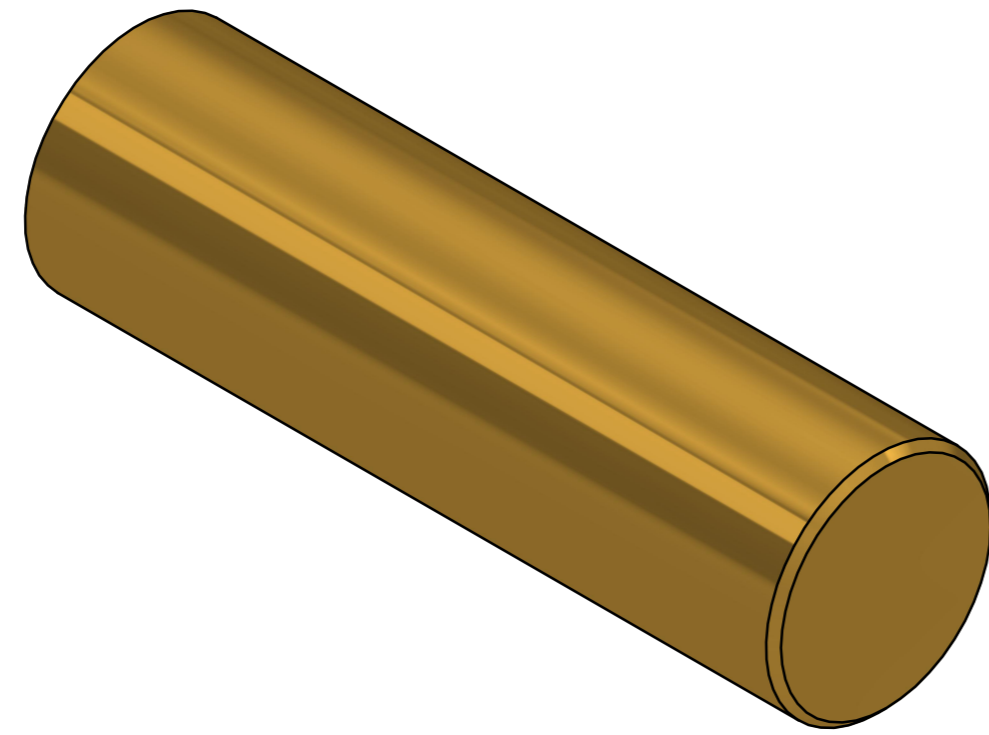



DOC.NR.	REV	DATE	BY	DESCRIPTION
GM17301	-	30-9-2019	PV	ORIGINAL DRAWING



DIRECT MOUNTING OF THE BAR MAGNET IN IRON REDUCES THE HOLDING FORCE BY UP TO 15% DUE TO MAGNETIC SHORT-CIRCUITING. TO AVOID THIS, CERTAIN DISTANCES SHOULD BE MAINTAINED BETWEEN THE BRASS CASING OF THE BAR MAGNET AND THE IRON. THE DISTANCES SHOULD ALSO BE OBSERVED IF THE BAR MAGNET IS SHORTENED WITH DIMENSION A. PLEASE REFER TO THE DISTANCE IN THE DRAWING (distance mm).

RAW MAT.	1								
Quantity		Material Number		Material Description		Length (mm)		Width (mm)	
Sheet:	A2	Extra info:	POT MAGNET NEODYMIUM		General tolerance:		ISO 2768- mK		
Drawn:	PV	Weight (kg):	0,005		Drawn according:		ISO268; ISO1101; ISO2553		
Date:	30-8-2019	Status:	Standard		Customer reference number:				
Spare part:	False	Source:			Document number:		E0121790	Doc.Rev:	-
Quick search:	POTGM	© All rights reserved. Reproduction is not permitted without written permission of GOUDSMIT Magnetic Systems BV		Part number:		GM17301			
Description:	PM-BA-N-BR-D6h6x20				Rev:				